

CALIBRATION and SERVICING HANDBOOK

Volume 2

1271

selfcal digital multimeter



CALIBRATION and SERVICING HANDBOOK

for

THE DATRON 1271

SELF CAL DIGITAL MULTIMETER

Volume 2 Reference

For any assistance contact your nearest Datron Sales and Service center.
Addresses can be found at the back of this handbook.

850253

Issue 1 (FEBRUARY 1989)

Due to our policy of continuously updating our products, this handbook may contain minor differences in specification, components and circuit design to the instrument actually supplied. Amendment sheets precisely matched to your serial number are available on request.

© 1989 Datron Instruments

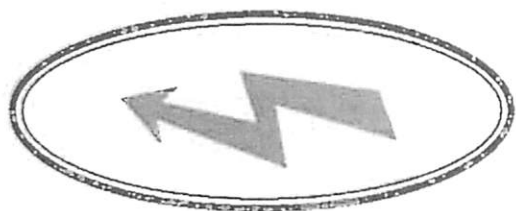


DANGER

HIGH VOLTAGE



THIS INSTRUMENT IS CAPABLE
OF DELIVERING
A LETHAL ELECTRIC SHOCK !
when connected to a high voltage source



FRONT or REAR terminals
carry the Full Input Voltage

THIS CAN KILL !



Guard terminal is sensitive to
over-voltage

**It can damage your
instrument !**

Unless **you** are **sure** that it is **safe** to do so,
DO NOT TOUCH
the **I+ I- Hi or Lo leads and terminals**

DANGER

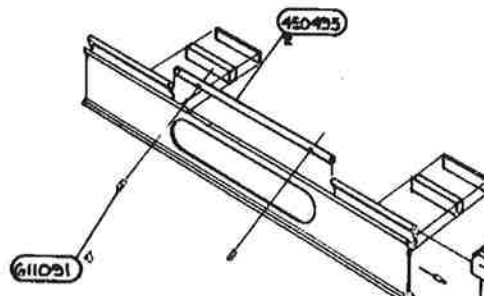
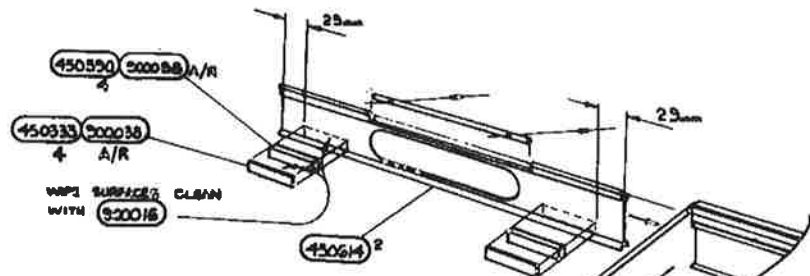
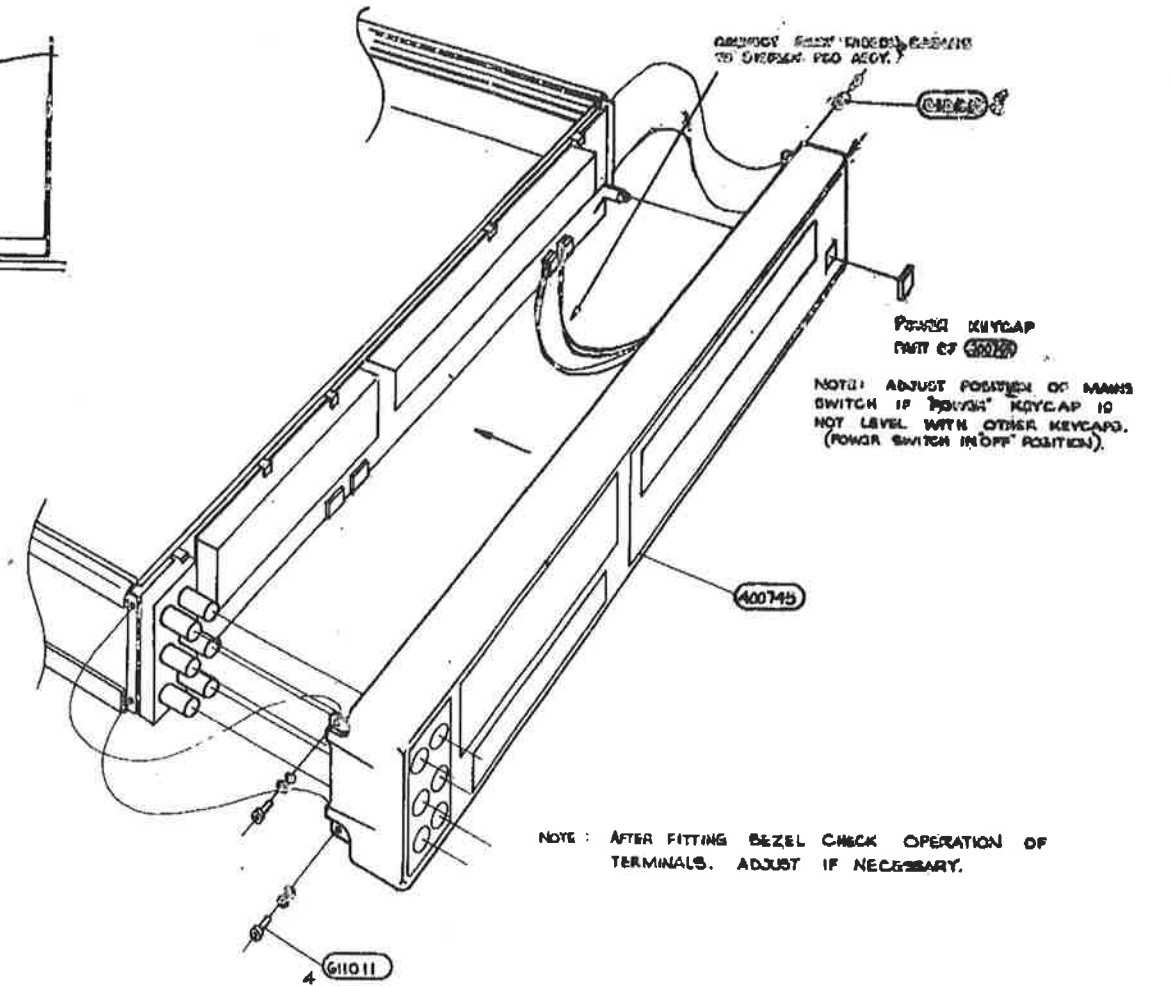
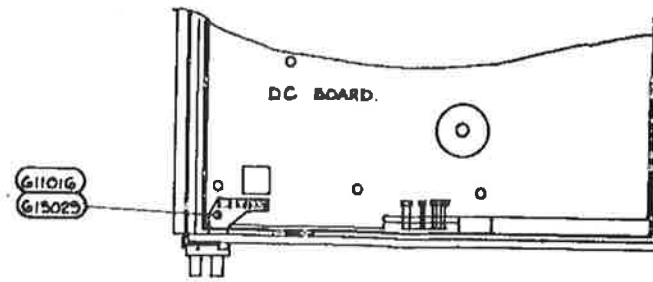
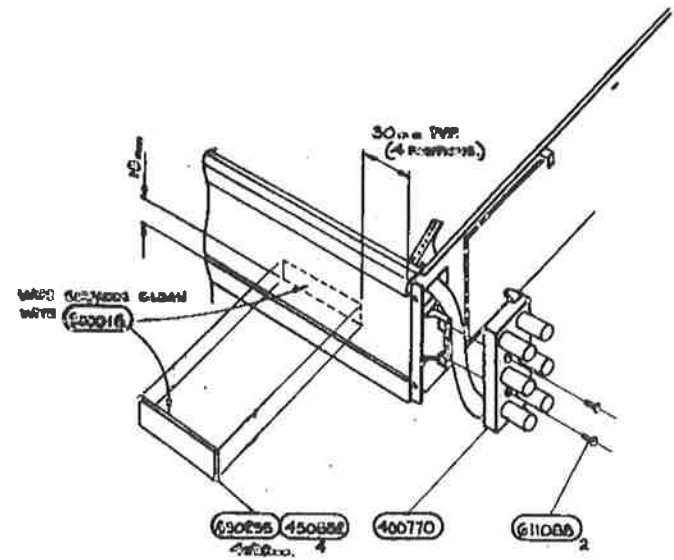
SECTION 11 1271 Servicing Diagrams and Parts Lists

Contents

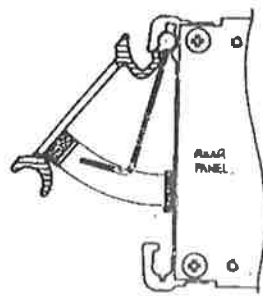
N.B. The parts list for an assembly appears immediately after its assembly's diagrams.

Mechanical Details	
Finished Assembly	11.1-1
Finished Assembly and Interconnection Diagram	11.1-2
Instrument Assembly	11.1-3
Chassis Assembly	11.1-4,5
Bezel and Terminal Mechanical Assemblies	11.1-6
Top and Bottom Covers	11.1-7
Mains Transformer and Low Voltage Transformer	11.1-8
Terminal Assembly	11.1-9
D.C. Assembly	
Expanded Assembly Drawings	11.2-1
Input Signal Switching	11.2-2
DC Preamplifier	11.2-3
DC Amplifier	11.2-4
References and Signal Switching	11.2-5
Analog to Digital Converter	11.2-6
Line Locking and A-D Control	11.2-7
Selfcal Multiplier	11.2-8
Opto Isolators and Relay Update	11.2-9
Control and Relay Drive	11.2-10
In - Guard Power Supplies	11.2-11
Display Assembly	
Display Driver	11.3-1
Digital Assembly	
Expanded Assembly Drawings	11.4-1
Processor, Address Decoding and Memory	11.4-2
ASIC and I/O	11.4-3
Keyboard/Display Interface and Power Fail Detector	11.4-4
IEEE Interface and Serial Interface	11.4-5
Power Supplies	11.4-6
A.C. Assembly	
Preamplifier	11.5-1
Precision Rectifier and Logarithmic Amplifier	11.5-2
R.M.S Converter	11.5-3
Control Logic	11.5-4
Ohms Assembly	
Low Follower	11.6-1
Constant Current Sink	11.6-2
Control Logic	11.6-3
Current Assembly	
Current to Voltage Converter	11.7-1
Control Logic	11.7-2
Keyboard Switch Assembly	
Front Panel Switch Matrix	11.8-1

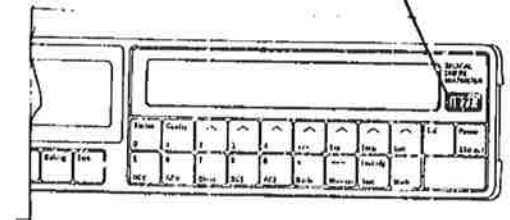
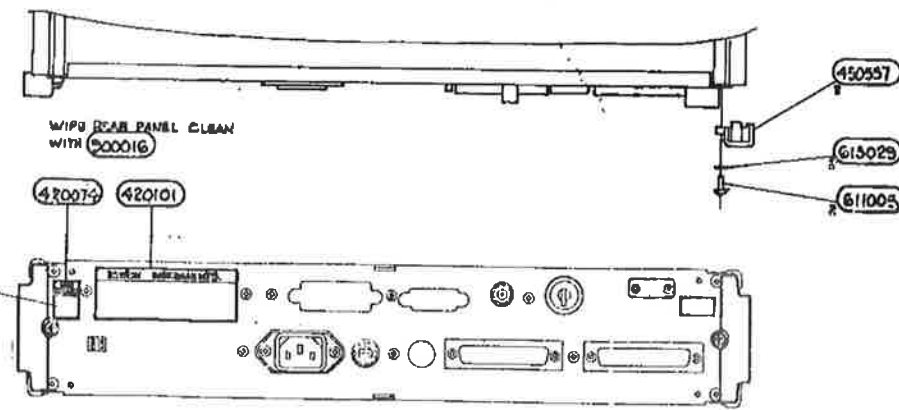




SET HANDLE POSITION TO GIVE EQUAL GAP TO ENDS OF SIDE EXTRUSION.

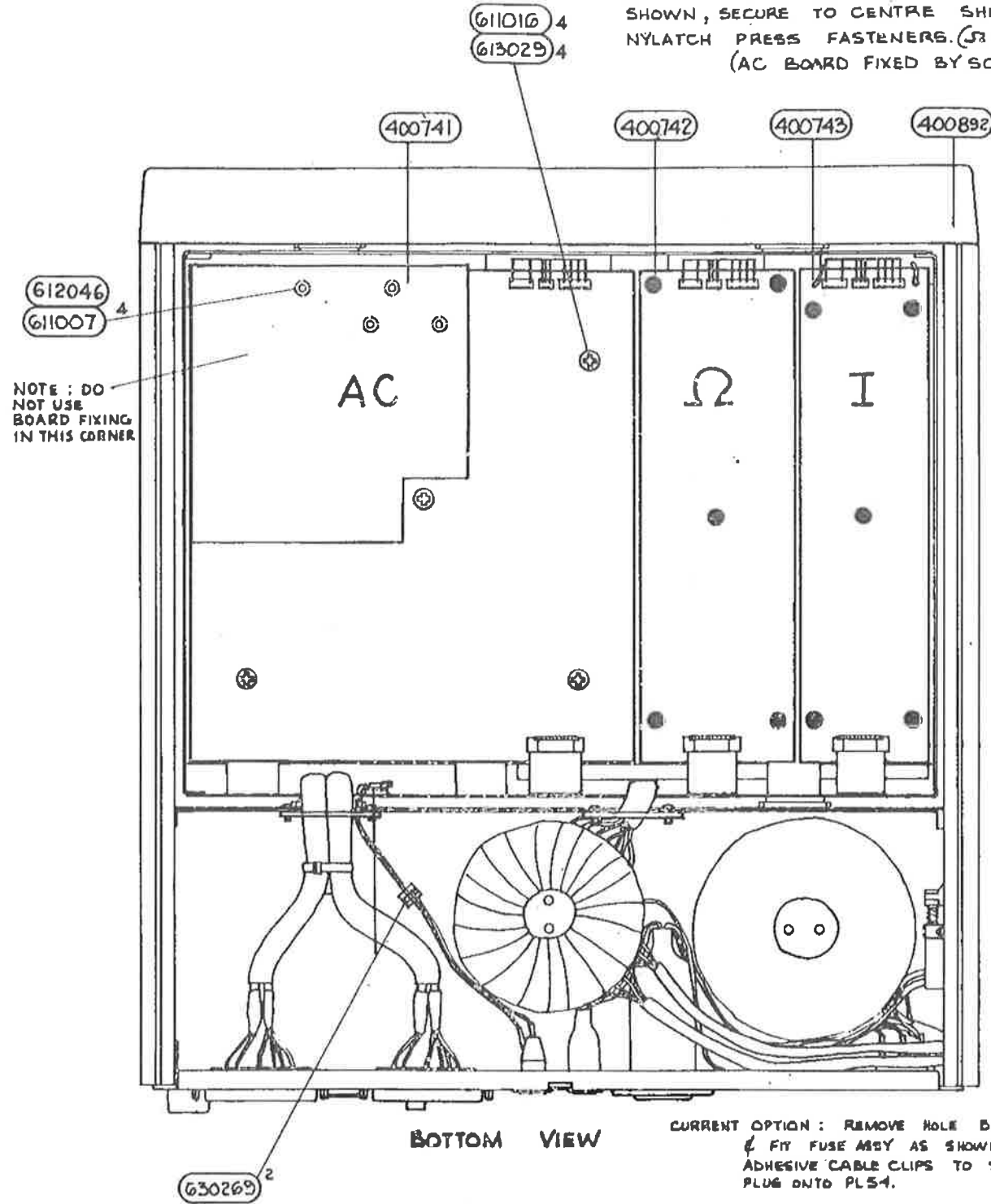


NOTE: STRIKE OUT APPLICABLE MMD. LEVEL.

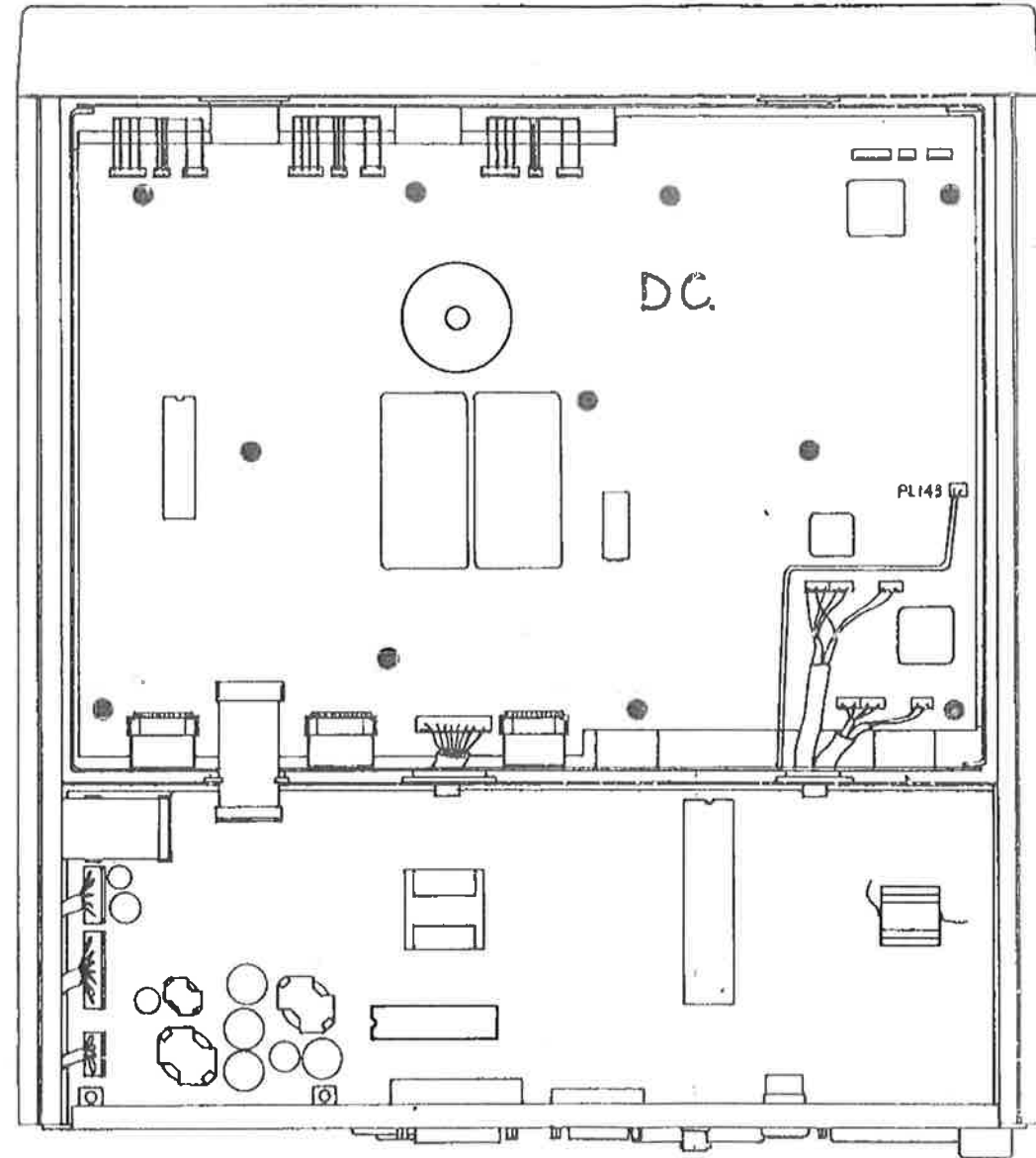


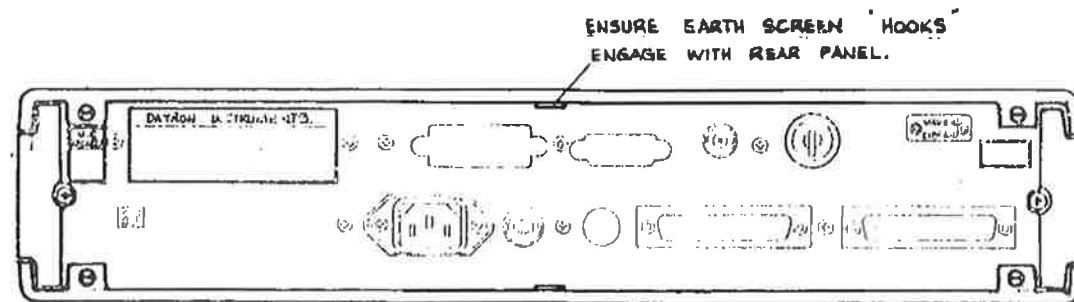
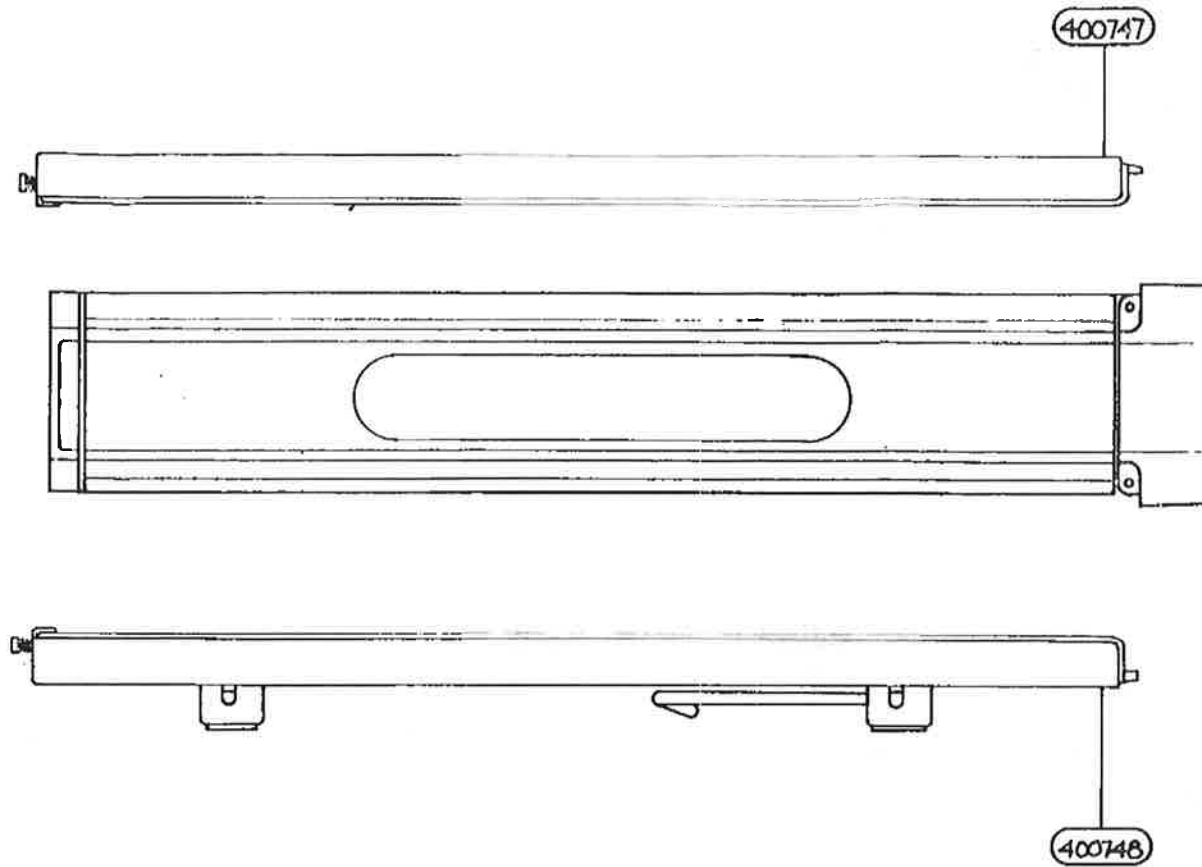
AC OPTION FITTING: REMOVE GU. SCREEN.
 FIT BOARD TO CHASSIS WITH 613029 + 611016.
 FIT 4 OFF 612046 THEN REFIT GU SCREEN
 WITH 611007 - 8 OFF.

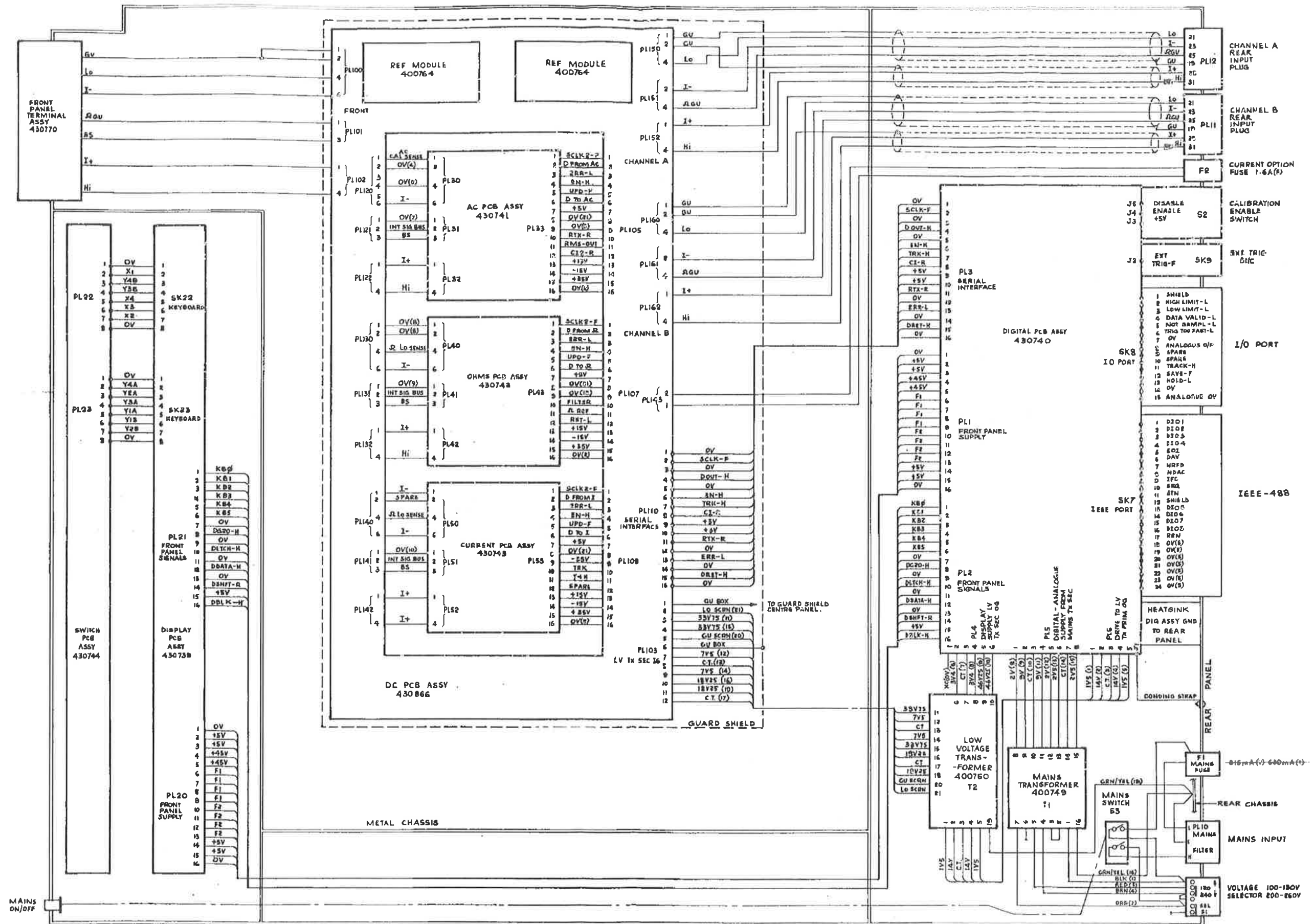
FIT REQUIRED OPTION BOARDS IN POSITIONS
 SHOWN, SECURE TO CENTRE SHIELD USING
 NYLATCH PRESS FASTENERS. (3 & 1)
 (AC BOARD FIXED BY SCREWS).



CURRENT OPTION: REMOVE HOLE BLANKING PLUG & FIT FUSE ASSY AS SHOWN USE 4 OFF ADHESIVE CABLE CLIPS TO SECURE WIRES. PLUG ONTO PLS4.

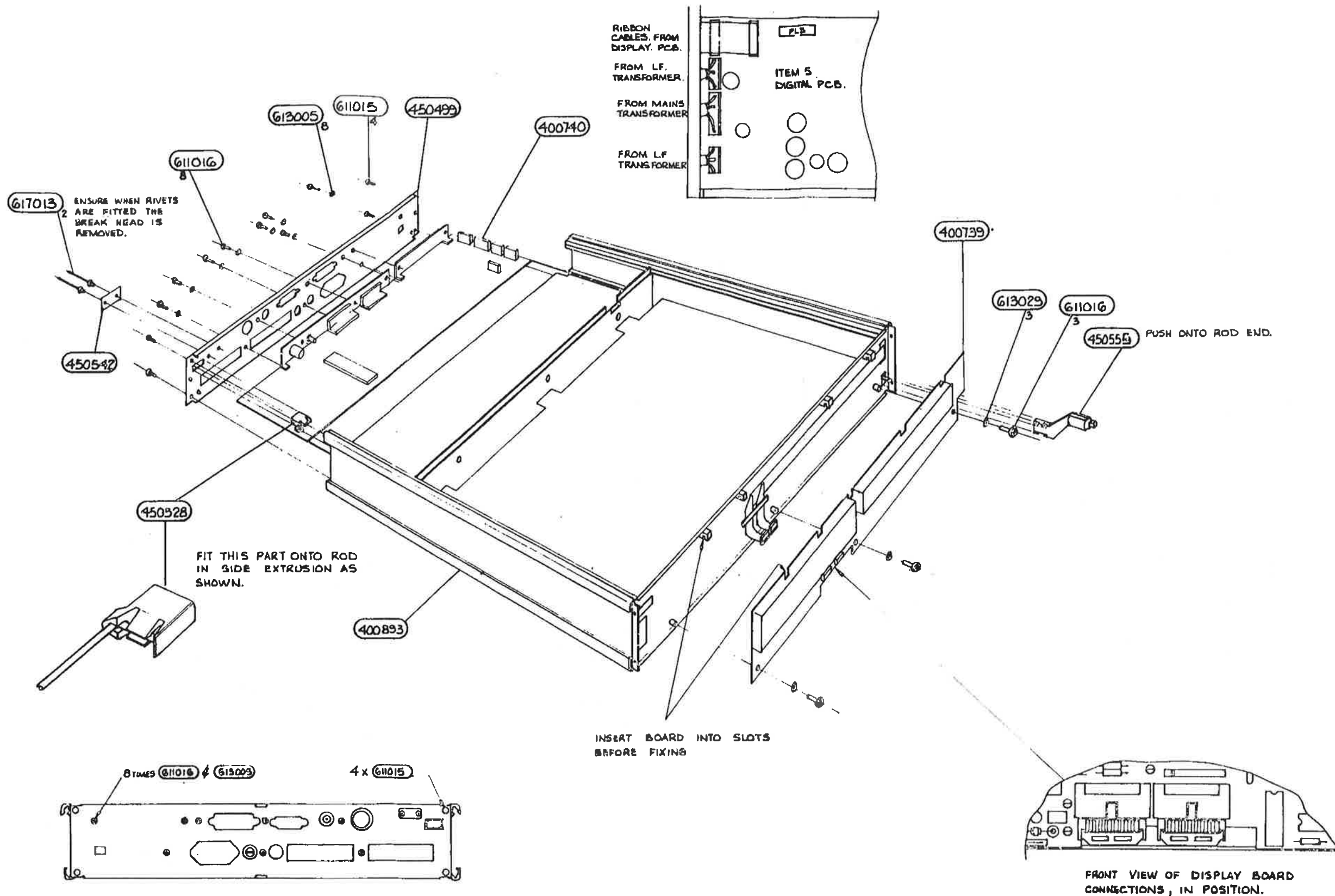


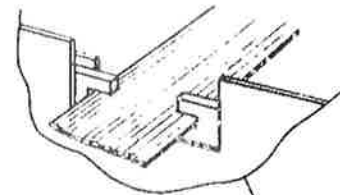




INTERCONNECTION DIAGRAM

Drawing No. DC400891 Sheet 1



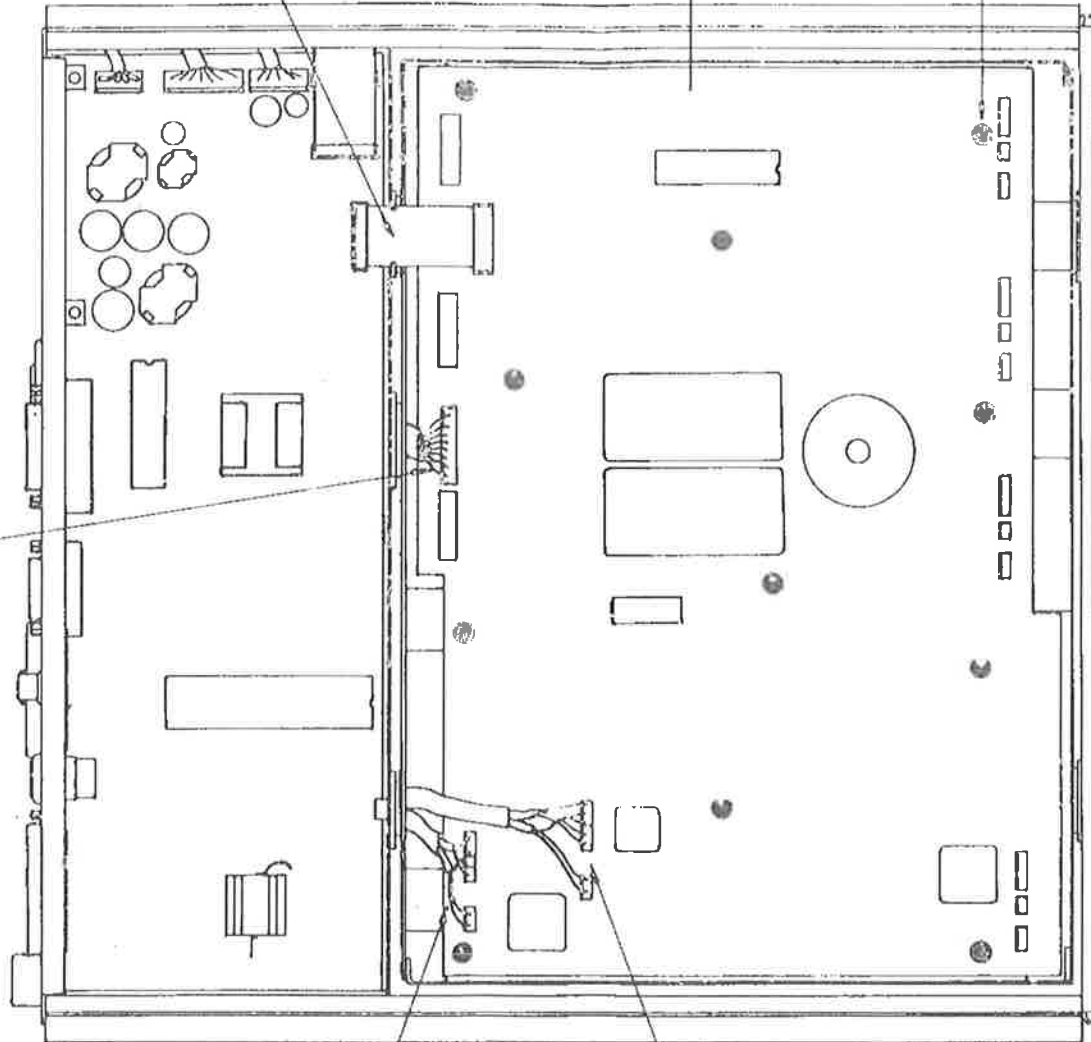


RIBBON CABLE SHOULD BE IN CLIP AS SHOWN ABOVE.

400866

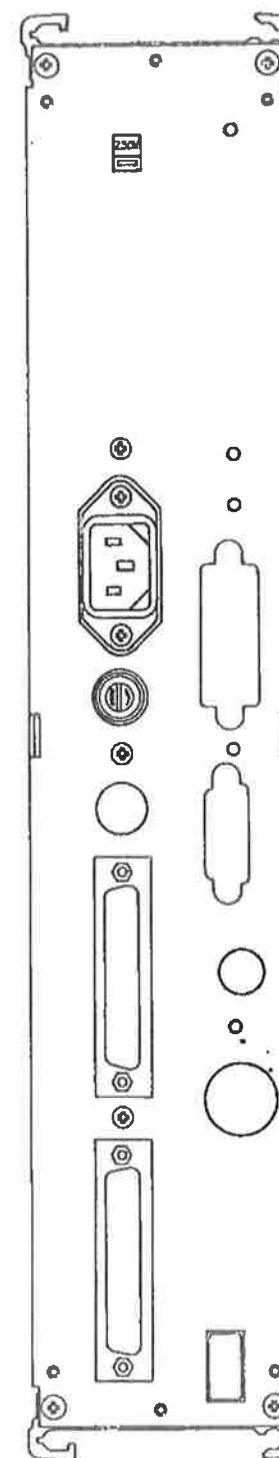
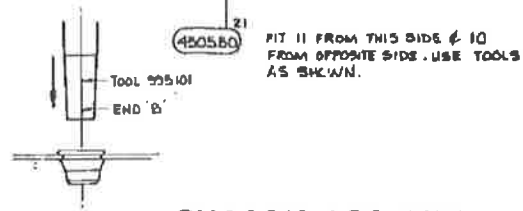
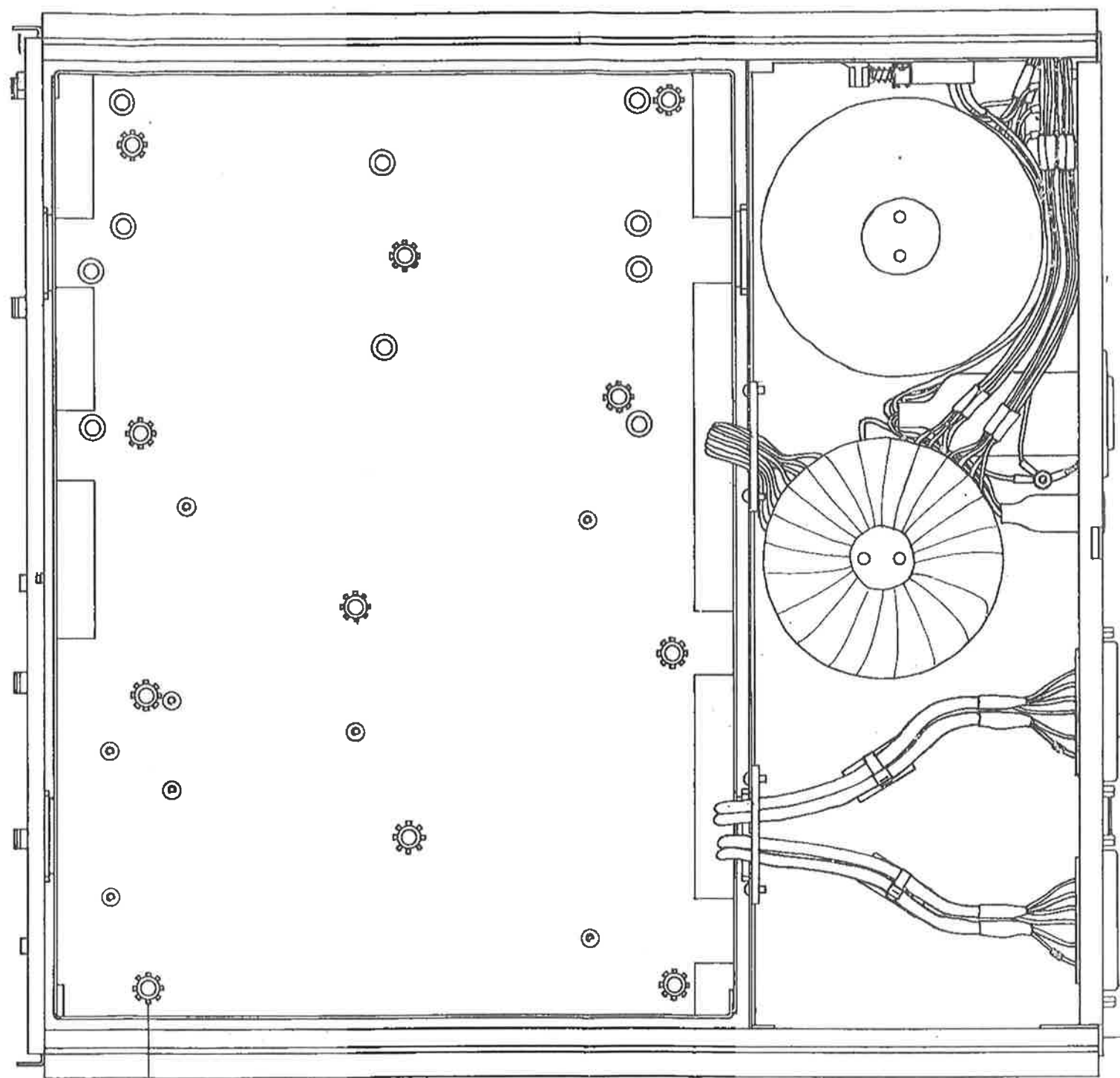
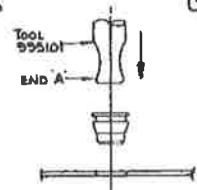
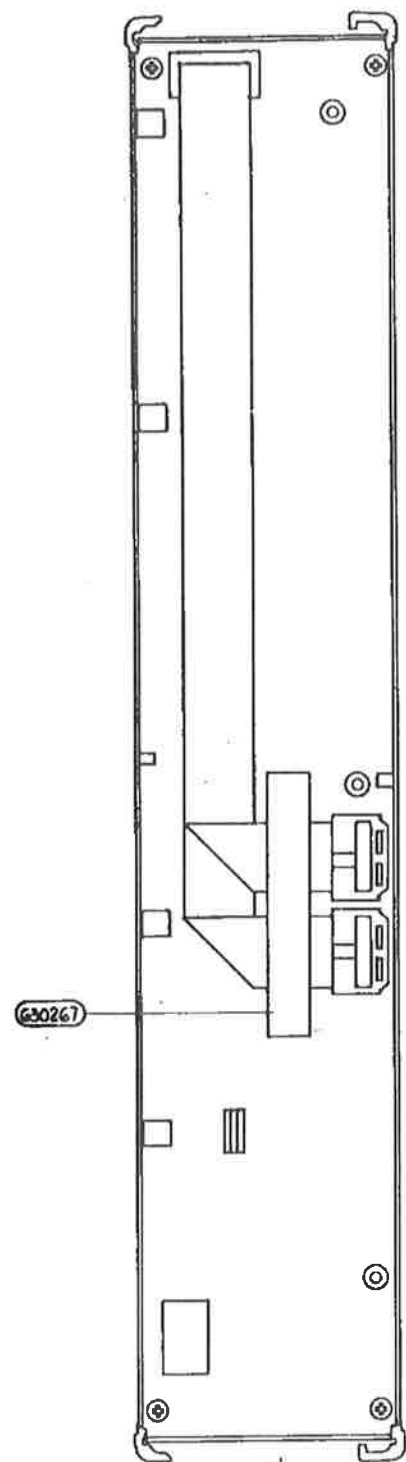
FIT DC BOARD IN POSITION SHOWN SECURE TO CENTRE SHIELD USING ELEVEN NYLATCH PRESS FASTENERS

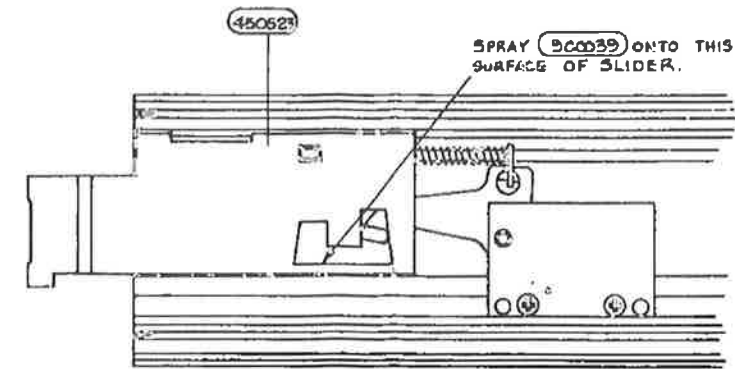
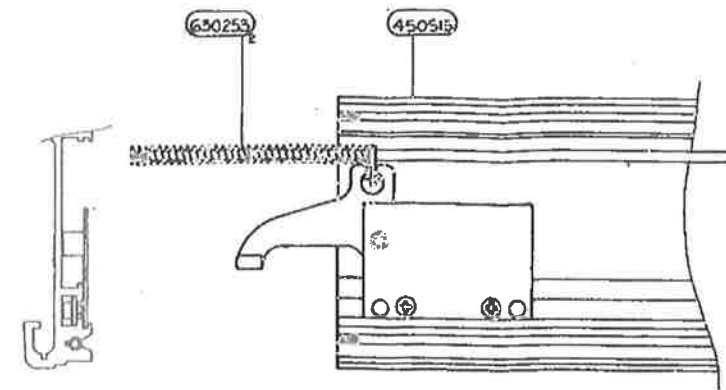
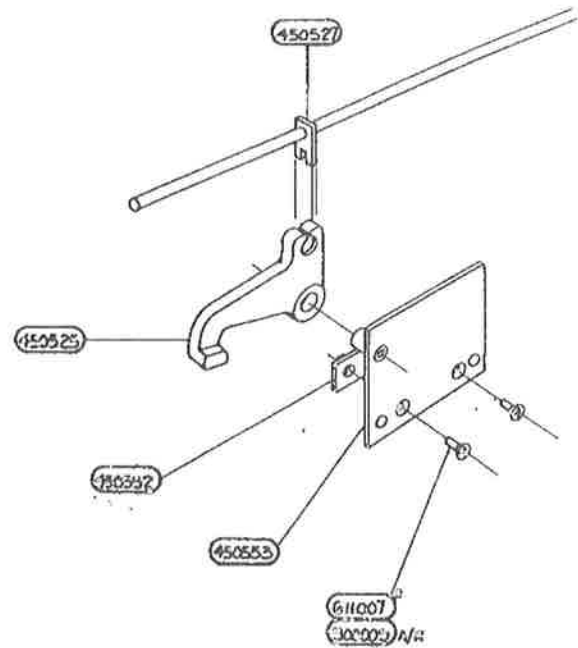
CONNECTOR FROM L.F. TRANSFORMER.



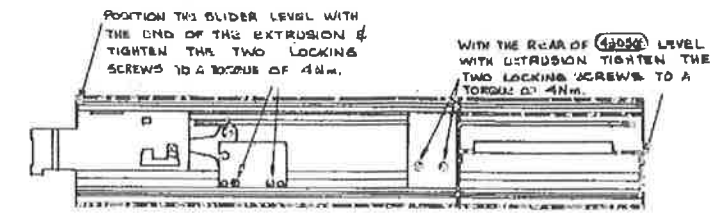
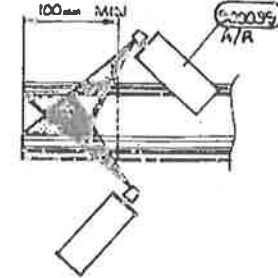
CONNECTOR FROM PL12 ON REAR PANEL.

CONNECTOR FROM PL11 ON REAR PANEL.

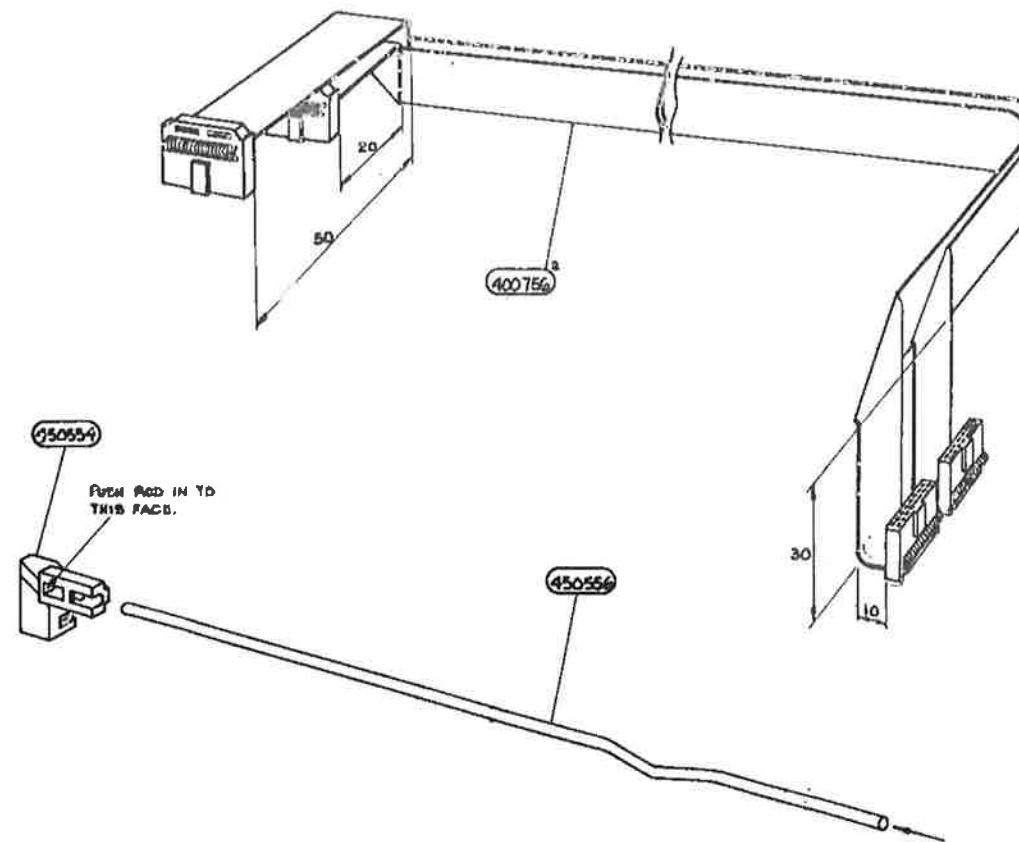
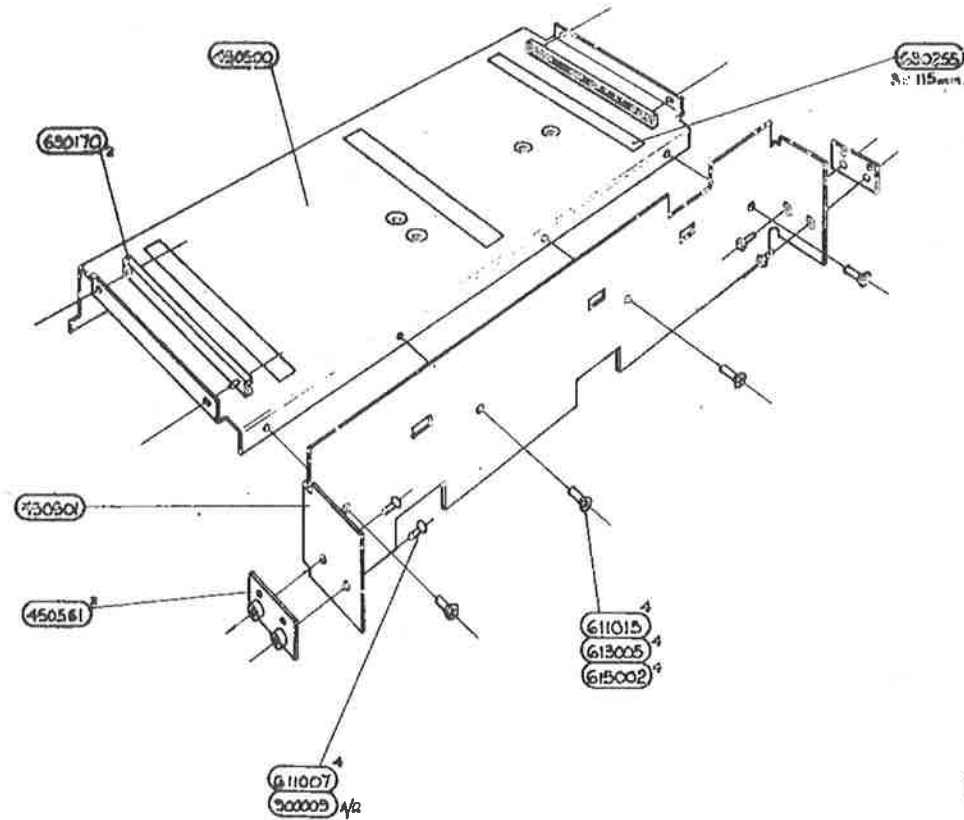




SPRAY 900039 INTO THESE AREAS AT SHOWN. ALLOW SOLVENT TO DRY & BUFF WITH SOFT CLOTH.

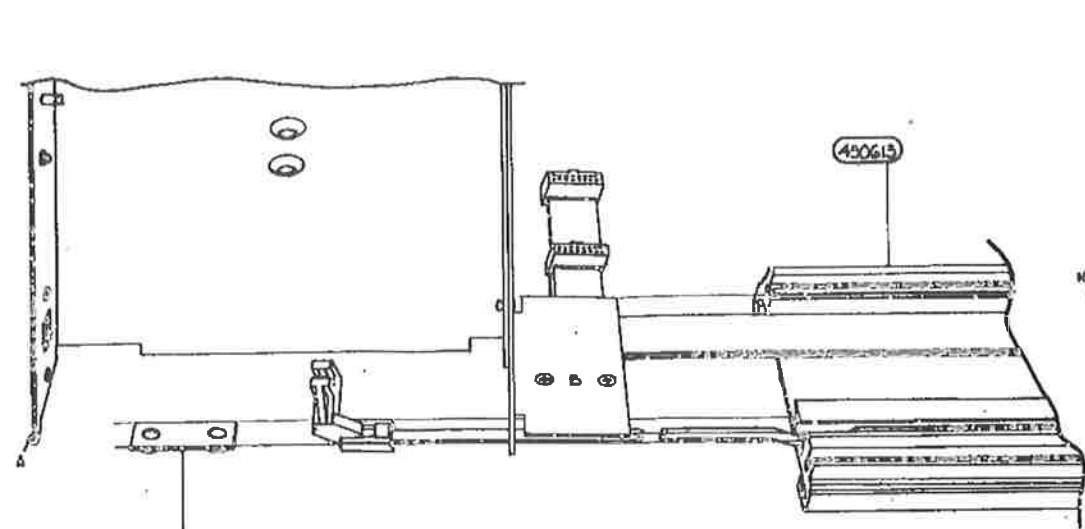


TO ENABLE YOU TO SLIDE 450520 & 450521 INTO PLACE YOU MAY HAVE TO SLIDE BACK THE TERMINAL SLIDER ASSY ITEMS.



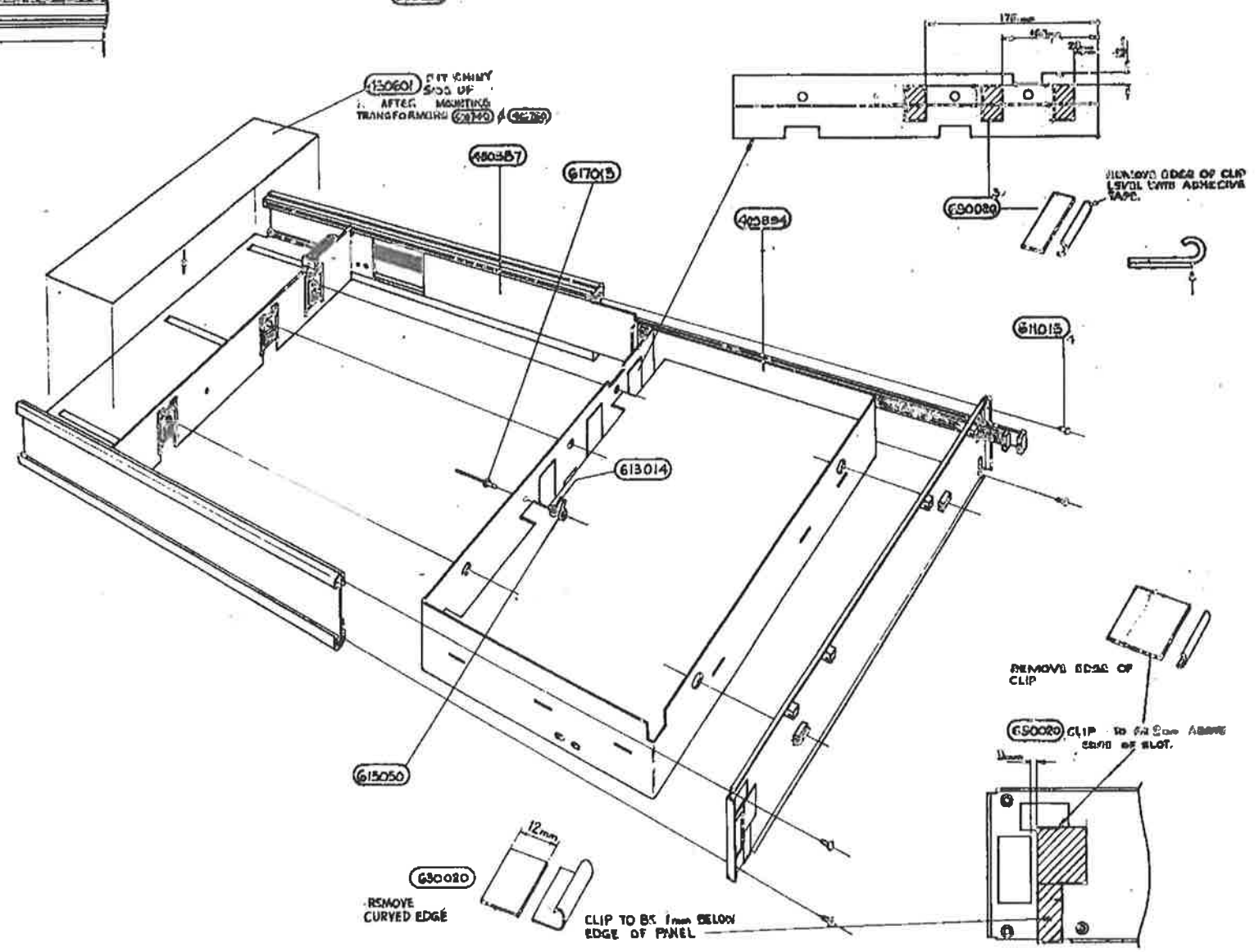
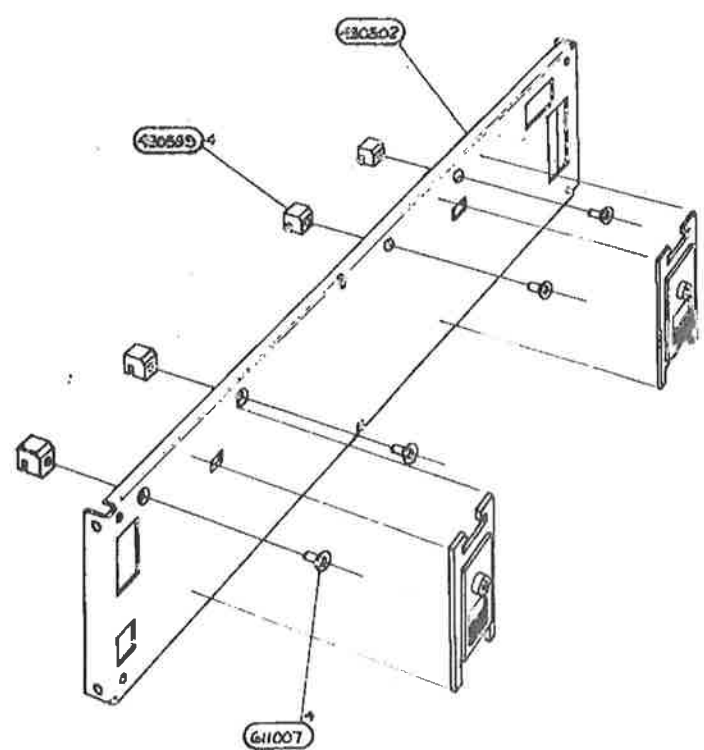
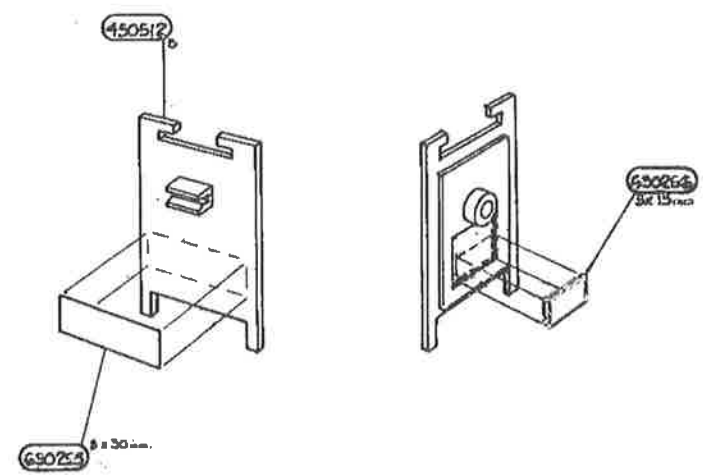
CHASSIS ASSEMBLY

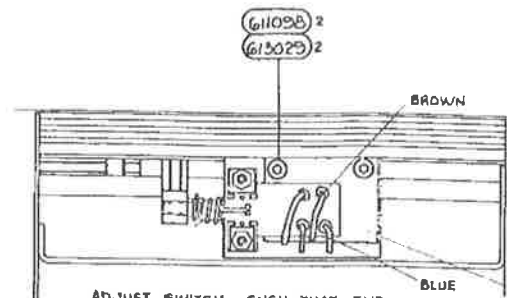
Drawing No. DA400893 Sheet 2



NOTE BUMP ON SWITCH BRIDGE TO GO TOWARDS FRONT & POINTING DOWNWARD.

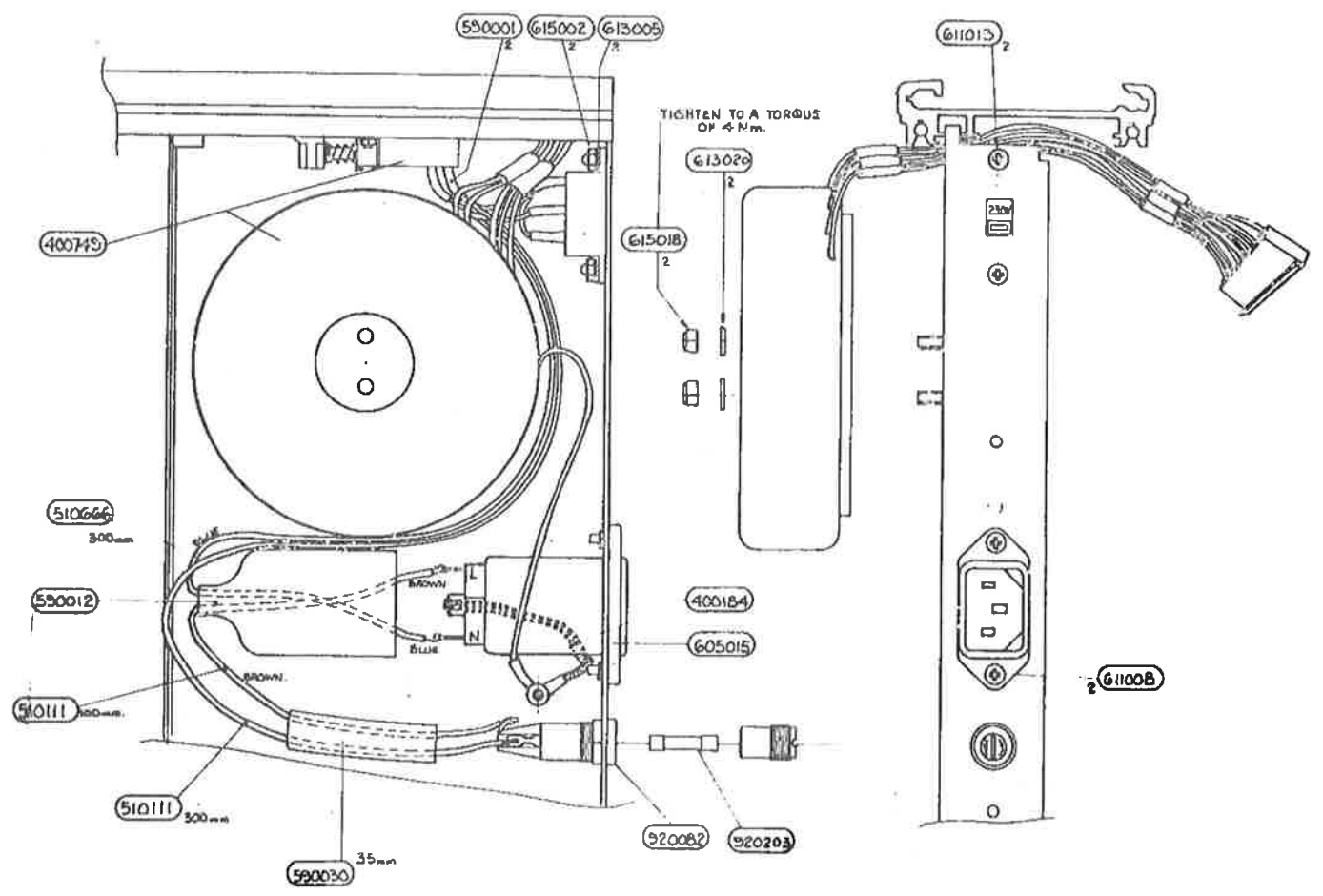
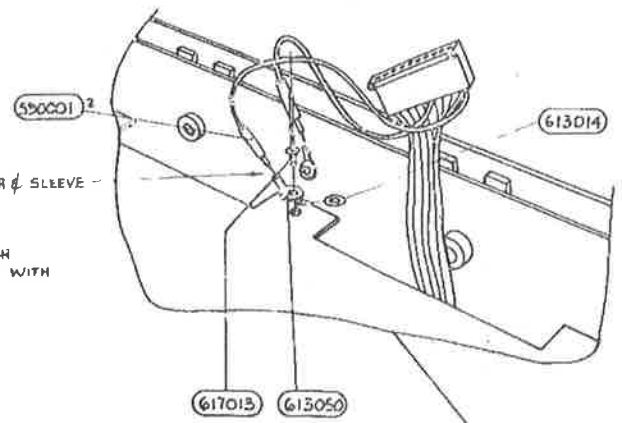
LAY RIBBON CABLES ONTO EXTRUSION CAREFULLY SLIDE OTHER PARTS INTO PLACE IN THE ORDER SHOWN, UNTIL FACE 'A' IS LEVEL WITH END OF EXTRUSION THEN TIGHTEN TWO SCREWS AT 'B'.





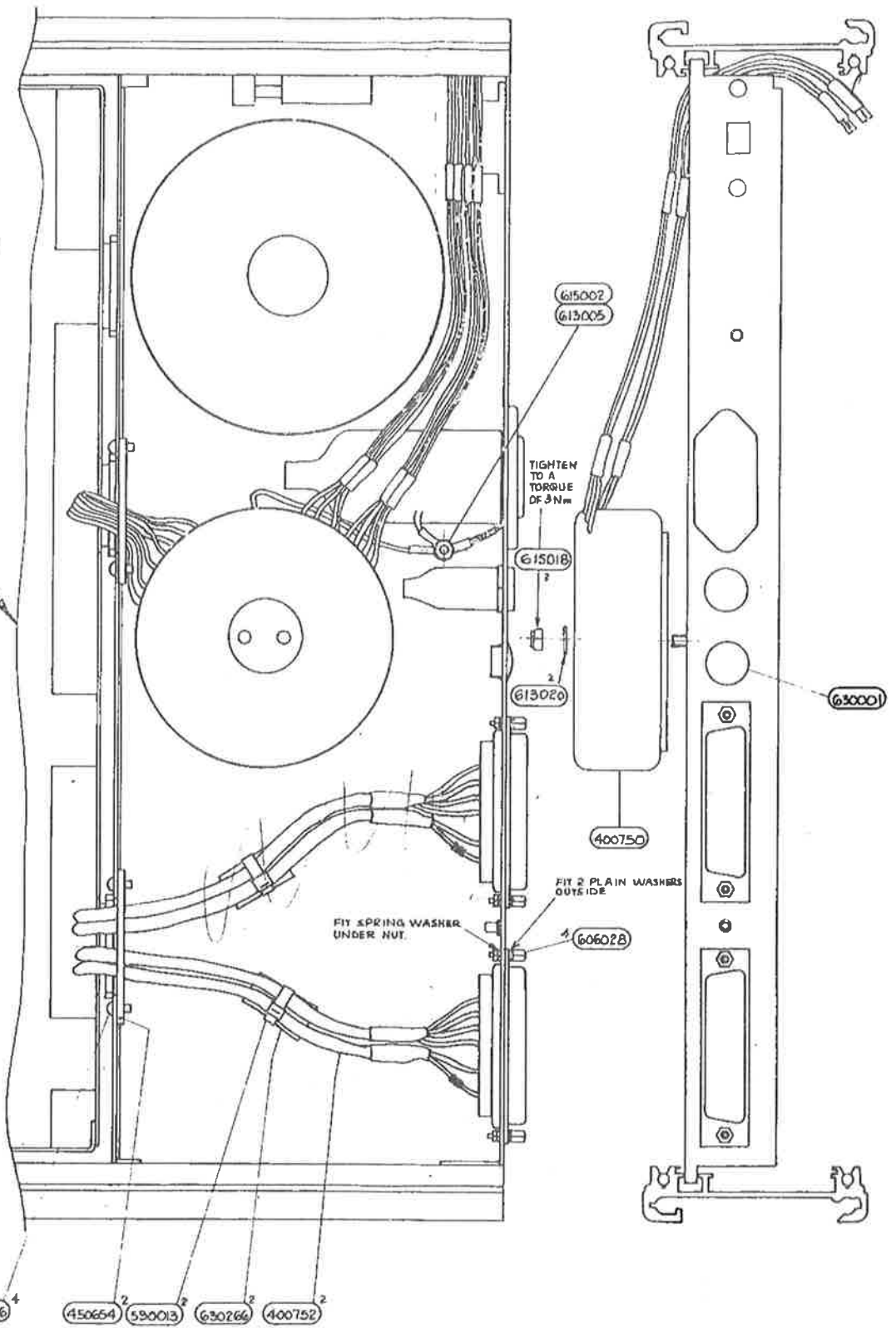
ADJUST SWITCH SUCH THAT END OF PUSH-ROD (450556) IS 10-5 mm FROM FRONT PANEL WHEN SWITCH IS IN MOST FORWARD POSITION.

FIT BETWEEN SWITCH AND PLATE SECURE WITH SCREWS SHOWN.



TIGHTEN TO A TORQUE OF 4 N.m.

NOTE: HEAD TO BE THIS SIDE.



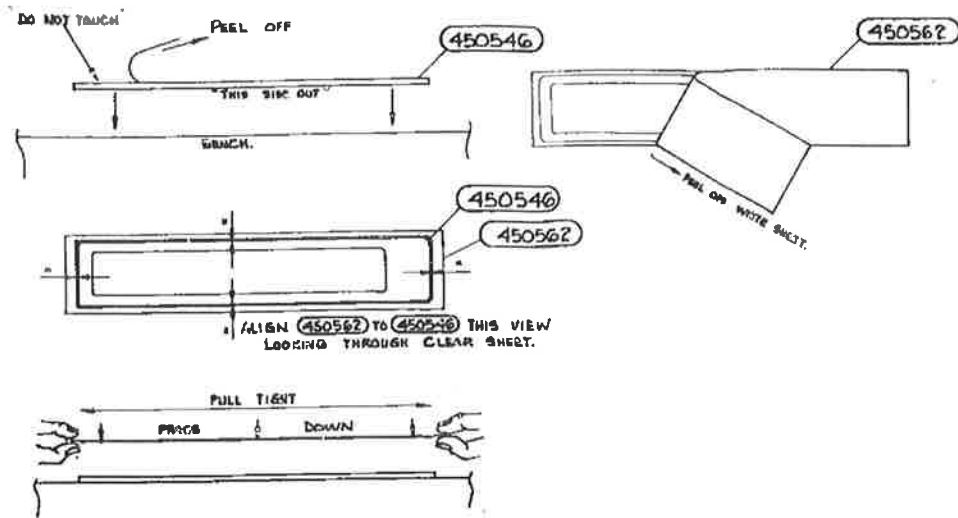
TIGHTEN TO A TORQUE OF 3 N.m.

FIT 2 PLAIN WASHERS OUTSIDE

FIT SPRING WASHER UNDER NUT.

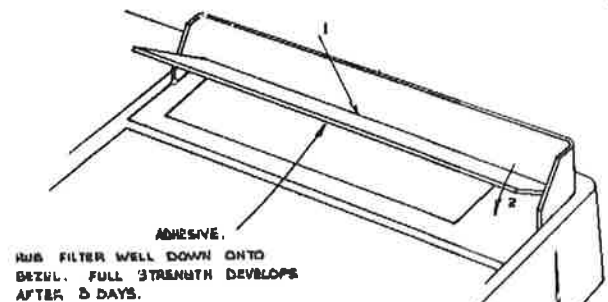
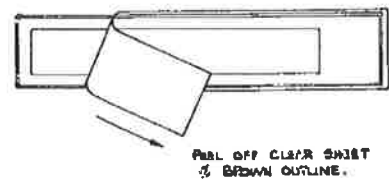
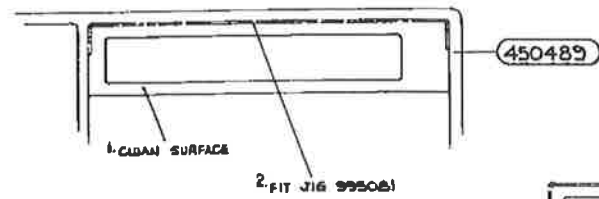
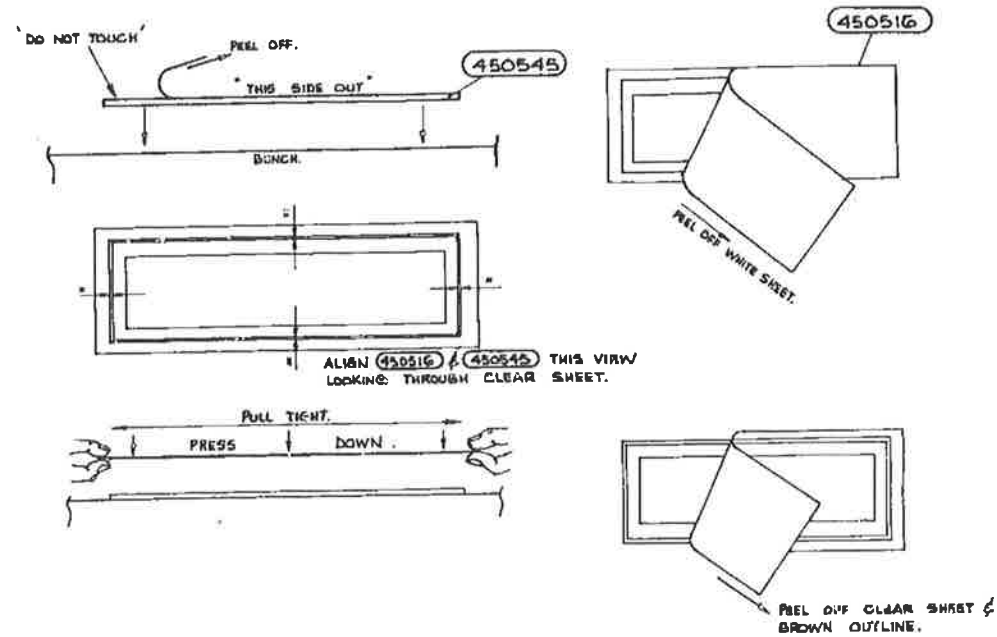
CHASSIS ASSEMBLY

Drawing No. DA400893 Sheet 4

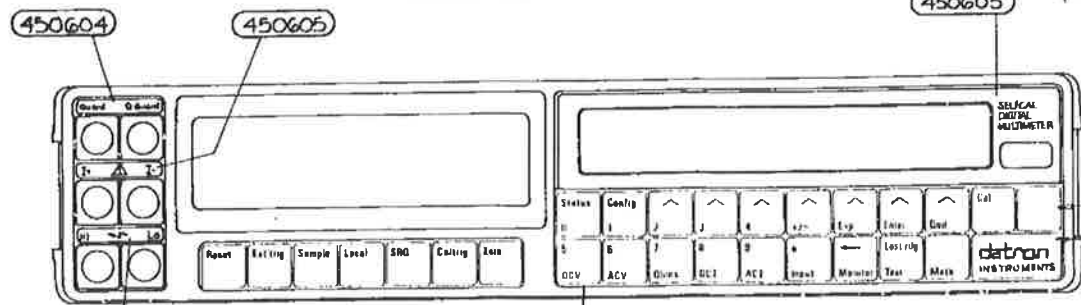
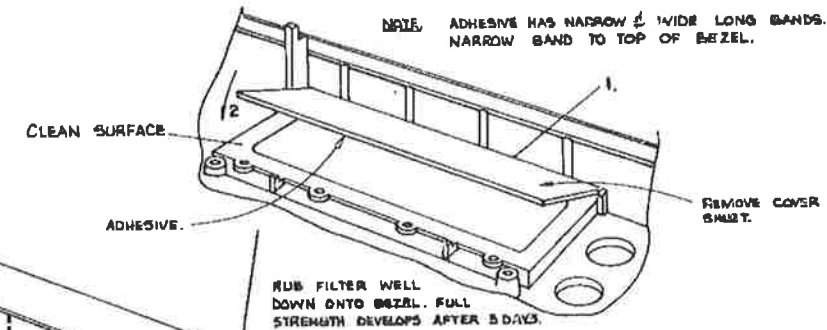


GENERAL NOTES ON FITTING FILTERS & BADGES

1. WIPE ALL SURFACES TO RECEIVE ADHESIVE WITH A CLEAN WIPE MOISTENED WITH (800010).
2. DO NOT TOUCH CLEANED SURFACE - RECLEAN IF ACCIDENTALLY TOUCHED.
3. DO NOT TOUCH ADHESIVE SURFACE.
4. HANDLING OF ADHESIVES (450546) & (450516)
 - a) IF CLEAR SHEET SEPARATES FIRST, PRESS BACK AND RUB DOWN. WHITE SHEET WILL THEN SEPARATE.
 - b) AFTER REMOVAL OF WHITE SHEET HANDLE ONLY BY ENDS OF CLEAR SHEET.
 - c) PULL TIGHT AND ALIGN BEFORE LOWERING TO FILTER SURFACE.
 - d) IF MIS-ALIGNED OR UNFLAT THEY MUST BE ENTIRELY REMOVED (RUB WITH FINGER), THE SURFACE CLEANED AND NEW ADHESIVE APPLIED.
5. HANDLE JIGS WITH GREAT CARE - THEY ARE FRAGILE. IF BENT THE JIGS WILL NOT ALIGN PARTS CORRECTLY.

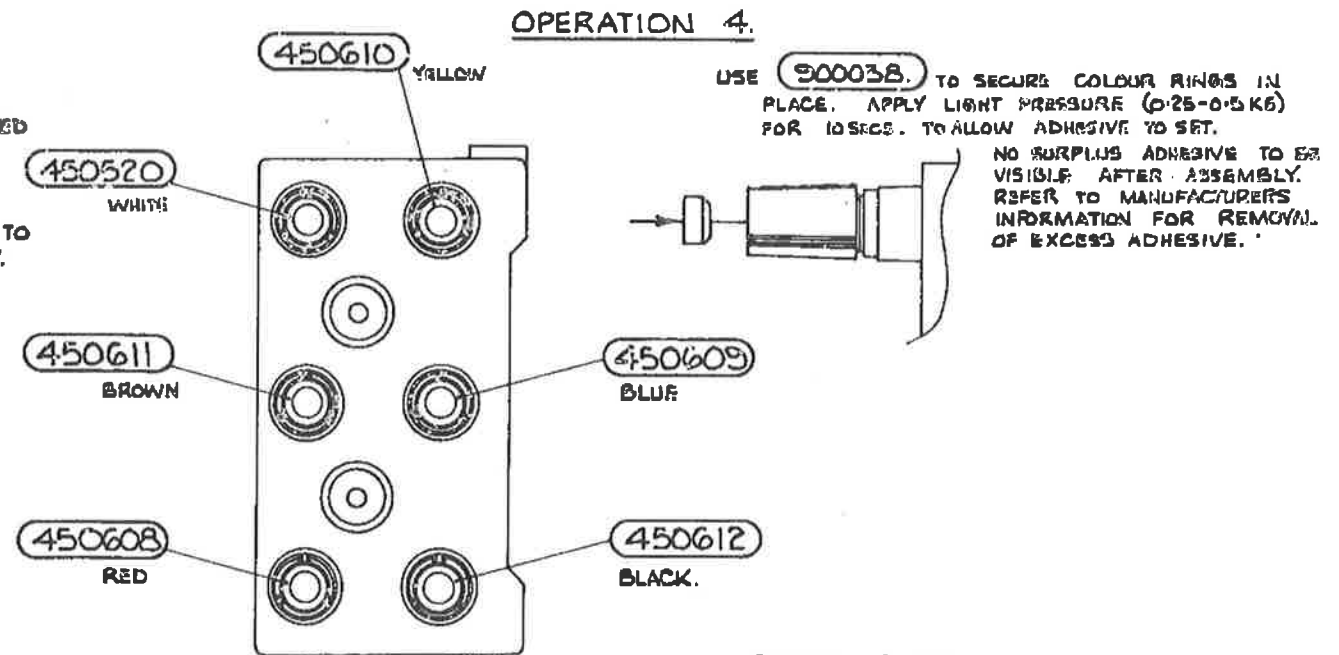
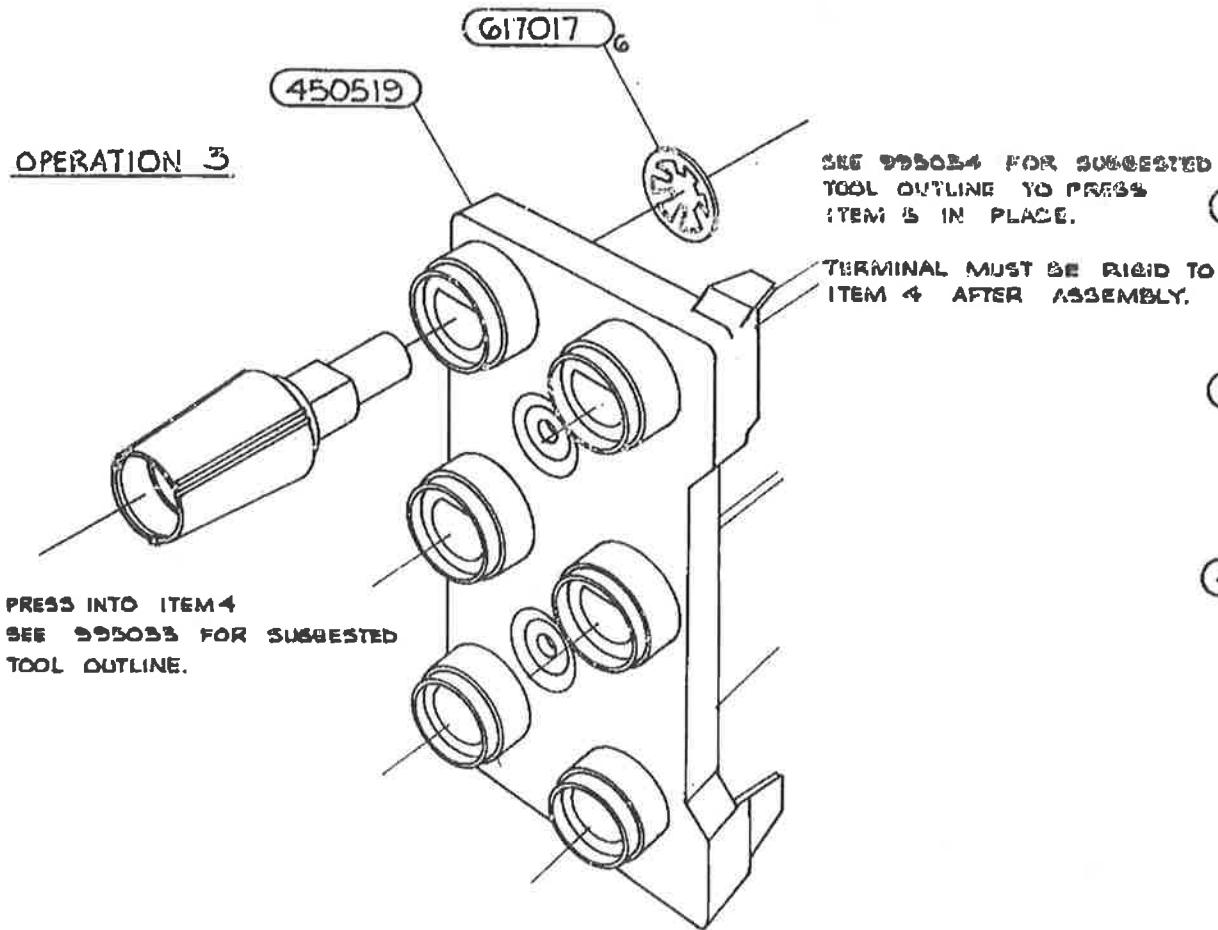
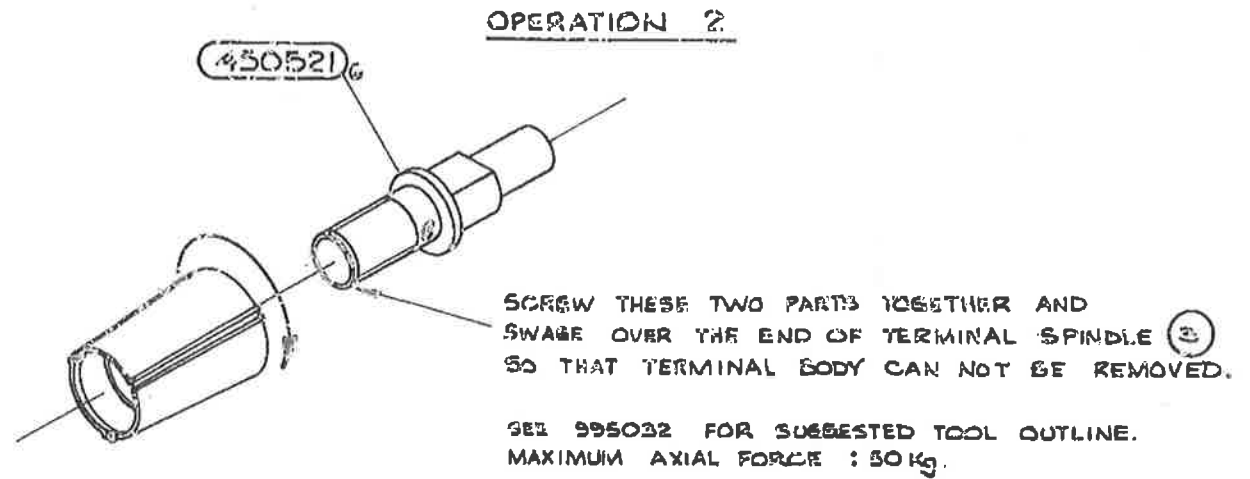
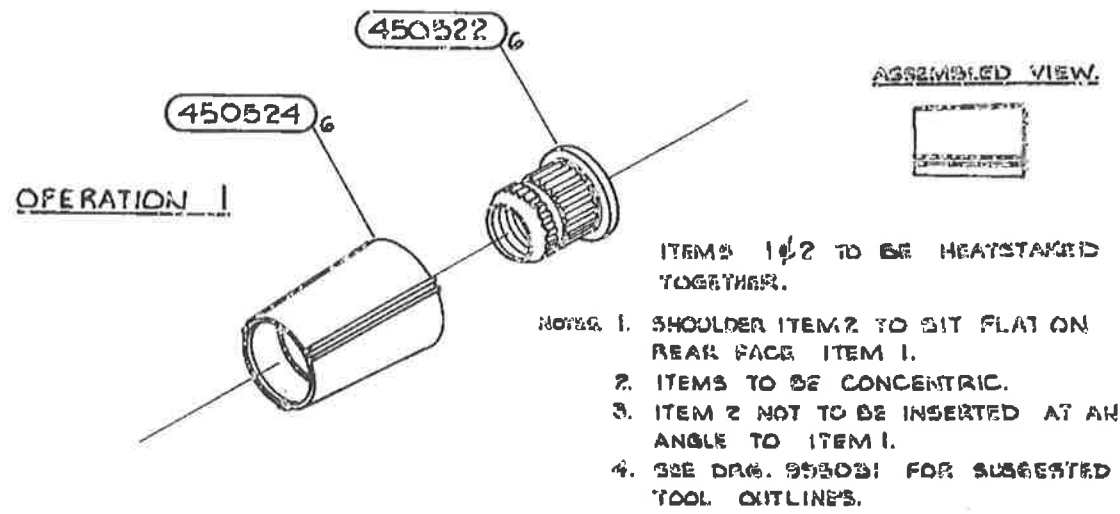


INSERT TOP EDGE OF FILTER INTO JIG THEN PRESS DOWN ONTO BEZEL. REMOVE "THIS SIDE OUT" AND BACKING SHEET FROM BADGE (450603) AND FIT IN SIMILAR MANNER. REMOVE JIG.

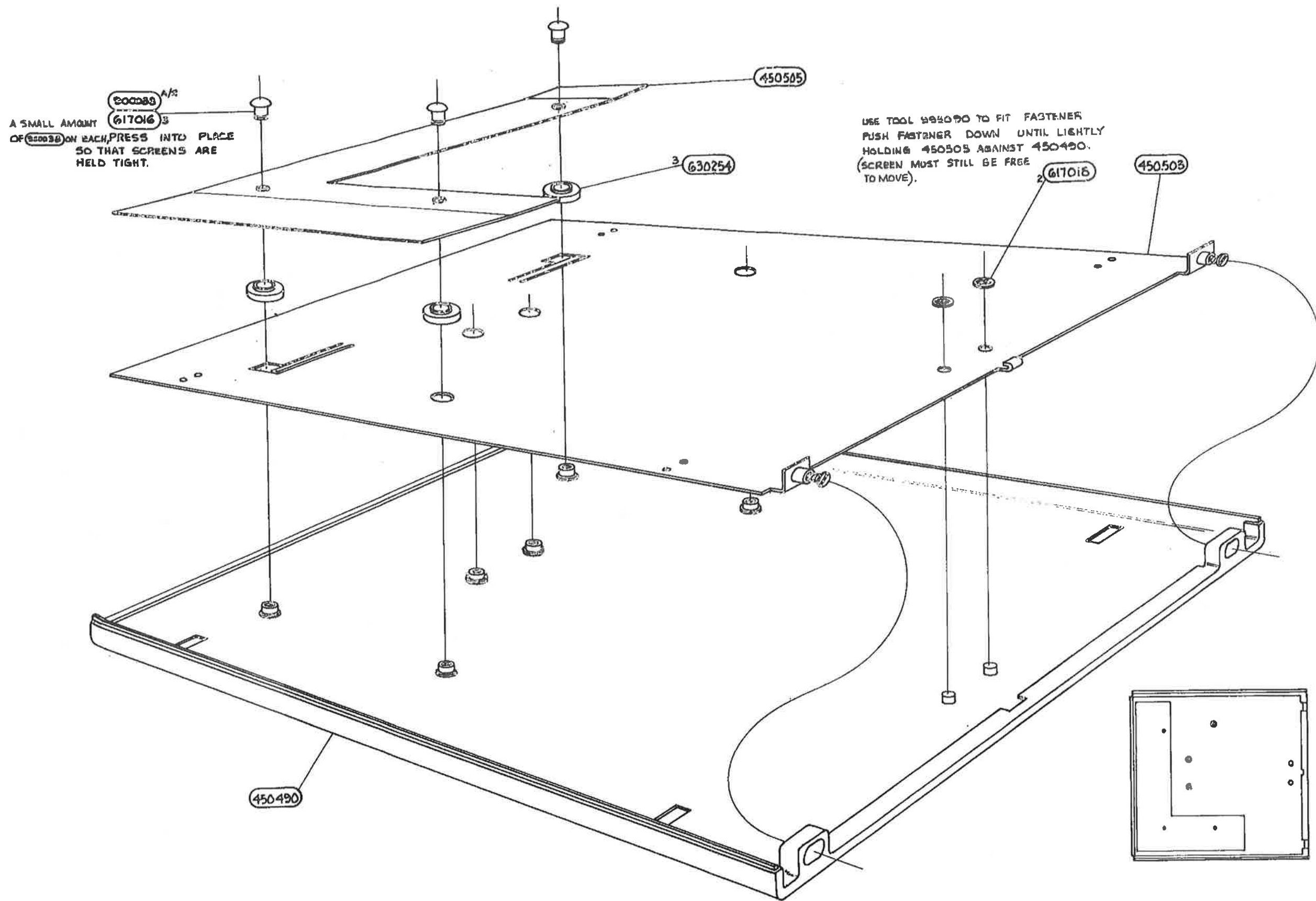


450531 FIT KEYCAPS TO SWITCHES IN POSITIONS SHOWN ABOVE.



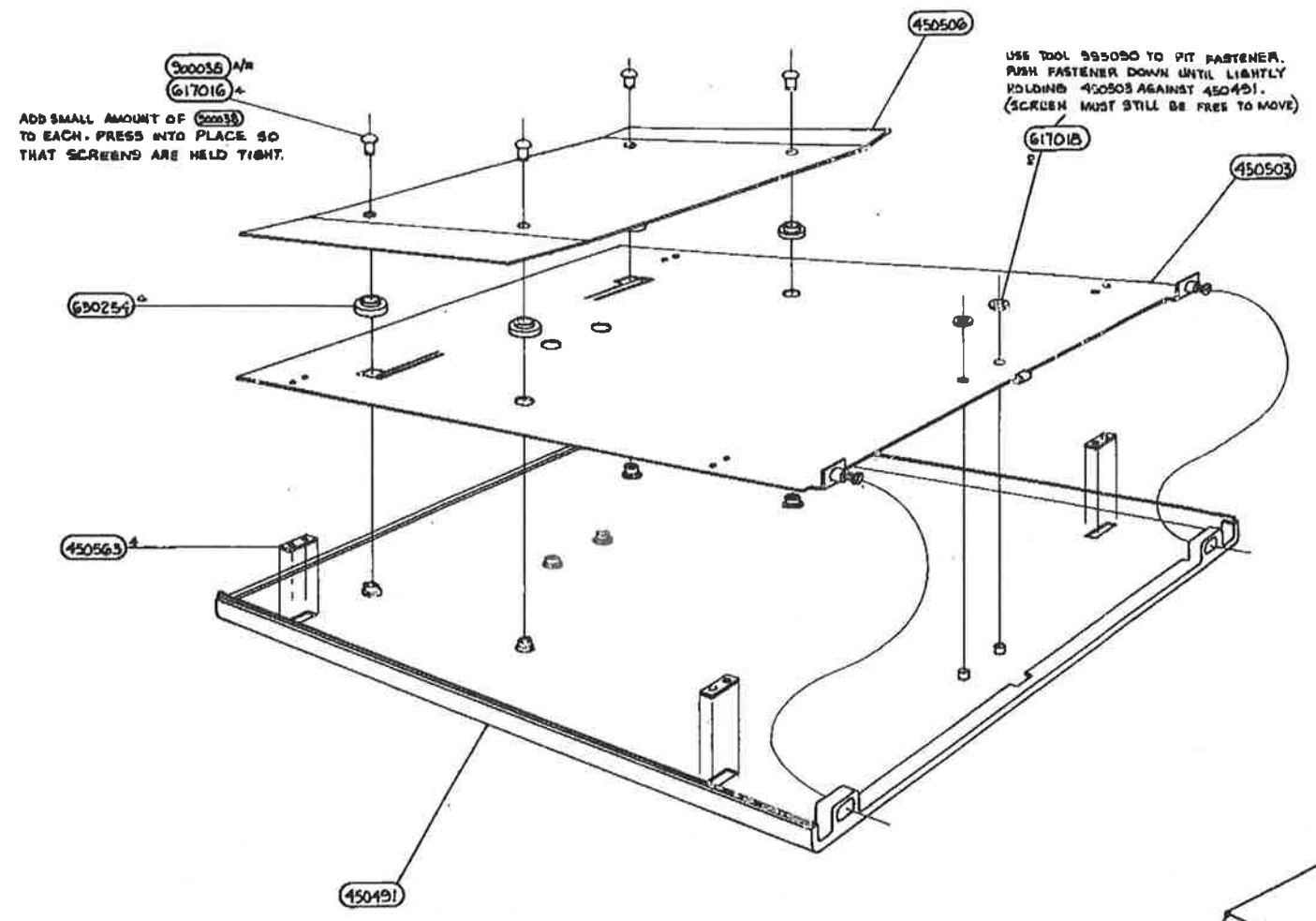


GENERAL. PLASTIC COMPONENTS NOT TO BE DAMAGED BY ASSEMBLY PROCESS. USE OF SUGGESTED TOOLS IS RECOMMENDED.
 ALL TERMINALS TO BE PERPENDICULAR TO BASE AND RUN TRUE ON THREADS.

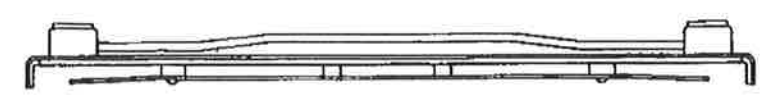
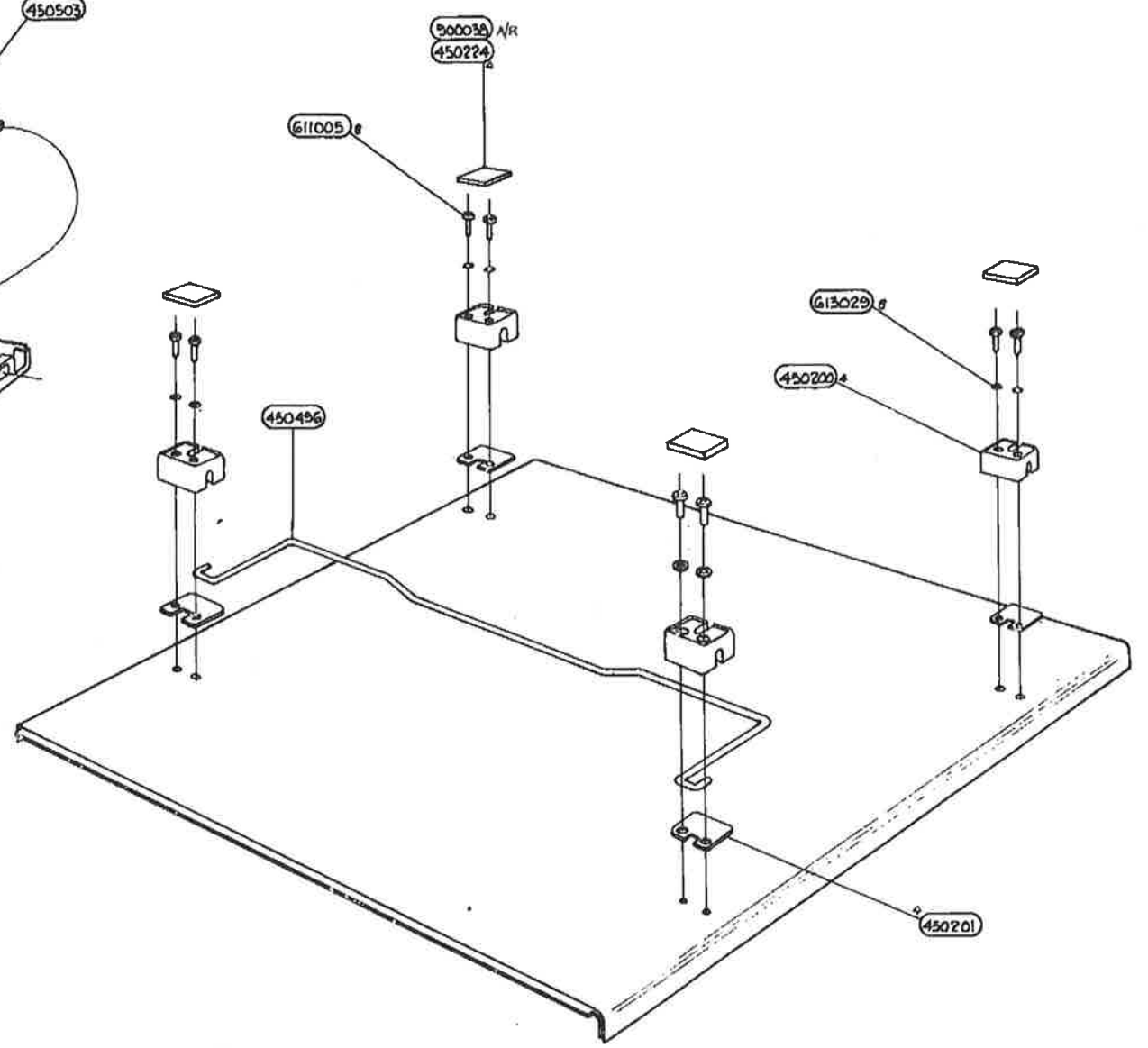


A SMALL AMOUNT OF **600038** ON EACH, PRESS INTO PLACE SO THAT SCREENS ARE HELD TIGHT.

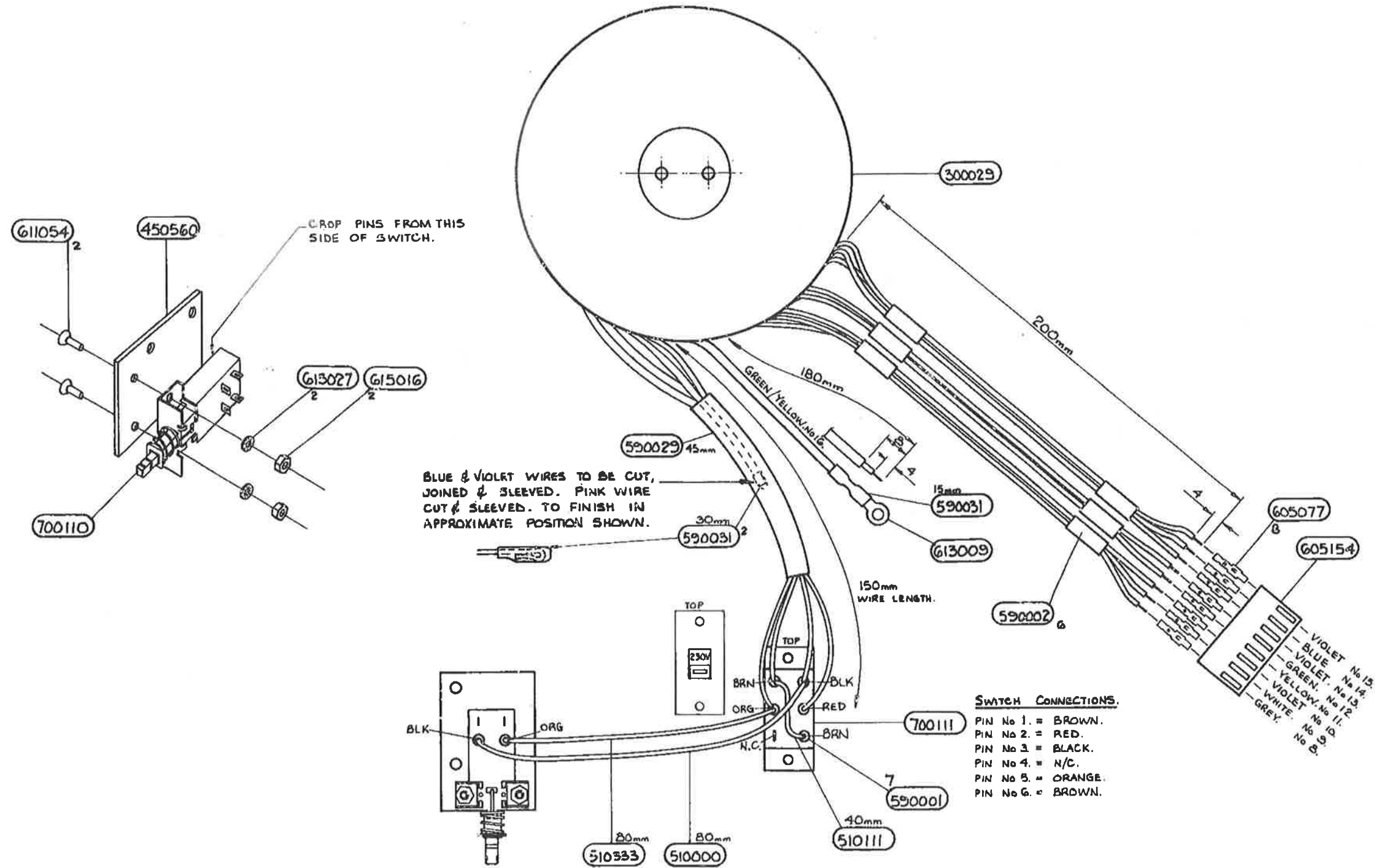
USE TOOL **994090** TO FIT FASTENER. PUSH FASTENER DOWN UNTIL LIGHTLY HOLDING **450505** AGAINST **450490**. (SCREEN MUST STILL BE FREE TO MOVE).



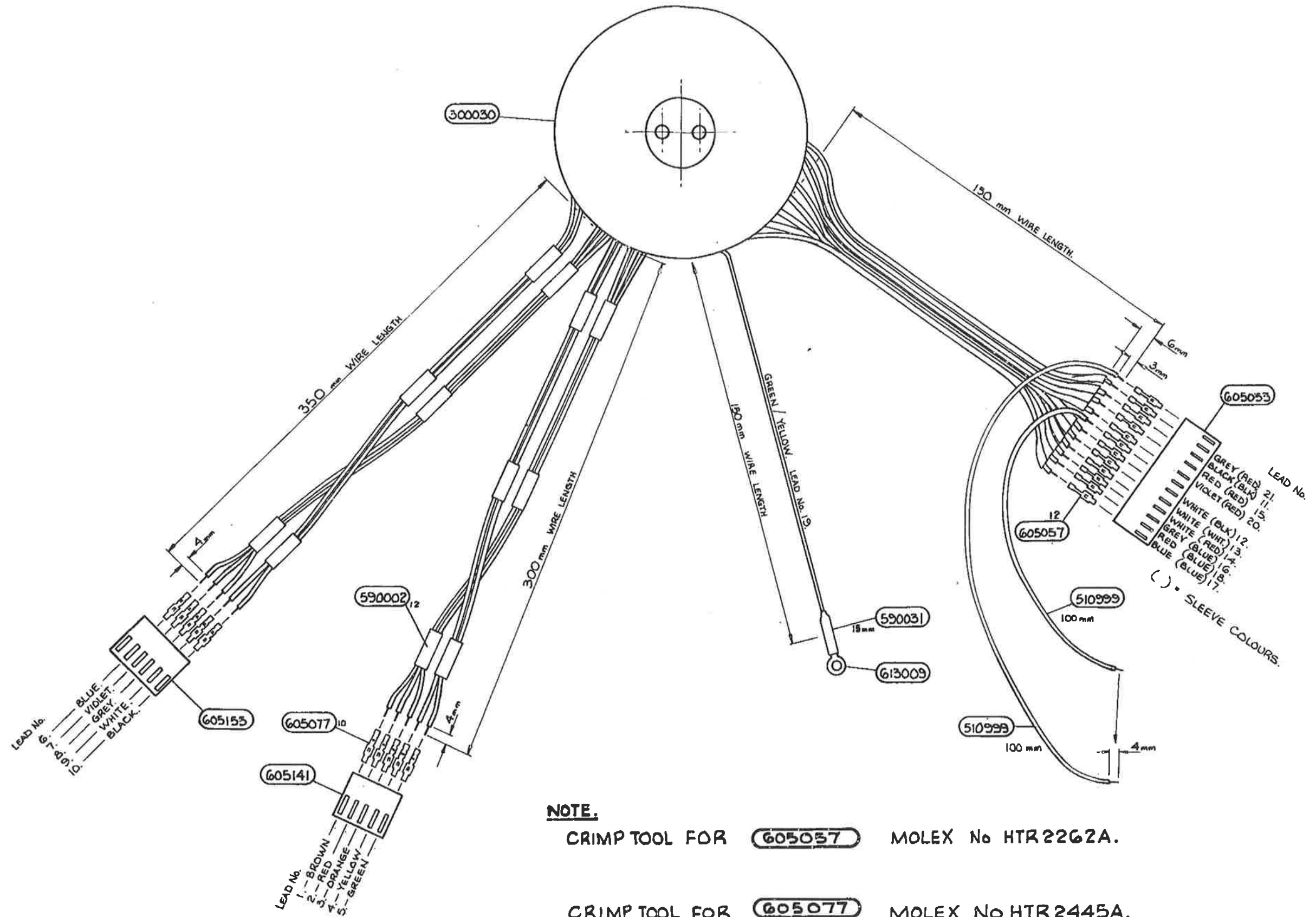
USE TOOL 995090 TO PIT FASTENER. PUSH FASTENER DOWN UNTIL LIGHTLY HOLDING 450503 AGAINST 450491. (SCREEN MUST STILL BE FREE TO MOVE)



VIEW FROM FRONT OF COVER. NOTE DIRECTION OF BEND OF 450506 GUARD SCREEN AND 450496 TILT STAND.



CRIMP TOOL FOR **605077** MOLEX HTR 2445A



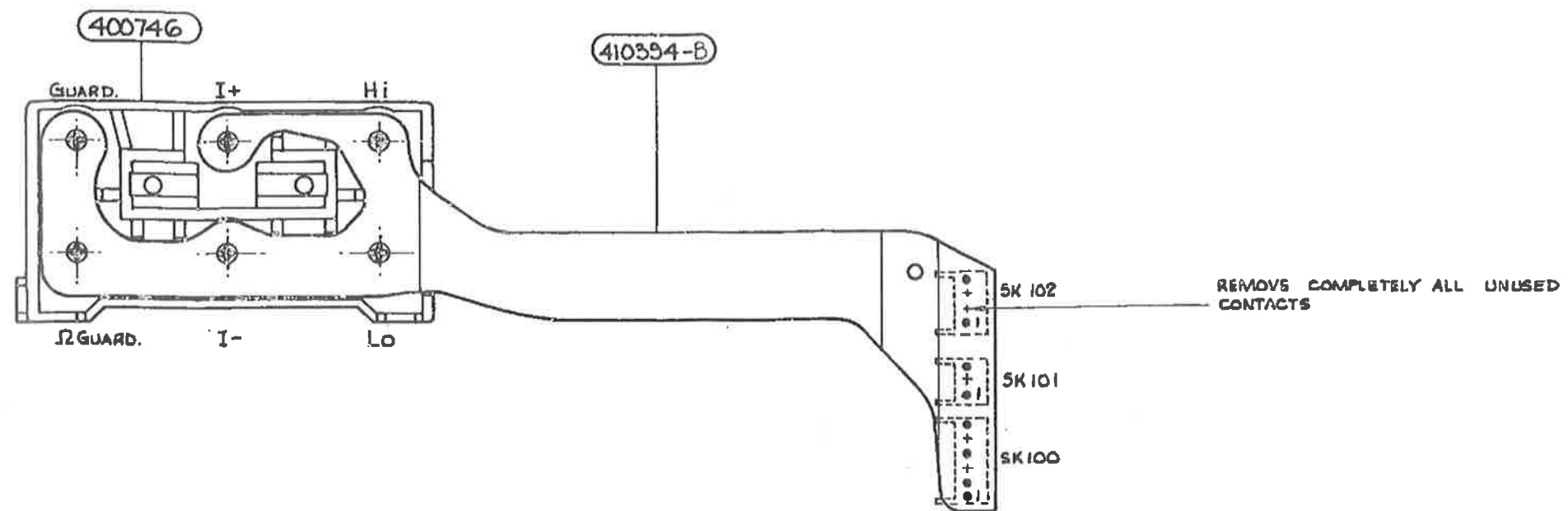
LOW VOLTAGE TRANSFORMER ASSEMBLY

Drawing No. 480750 Sheet 1

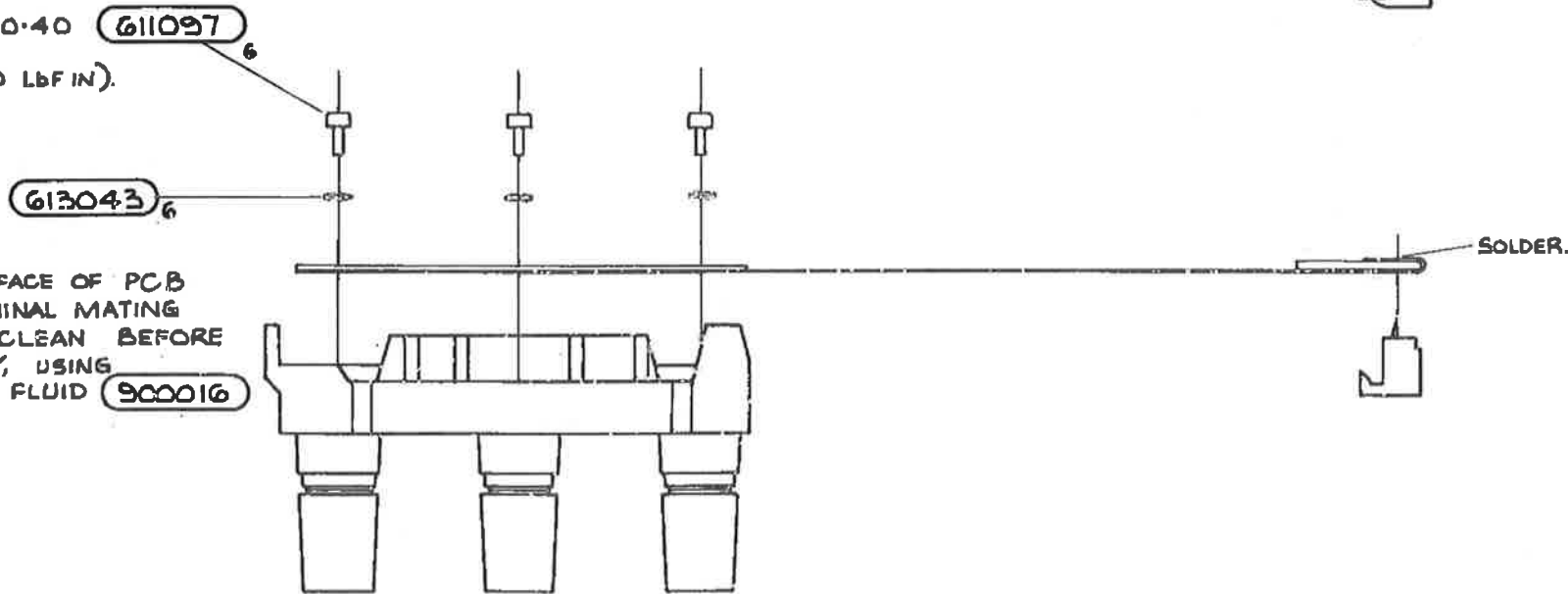


© Datron Instruments 1989

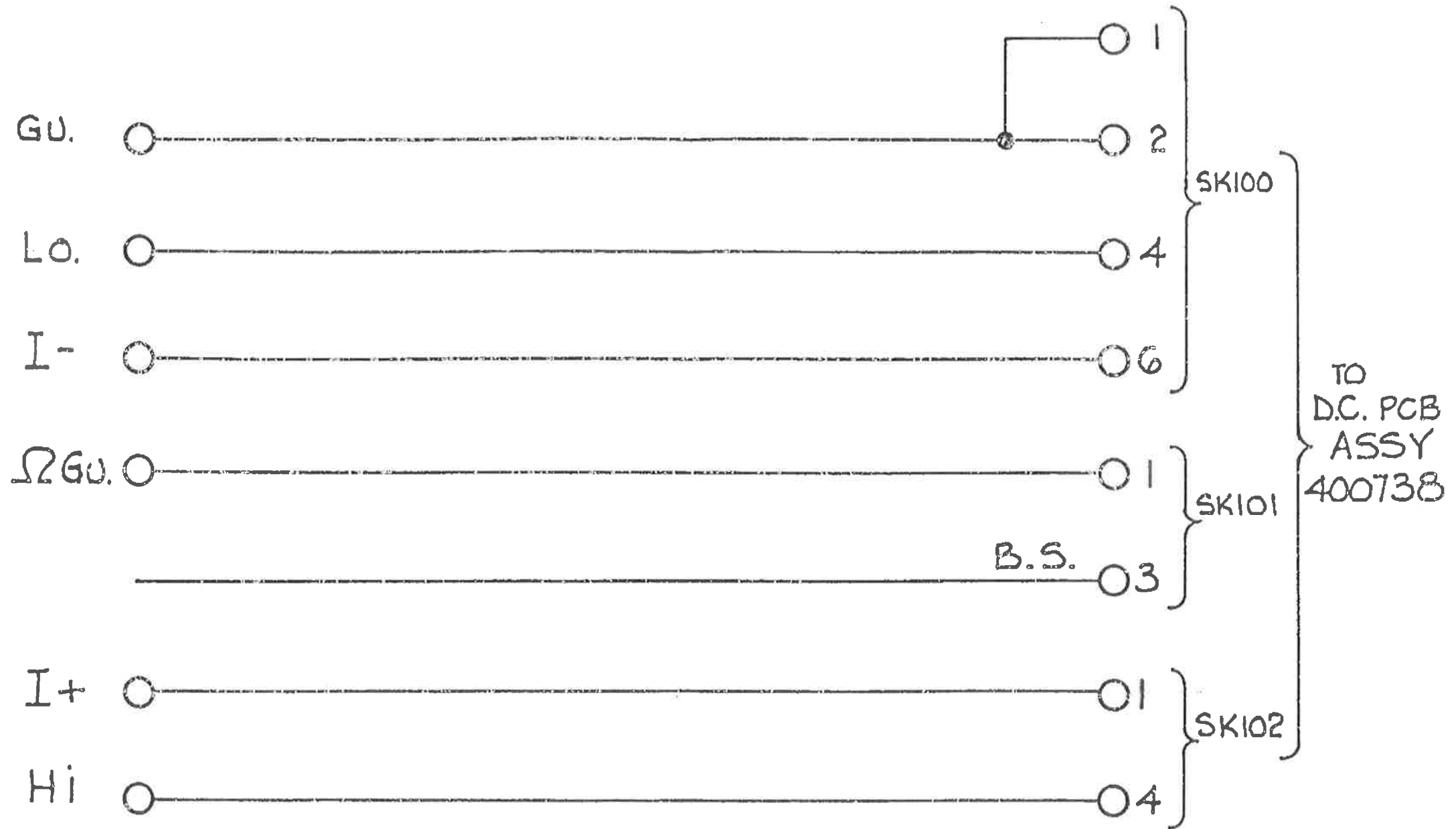
1271



TIGHTEN TO 0.40
TO 0.45 Nm.
(3.6 TO 4.0 lbf in).



FRONT
PANEL
TERMINALS.



TERMINAL ASSEMBLY


Drawing No. 430770

Sheet 1

1271
datron
WAVETEK

© Datron Instruments 1989



Drawing No LD400891		CHKD	
DOCUMENT LIST		DATE	
DESCRIPTION		ECO	
DL	WM	REVISION	
		ISSUE	
		1.0.3128 JAN 89	
DESCRIPTION	DRAWING NUMBER	SHEET NUMBER	ISSUE - REVISION
PCB	LD400891	ALL	
ASSEMBLY DRAWING	DA400891	1	
	DA400891	2	
	DA400891	3	
	DA400891	4	
CIRCUIT DIAGRAM			
TEST PROCEDURE			
TEST SPECIFICATION			
PCB			
NOTES			
<input type="checkbox"/> DENOTES NO CHANGE TO DOCS AT ISSUE LEVEL CHANGE		DRN DATE 4 JAN 89	CHKD DATE APPD DATE TITLE 1271 FINISHED INSTR. ASSY. DRAWING No LD400891 SHEET 1 OF 1

DATRON INSTRUMENTS LTD PARTS LIST 19-Dec-88 DESC: ASSY FINISHED INST 1271 DRG NO: LP400891-1 REV: 0 PAGE NO: 1

DESIG	PART NO	DESCRIPTION	PRINC MANUF	MANUF PART NUMBER	CLASS	UM	QUANTITY	CHANGES
	400741-2	ASSY PCB AC 1281	DATRON	SEE DRG			EA	1
	400742-2	ASSY PCB OHMS 1281	DATRON	SEE DRG			EA	1
	400743-2	ASSY PCB CURRENT 1281	DATRON	SEE DRG			EA	1
	400745-1	ASSY BEZEL	DATRON	SEE DRG			EA	1
	400747-1	ASSY TOP COVER 1281	DATRON	SEE DRG			EA	1
	400748-1	ASSY BOTTOM COVER 1281	DATRON	SEE DRG			EA	1
	400770-1	ASSY TERMINAL	DATRON	SEE DRG			EA	1
	40092-1	ASSY INSTRUMENT 1271	DATRON	SEE DRG			EA	1
	420074-1	LABLE MOD RECORD 1281		SEE DRG			EA	1
	420101-1	MODEL LABEL		SEE DRG			EA	1
	440152-1	KIT 50 WAY D CONNECTOR	DATRON	SEE DRG			EA	2
	440153-1	KIT RACK MFG 1281	DATRON	SEE DRG			EA	1
	450495-1	HANDLE LOCKING ROD 1281		SEE DRG			EA	2
	450532-1	CATCH PLATE 1281		SEE DRG			EA	4
	450533-1	HANDLE MAGNET 1281		SEE DRG			EA	4
	450535-1	PACKING BOX 1281		SEE DRG			EA	1
	450557-1	CORNER BLOCK REAR 1281		SEE DRG			EA	2
	450590-1	CATCH PLATE SPACER 1281		SEE DRG			EA	4
	450614-1	HANDLE EXTRUSION 1281		SEE DRG			EA	2
	450722-1	BADGE INSTRUMENT NUMBER 1271		SEE DRG			EA	1
	604062	PLUG 15 WAY D TYPE	CANNON	DA15P			EA	1
	606031	BACKSHELL 15 WAY D TYPE	CAMBRIDGE CONNECTORS	DAC41PZ			EA	1
	611005	SCREW M3 X 12 POZIPAN SZP					EA	2
	611007	SCREW M3 X 6 POZICKS SZP					EA	4
	611011	SCREW M2.5 X 6 POZIPAN SZP					EA	4
	611016	SCREW M3 X 8 POZIPAN SZP					EA	5
	611088	SCREW M2.5 X 6 POZICKS SZP					EA	2
	611091	SCREW M3 X 8 SKT GRUB SZP					EA	4
	612046	STANDOFF M3 X 16 H/F	G & B PROJECTS	TYPE B M3 X 16 SLOT			EA	4
	613029	WASHER M3 WAVY SS					EA	7
	613051	WASHER M2.5 SQ. SPRING SZP					EA	8
	630223	BAG ANTI STATIC PINK	OK INDUSTRIES	600G (250 X 360)			EA	3
	630224	BAG ANTI STATIC PINK	OK INDUSTRIES	400G (445X571X610)			EA	1
	630255	TAPE SELF ADH. USLE. SIDED	3M	19469 X 1/2" WIDE			AR	1
	630269	CLIP CABLE SELF-ADHESIVE	RICHCO	NWSB			EA	2
	630284	KEY HEX 1.5 A/F	CHALLENGE				EA	1
	630290	GRIPPER BAG 5 X7.5	ABBOTTS PACKING	CODE 128			EA	1
	850251-1	HANDBOOK USERS 1271		SEE DRG			EA	1
	850252-1	HANDBOOK CAL & SERV VOL1 1271		SEE DRG			EA	1
	850253-1	HANDBOOK CAL & SERV VOL2 1271		SEE DRG			EA	1
	850909-1	MANUAL QUICK REF. 1281		SEE DRG			EA	1
	900009	LOCKING COMPOUND	LOCTITE	222			AR	1
	900016	CLEANING FLUID	RS	556-654			AR	1
	900038	ADHESIVE CYANOACRYLATE	PERMABOND	C4			AR	1
	920012	HAIRN LEAD/COHN	BELLING LEE	1/949			EA	1

DESIG	PART NO	DESCRIPTION	PRINC MANUF	MANUF PART NUMBER	CLASS	UN	QUANTITY	CHANGES
	920071	FUSE 1.6A 250V 20MM F	BESWICK	S501			EA 1	
	920203	FUSE 630mA 250V 20MM (T) DELAY	BESWICK	S506	A		EA 1	
	920204	FUSE 1.25A 250V 20MM (T) DELAY	BESWICK	S506	A		EA 1	

End

DRAWING No. LD400892		CHK'D	
DOCUMENT LIST		DATE	
DISTRIBUTION		ECO	
WM		REVISION	
		ISSUE	1.0 3128 KJAN88
DESCRIPTION	DRAWING NUMBER	SHEET NUMBER	ISSUE - REVISION
PARTS LIST	LP400892	1	1.0
ASSEMBLY DRAWING	DA400892	1	1.0
	DA400892	2	1.0
CIRCUIT DIAGRAM			
TEST PROLEDDRE			
TEST SPECIFICATION			
PCB			

NOTES <input type="checkbox"/> DENOTES NO CHANGE TO DOCS AT ISSUE LEVEL CHANGE	 datron PHOTO PLANT WORWICH ENGLAND	DRM	CHK'D	APPO	TITLE	DRAWING No.
		DATE	DATE	DATE	1271 INSTRUMENT ASSY.	LD400892 SHEET 1 OF 1

DATRON INSTRUMENTS LTD PARTS LIST 19-Dec-88 DESC: ASSY INSTRUMENT 1271 DRG NO: LP400892-1 REV: 0 PAGE NO: 1

DESIG	PART NO	DESCRIPTION	PRINC MANUP	MANUP PART NUMBER	CLASS	UM	QUANTITY	CHANGES
	400759-1	ASSY DISPLAY PCB 1281	DATRON	SEE DRG	EA		1	
	400740-1	ASSY PCB DIGITAL 1281	DATRON	SEE DRG	EA		1	
	400866-1	ASSY DC PCB 1271	DATRON	SEE DRG	EA		1	
	400893-1	ASSY CHASSIS 1271	DATRON	SEE DRG	EA		1	
	450499-2	REAR PANEL 1281		SEE DRG	EA		1	
	450528-1	SLIDE BUTTON 1281		SEE DRG	EA		1	
	450542-1	MADE IN ENGLAND BADGE		SEE DRG	EA		1	
	450555-1	FRONT COUPLING 1281		SEE DRG	EA		1	
	611015	SCREW M3 X 8 POZICSK SZP			EA		4	
	611016	SCREW M3 X 8 POZIPAH SZP			EA		11	
	613005	WASHER M3 INT SHAKEPROOF			EA		8	
	613029	WASHER M3 WAVY SS			EA		3	
	617013	RIVET POP 2.4 DOMED HD	GEORGE TUCKER	EYELET TAP/D/33/BH	EA		2	

End

DESIG	PART NO	DESCRIPTION	PRINC MANUF	MANUF PART NUMBER	CLASS	UM	QUANTITY	CHARGES
	430170	PCB GUIDE	RICHO	RCG-2			EA 2	
	630253	SPRING	TERRY	D24190			EA 2	
	630255	TAPE SELF ADH. DBLE. SIDED	JM	Y9469 X 1/2" WIDE			AR 1	
	630256	FOAM TAPE 9WIDE X2MM SELF ADH	TESA	TESANOLL 730			AR 1	
	630266	TIE HOLDER	RICHCO	FTH-2			EA 2	
	630267	FLAT CABLE CLAMP	RICHCO	FCC-16-3			EA 1	
	630286	SHAP RIVET (SR)	RICHCO	SR 3065			EA 4	
	900039	PTFE LUBRICATING SPRAY	RS	551-457			AR 1	
	920082	FUSE HOLDER 20MM PANEL	BELLING LEE	L2002			EA 1	
	920203	FUSE 630mA 250V 20MM (T) DELAY	BESWICK	8506	A		EA 1	

End

DRAWING No 400745	CHECK	
	DATE	
	E.C.O.	
	REVISION	
	ISSUE	
	1.0	2722 8.12.87 J.S.
	1.1	BISS B06CB A

DESCRIPTION	DRAWING NUMBER	SHEET NUMBER	ISSUE - REVISION	
COMP. LAYOUT	480745	1	1.0	1.1

NOTES <input type="checkbox"/> DENOTES NO CHANGE TO DOCS AT ISSUE LEVEL CHANGE	datron NORWICH ENGLAND	DRN B.S.J. DATE 8th MAY 87	CHKD G.R. DATE 3 July 87	APPR R.W. DATE 21 Dec 87	TITLE 1281 BEZEL ASSEMBLY	DRAWING No. 400745 SHEET 1 OF 2
---	----------------------------------	-------------------------------------	-----------------------------------	-----------------------------------	---------------------------------	--

DESIGNATOR	DATRON PART No.	DESCRIPTION	PRINCIPAL MANUFACTURER	MANUFACTURER'S PART No.	No. USED Per Assy.
	450562 - 1	WINDOW ADHESIVE R.H.			1
	450546 - 2	FILTER. R.H.			1
	450516 - 1	WINDOW ADHESIVE L.H.			1
	450545 - 2	FILTER. L.H.			1
	450489 - 1	BEZEL.			1
	450604 - 1	GUARD TERMINAL BADGE.	DIAMETRICS		1
	450606 - 1	HI/Lo TERMINAL BADGE.	"		1
	450605 - 1	CURRENT TERMINAL BADGE.	"		1
	450602 - 1	DATRON LOGO BADGE.	"		1
	450603 - 1	SELF CAL BADGE.	"		1
	400744 - 1	1281 SWITCH PCB ASSY.	DATRON.		1
	611011	M2.5x6mm POZI-PAN STEEL	ZN. PL.		2
	613014	M2.5 INT. SHAKEPROOF WASHER.			4
	611096	M2.5x12mm POZI-PAN STEEL	ZN. PL.		2
	450531 - 1	KEYCAP SET			1
	900016	CLEANING FLUID	RS.	556-654	A/R.
	613012	M2.5 PLAIN WASHER.	ZN. PL.		4

NOTES	DATE 8th MAY 87.	datron ELECTRONICS LTD
SEE SHEET 2 FOR LATEST ISSUE	DRN B.S. JACKSON	TITLE 1281 BEZEL ASSEMBLY
	CHKD 	DRAWING NUMBER 400745
	APPROVED 	SHEET 2 OF 2
	DATE 21 Dec 87	

DRAWING NO 400747			CHKD 13/11/87	DATE 17/5/88	E.C.O.	REVISION 1.0 2718 30/11/87	ISSUE	1.1 2812 17.5.88	1.2 2948 28.7.88	1.3 3176 23/06/88
DRAWING NUMBER 480747			SHEET NUMBER 1	ISSUE - REVISION	1.0	1.1	1.2	1.3	1.1	1.2
DRAWING NUMBER 400747			SHEET NUMBER 2	ISSUE - REVISION						
DESCRIPTION COMP LAYOUT.	DRAWING NUMBER 480747	SHEET NUMBER 1	ISSUE - REVISION	1.0	1.1					
L.P.	400747	2	ISSUE - REVISION							

NOTES
 DENOTES NO CHANGE TO DOCS AT ISSUE LEVEL CHANGE

datron LTD. ELECTRONICS LTD. NORWICH ENGLAND

DRW B.S.J. DATE 5th MAY 87

CHKD B.S.J. DATE 17 5 88

DATE 13/11/87

TITLE 1281 TOP COVER ASSEMBLY.

DRAWING No. 400747 SHEET 1 of 2


400747

DESIGNATOR	DATRON PART No.	DESCRIPTION	PRINCIPAL MANUFACTURER	MANUFACTURER'S PART No.	No. USED Per Assy.
	617016	Ø 5.0 ANCHOR PIN	PSM.	AP2-B-5-0-6. ZN.PL.	3
	450505-1	TOP GUARD SCREEN.			1
	630254	NYLON SHOULDER WASHER	MICRO PLASTICS.	12S WS 2542.	3
	617018	PUSH ON FASTENER	BAKER & FINHEMORE	ZP 6498	2
	450503-2	EARTH SCREEN.			1
	450490-1	TOP COVER.			1
	900038.	CYANOACRYLATE ADHESIVE	PERMABOND	CA.	A/R.

NOTES.

SEE SHEET 2 FOR LATEST ISSUE

DATE 5th MAY 87.	datron ELECTRONICS LTD
DRAWN B.S. JACKSON	TITLE 1281
CHECKED	TOP COVER ASSEMBLY.
APPROVED	DRAWING NUMBER 400747.
DATE	SHEET 2 of 2.

DRAWING No. 400749		CHG D	1.0	2718	30.11.87	45
OI WM		DATE	1.0	2759	3. MAR 88	40
		ECD	2.0	3026	2. SEP 88	40
		REVISION	3.0	3160	19 DEC 88	40
		ISSUE				
DESCRIPTION	DRAWING NUMBER	SHEET NUMBER	ISSUE - REVISION			
COMP. LAYOUT	480749	1	1.0	1.1	2.0	3.0
<p>NOTES</p> <input type="checkbox"/> DENOTES NO CHANGE TO DOCS AT ISSUE LEVEL CHANGE						
			DRN B.S.J.	CHK D ELR	TITLE 1281	DRAWING No. 400749
			DATE 16. MAR 87	DATE 17. MAR 88	MAINS TRANSFORMER ASSEMBLY.	SHEET 1 of 2


400149

DESIGNATOR	DATRON PART No.	DESCRIPTION	PRINCIPAL MANUFACTURER	MANUFACTURER'S PART No.	No. USED Per Assy.
	300029 - 3	MAINS TRANSFORMER		SEE DRG.	1
	450560 - 1	MAINS SWITCH MOUNTING PLATE.			1
	510000	7/0-2 PVC. INSULATED BLACK WIRE.			A/R
	510111	7/0-2 PVC. INSULATED BROWN WIRE.			A/R
	510333	7/0-2 PVC. INSULATED ORANGE WIRE.			A/R
	590002	RUBBER SLEEVE H30X25			6
	590001	1.5mm I/D SLEEVES.			7
	590029	Ø 9.0 POLYOLEFIN HEATSHRINK SLEEVE. HELLERMAN.	SFM9 - 3 BK		A/R
	590031	Ø 3.2 HEATSHRINK SLEEVE			A/R
	605077	CRIMP TERMINAL GD. PL.	MOLEX	08-56-0106	8
	605154	8WAY 0.156" HOUSING	MOLEX	09-91-0800	1
	611054	M2 X 6mm SLOT C&K STEEL ZN PL.			2
	613009	4BA SOLDER TAG BRASS TR PL.			1
	613027	M2 INTERNAL SHAKE PROOF			2
	615016	M2 FULL NUT STEEL ZN PL			2
	700110	SWITCH PUSH BUTTON MAINS. ITT		IXNE18 - 2AEE - 003 CHASSIS	1
	700111	SWITCH VOLTAGE SELECTOR C & K		V202-12-98-05-GA	1

NOTES.

SEE SHEET 2 FOR LATEST ISSUE

ISS																				
TCO																				
DATE																				
FWO																				

DATE 16th MAR. 87.	
DRAWN B.S. JACKSON	TITLE 1281.
CHECKED	MAINS TRANSFORMER ASSY.
APPROVED	DRAWING NUMBER 400749
DATE	SHEET 2 OF 2

DESCRIPTION	DRAWING NUMBER	SHEET NUMBER	ISSUE	REVISION			DATE						
				ISSUE	REVISION	ISSUE	DATE	DATE	DATE	DATE			
				1.0	1.0	1.0	21.12.87	17.12.87	17.12.87				
				1.0	1.0	1.0	21.12.87	17.12.87	17.12.87				
				2.0	2.0	2.0	03.03.88	03.03.88	03.03.88				
				3.0	3.0	3.0	19.04.88	19.04.88	19.04.88				

DESCRIPTION	DRAWING NUMBER	SHEET NUMBER	ISSUE + REVISION			
COMP. LAYOUT.	480750	1	1.0	1.1	2.0	3.0

NOTES	DENOTES NO CHANGE TO DOCS AT ISSUE LEVEL CHANGE	datron ELECTRONICS LTD HORWICH ENGLAND	DWG B.S.J	CHKD GIC	APP'D <i>ReP</i>	TITLE 12B1. LOW VOLTAGE TRANSFORMER ASSY.	DRAWING No. 400750
			DATE 17.MAR.87	DATE 3.3.87	DATE 21.03.87		SHEET 1 OF 2

400750

DESIGNATOR	DATRON PART No.	DESCRIPTION	PRINCIPAL MANUFACTURER	MANUFACTURER'S PART No.	No. USED Per Assy.
	300030-3	LOW VOLTAGE TRANSFORMER		SEE DRG.	1
	510999	7/0-2 PVC INSULATED WIRE	WHITE		A/R.
	590002	RUBBER SLEEVE HBOX	25mm		12
	590031	Ø 3-2 HEATSHRINK SLEEVE.			A/R.
	605053	12WAY 0-1" HOUSING.	MOLEX	22-01-2125	1
	605057	CRIMP TERMINAL GD. PL.	MOLEX	4809-GL	12
	605077	CRIMP TERMINAL GD. PL.	MOLEX	08-56-0106	10
	605141	5WAY 0-156" HOUSING	MOLEX	09-91-0500	1
	605155	6WAY 0-156" HOUSING	MOLEX	09-91-0600	1
	613009	4BA SOLDER TAG BRASS IMPL.			1


DTES.										DATE 17th MAR 87	datron ELECTRONICS LTD TITLE 12B1. LOW VOLTAGE TRANSFORMER ASSEMBLY. DRAWING NUMBER 400750	
SEE SHEET 2 FOR LATEST ISSUE										DRN B.S.JACKSON		
										CHKD		
										APP'D <i>ReP</i>		
										DATE 21.03.87		
REV												2 SHEET OF 2
ECD												
DATE												
CHKD												

DRAWING No. 400753			CHK D			
			DATE	1.0 2682 190187-1 1.1 2929 15JUN88		
			ECO			
			REVISION			
			ISSUE			
DESCRIPTION	DRAWING TRUMPER	SHEET NUMBER	ISSUE - REVISION			
COMP. LAYOUT.	480753	1	1.0	1.1		
NOTES <input type="checkbox"/> DENOTES NO CHANGE TO DOCS AT ISSUE LEVEL CHANGE			datron <small>INSTRUMENTS LTD</small> <small>NORWICH ENGLAND</small>	DRW B.S.J. DATE 9.6.87. CHK D <i>BS</i> DATE <i>12 JUN 87</i> APPROVED <i>[Signature]</i> DATE <i>12 JUN 87</i>	TITLE 1281 CABLE ASSEMBLY.	DRAWING No. 400753 SHEET 1 of 2.

400753 DESIGNATOR	DATRON PART No.	DESCRIPTION	PRINCIPAL MANUFACTURER	MANUFACTURER'S PART No.	No. USED Per Assy.
1.	G05163	6WAY 0.1" PITCH HOUSING.	MOLEX	22-01-2065.	2
2.	G05162	3WAY 0.1" PITCH HOUSING.	MOLEX	22-01-2035	2
3.	G05051	4WAY 0.1" PITCH HOUSING.	MOLEX	22-01-2045	2
4.	G05057	CRIMP TERMINAL G.D.PL.	MOLEX	4809-GL	18
5.	512999	7/0.2 PTFE INSULATED WHITE WIRE.			0.855M.
6.	G30272	FANNING STRIP.	PANDUIT	FS 156-C	A/R

NOTES.
SEE SHEET 8 FOR LATEST ISSUE


DATE	10 JUNE 87.	datron ELECTRONICS LTD TITLE 1281 CABLE ASSEMBLY. DRAWING NUMBER 400753	SHEET 2 OF 2
DRW	B.S.JACKSON.		
CHECKED			
APPROVED			
DATE			

DRAWING No. 400757		CHKD					
		DATE	1.0: 2682 9 OCT 87				
		ECO	1.1: 2192 2 MAR 87				
		REVISION					
		ISSUE					
DESCRIPTION	DRAWING NUMBER	SHEET NUMBER	ISSUE - REVISION				
COMP LAYOUT.	480757.	1	1.0	1.1			
NOTES: <input type="checkbox"/> DENOTES NO CHANGE TO DOCS AT ISSUE LEVEL CHANGE		 datron HORIZONTAL SYSTEMS HORWICH ENGLAND		DWN BY: BSJ DATE: 27.5.87	CHKD BY: GRC. DATE: 27 MAY 87	TITL 1281 CABLE ASSEMBLY	DRAWING No. 400757 SHEET 1 OF 2

400757 DESIGNATOR	DATRON PART No.	DESCRIPTION	PRINCIPAL MANUFACTURER	MANUFACTURER'S PART No.	No. USED Per Assy.
	570001	16 WAY RIBBON CABLE	3M	3365/16	A/R
	605148	16 WAY 0.1"X0.1" GRID I.D.C.	3M	3462-6616 EY.	2

NOTES.

SEE SHEET 1 FOR LATEST ISSUE

DATE	27 MAY 87	 datron ELECTRONICS LTD TITLE 1281 CABLE ASSEMBLY.
DRAWN BY	BS JACKSON.	
CHECKED		
DATE		
DATE		DRAWING NUMBER 400757
		SHEET 2 of 2

DRAWING No 400758	CLASS	DATE	ECO	REVISION	ISSUE	1.0 2673 190187 MD	1.1 18092 18-9-86 N	2.0 13162 8DEC88					
WM DI													
DESCRIPTION	DRAWING NUMBER	ISSUE - REVISION											
COMP LAYOUT	480758	1	1.0	1.1	2.0								
NOTES													
<input type="checkbox"/> DENOTES NO CHANGE TO DOCS AT ISSUE LEVEL CHANGE			datron <small>FOR THE ELECTRONIC INDUSTRY LTD LONDON</small>		DRN B.S.J. DATE 27 MAY 87	CHKD C.R.C. DATE 28 MAY 87	APP'D DR DATE 16 Oct 87	TITLE 1281 CABLE ASSEMBLY		DRAWING No. 400758 <small>SHEET 1 OF 2</small>			

DESIGNATOR	DATRON PART No.	DESCRIPTION	PRINCIPAL MANUFACTURER	MANUFACTURER'S PART No.	No. USED Per Assy.
1.	570001	16WAY RIBBON CABLE	3M	3265/16	A/R
2.	604080	16WAY 0.1"x0.1" GRID TRANSITION	3M	3916-0000T	1
3.	605148	16WAY 0.1"x0.1" GRID. IDC.	3M	3452-6616 EY	1
NOTES					
SEE SHEET 1 FOR LATEST ISSUE					
ISS					
ECO					
DATE					
CHKD					

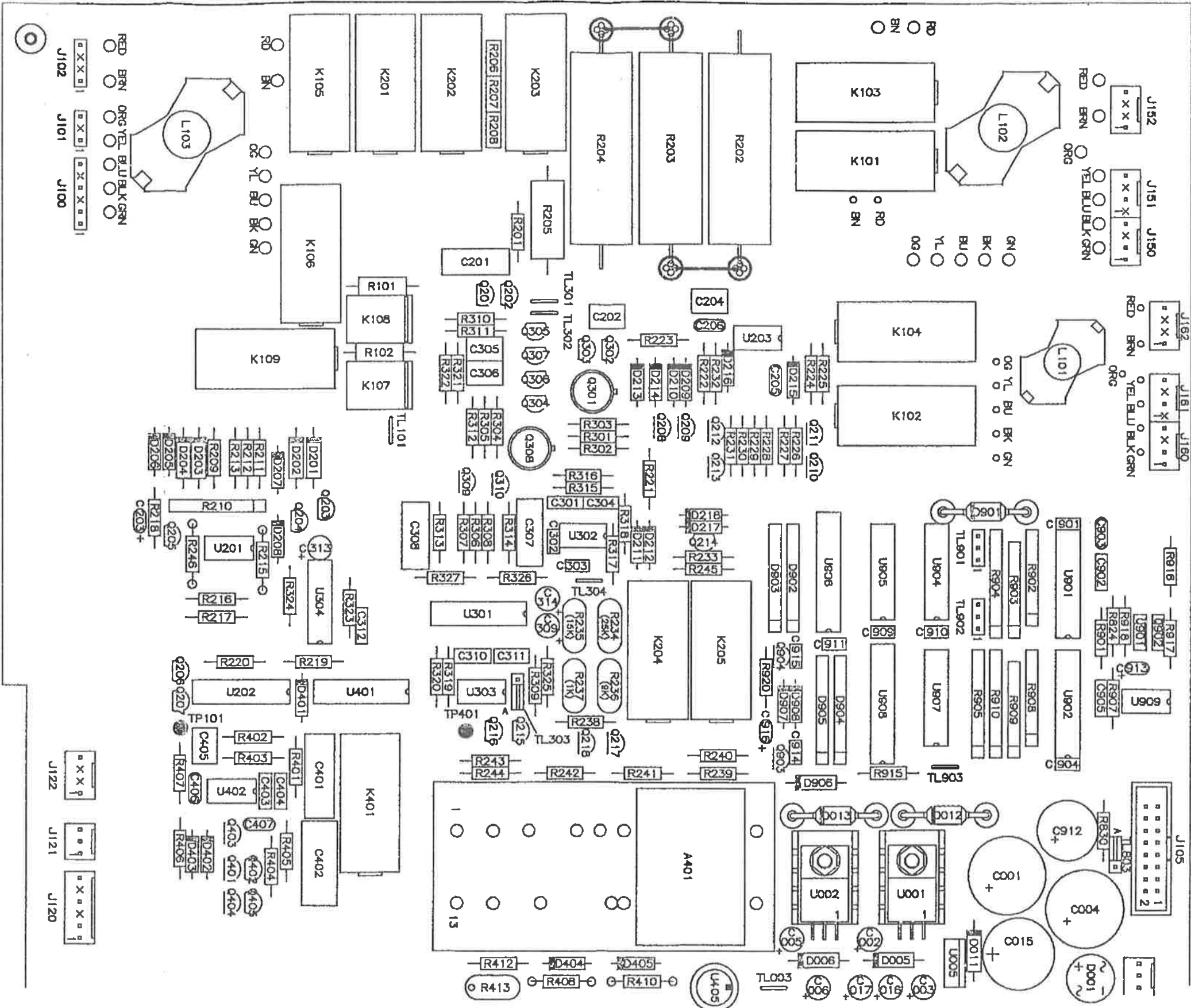
DATE 27th MAY. 87.	datron ELECTRONICS LTD	TITLE 1281 CABLE ASSEMBLY.	
DRN B.S.JACKSON.	APPROVED	DRAWING NUMBER 400758	SHEET 2 OF 2

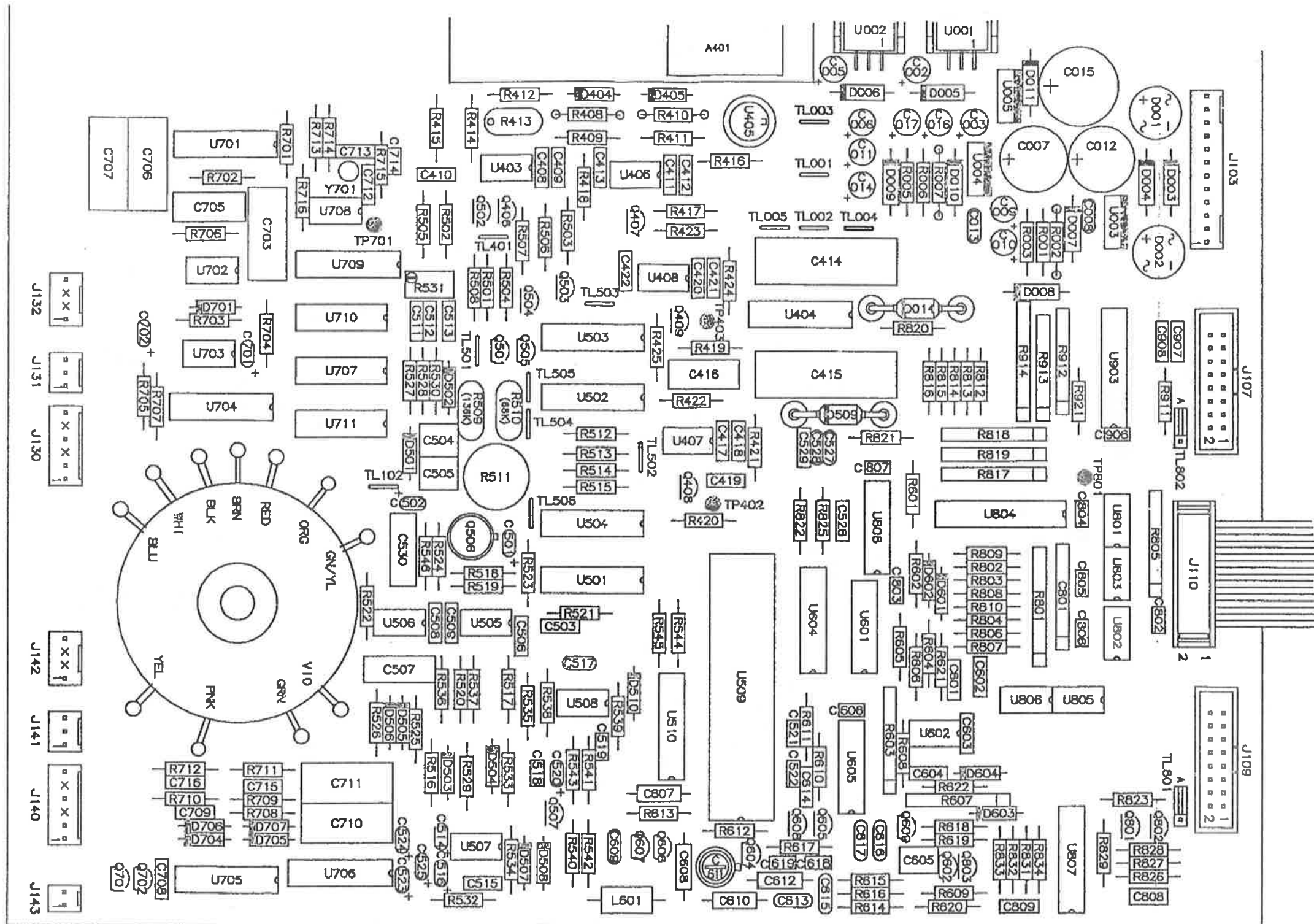
DRAWING No 400770		CIRCD	
DI WM		DATE	
		ECD	
		REVISION	
		ISSUE	1-0 2718 13/11/87 92
DESCRIPTION	DRAWING NUMBER	SHEET NUMBER	ISSUE - REVISION
COMP. LAYOUT.	480770	1	1-0
SCHEMATIC	430770	1	1-0
PCB.	410394	B	
NOTES <input type="checkbox"/> DEFICIES NO CHANGE TO DOCS AT ISSUE LEVEL CHANGE		datron <small>INTERNATIONAL LTD</small> <small>MURWICH ENGLAND</small>	
<small>DRN</small> AS JACKSON <small>DATE</small> 30.7.87		<small>CIRCD</small> elr <small>DATE</small> 27/6/87	
<small>TITLE</small> 1281 TERMINAL ASSEMBLY		<small>DRAWING No.</small> 400770 <small>SHEET 1 of 2</small>	

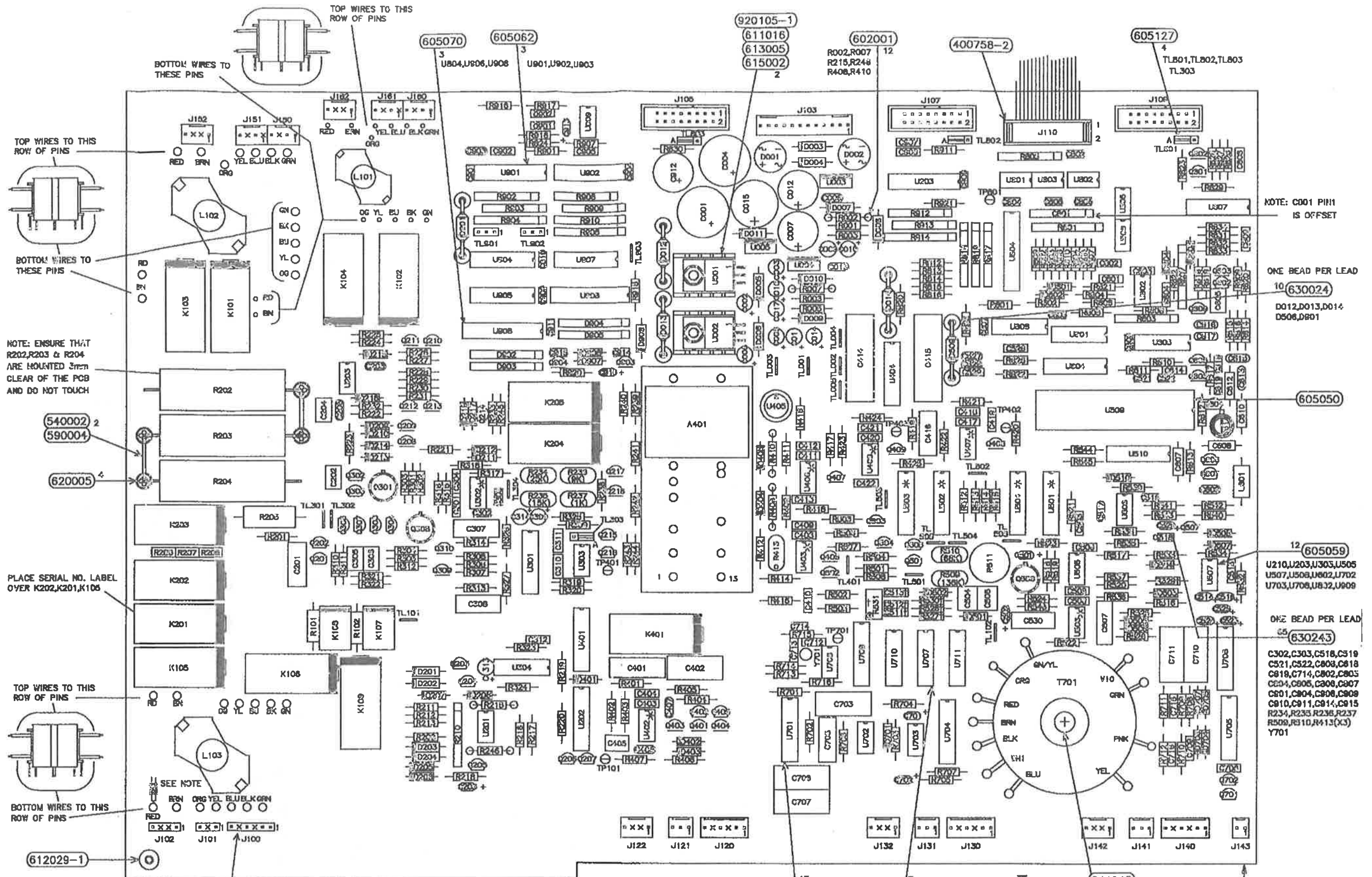
400770 DESIGNATOR	DATRON PART No.	DESCRIPTION	PRINCIPAL MANUFACTURER	MANUFACTURER'S PART No.	No. USED Per Assy.
	400746-1	1288 TERMINAL MECH ASSY			1
	410394-B	FRONT INPUT FLEXIBLE PCB.			1
	611097	M2X6mm PZEE - PAN. STEEL. BRIGHT ZINC PLATE.			6
	613043	M2 WAVEY WASHER			6
	900016	CLEANING FLUID	RS.	586-654	A/R
SK 100	605157	6WAY 0.1" PCB SOCKET.	MOLEX	22-18-2063	1
SK 101	605156	3WAY 0.1" PCB SOCKET.	MOLEX	22-18-2033	1
SK 102	605158	4WAY 0.1" PCB SOCKET.	MOLEX	22-18-2043	1

NOTES									
SEE SHEET 1 FOR LATEST ISSUE									
DATE	30 JULY 87			datron ELECTRONICS LTD <small>TITLE</small> 1281 TERMINAL ASSEMBLY					
DESIGNED BY	AS JACKSON			<small>DRAWING NUMBER</small> 400770					
CHECKED				<small>SHEET</small> 2 <small>OF</small> 2					
APPROVED									
DATE									









TOP WIRES TO THIS ROW OF PINS

BOTTOM WIRES TO THESE PINS

NOTE: ENSURE THAT R202, R203 & R204 ARE MOUNTED 3mm CLEAR OF THE PCB AND DO NOT TOUCH

PLACE SERIAL NO. LABEL OVER K202, K201, K106

TOP WIRES TO THIS ROW OF PINS

BOTTOM WIRES TO THIS ROW OF PINS

NOTE: MOUNT FERRITE BEAD ON RED LEAD AS SHOWN

REMOVE PINS SHOWN THIS 'X'

COMPONENTS MARKED THIS † ARE NOT TO BE FITTED R527, R528, R529, R530, R531 CS11, CS12, CS13

COMPONENTS MARKED THIS * DENOTES COMPONENTS NOT FITTED IN SOCKETS U302, U402, U403, U406, U407, U408 U501, U502, U503, U504, U506

U202, U301, U401, U404 U510, U604, U701, U704 U705, U706, U709, U807 U904, U905, U907 U801+U803, U805+U806

U304, U601, U605 U707, U710, U711 U608

611015 612031-1 613049 900009

TIGHTEN TO A TORQUE OF 0.4Nm

NOTE: C001 PIN1 IS OFFSET

ONE BEAD PER LEAD 10 630024 D012, D013, D014 D506, D801

605050

12 605059 U210, U203, U303, U505 U507, U508, U602, U702 U703, U706, U832, U609

ONE BEAD PER LEAD C5 630243

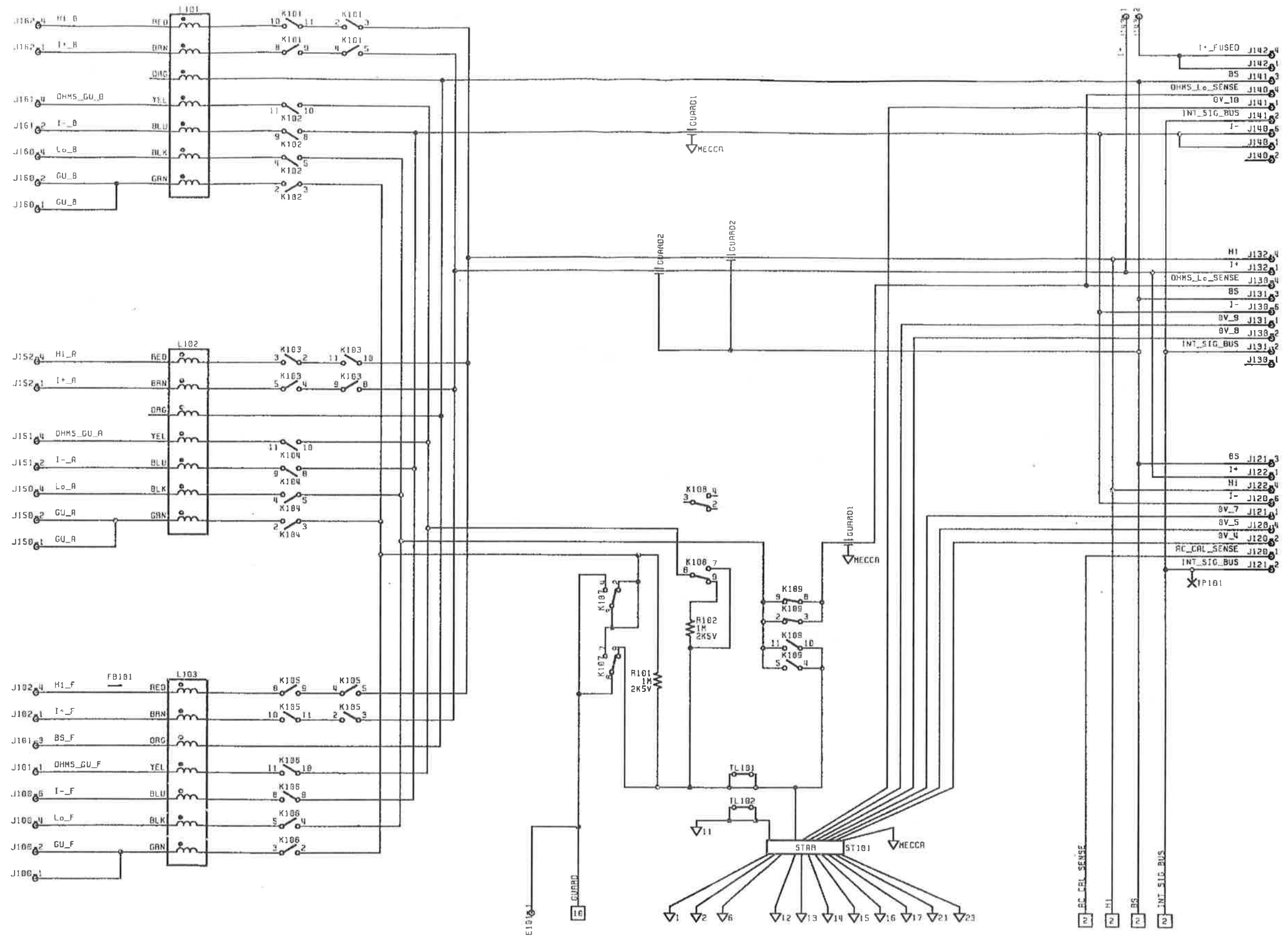
C302, C303, C518, C519 C521, C522, C803, C818 C819, C714, C802, C803 C804, C805, C806, C807 C801, C804, C806, C809 C810, C811, C814, C815 R234, R235, R236, R237 R508, R510, R413(X3) Y701



© Datron Instruments 1989

D.C. ASSEMBLY

Drawing No. DA400866 Sheet 1 of 3
N.B. expanded versions are on Sheets 2 and 3 (page 11.2-1)



D.C. ASSEMBLY

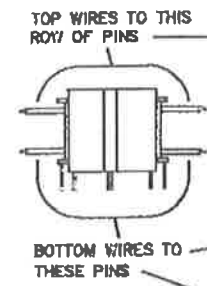
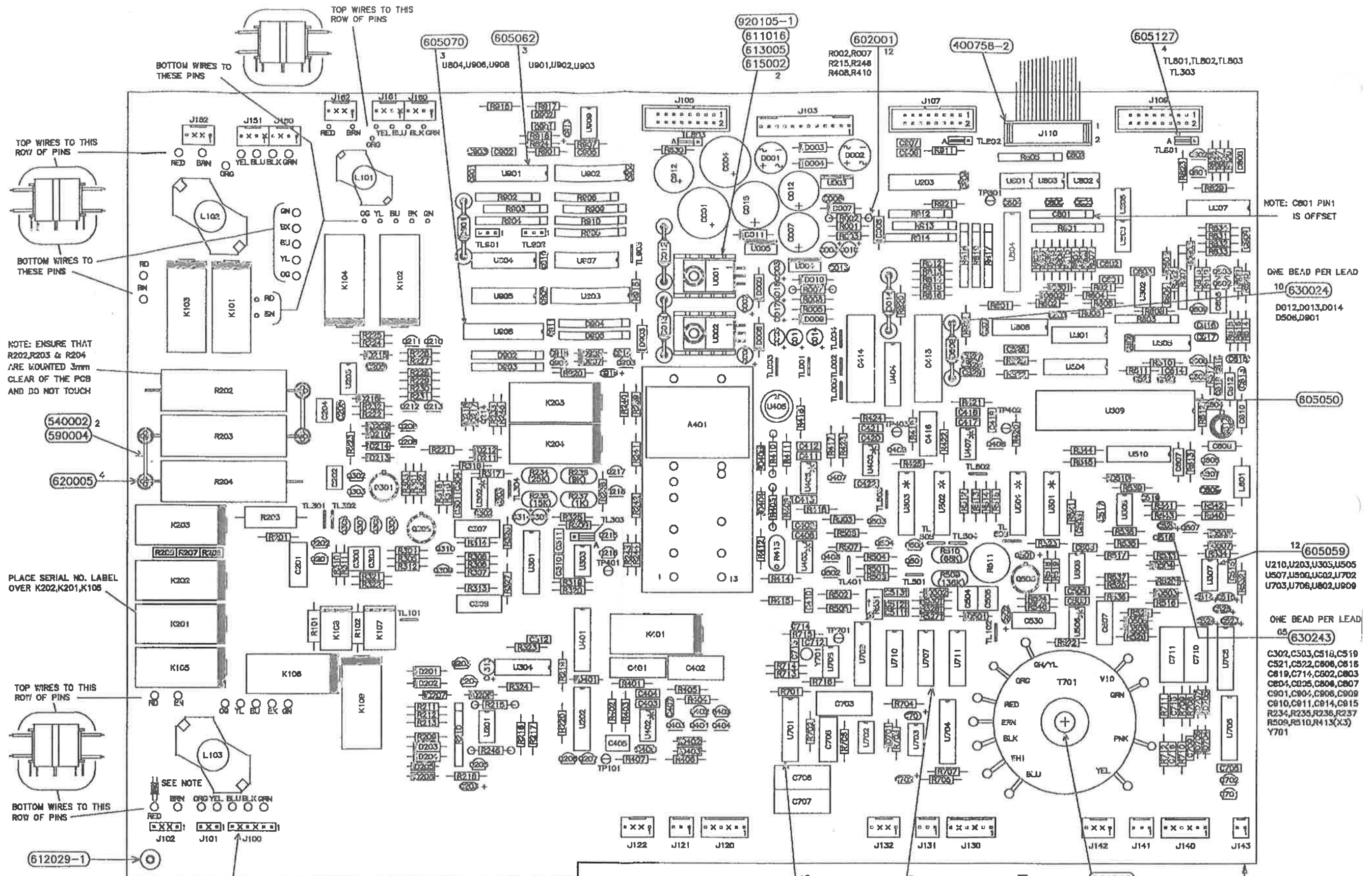
Input Signal Switching

Drawing No. DC400866

Sheet 1 of 10

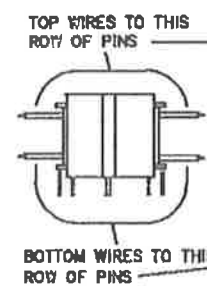


© Datron Instruments 1989



NOTE: ENSURE THAT R202, R203 & R204 ARE MOUNTED 3mm CLEAR OF THE PCB AND DO NOT TOUCH

PLACE SERIAL NO. LABEL OVER K202, K201, K108



NOTE: MOUNT FERRITE BEAD ON RED LEAD AS SHOWN

REMOVE PINS SHOWN THIS 'X'

COMPONENTS MARKED THIS † ARE NOT TO BE FITTED
R527, R528, R529, R530, R531
C511, C512, C513

COMPONENTS MARKED THIS * DENOTES COMPONENTS NOT FITTED IN SOCKETS
U302, U402, U403, U406, U407, U408
U501, U502, U503, U504, U506

U202, U301, U401, U404
U510, U804, U701, U704
U705, U708, U709, U807
U804, U905, U907
U801+U803, U805+U806

U304, U801, U805
U707, U710, U711
U808

TIGHTEN TO A TORQUE OF 0.4Nm

NOTE: C801 PIN1 IS OFFSET

ONE BEAD PER LEAD
10 630024
D012, D013, D014
D506, D801

ONE BEAD PER LEAD
05 630243

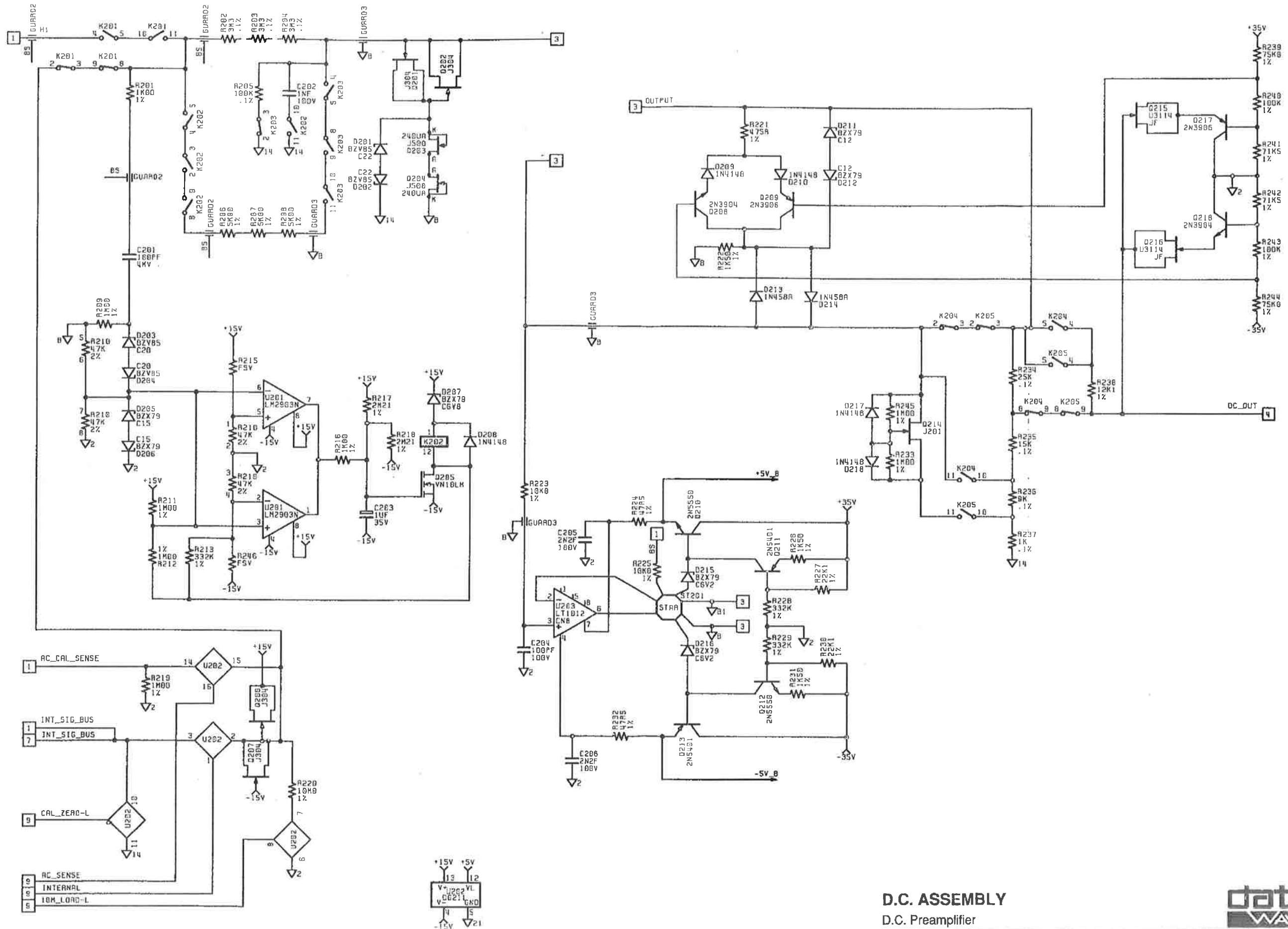
C302, C503, C518, C519
C521, C522, C806, C815
C819, C714, C802, C803
C804, C035, C806, C807
C801, C804, C806, C809
C810, C811, C814, C815
R234, R235, R236, R237
R508, R510, R413(X3)
Y701



© Datron Instruments 1989

D.C. ASSEMBLY

Drawing No. DA400866 Sheet 1 of 3
N.B. expanded versions are on Sheets 2 and 3 (page 11.2-1)



D.C. ASSEMBLY

D.C. Preamplifier

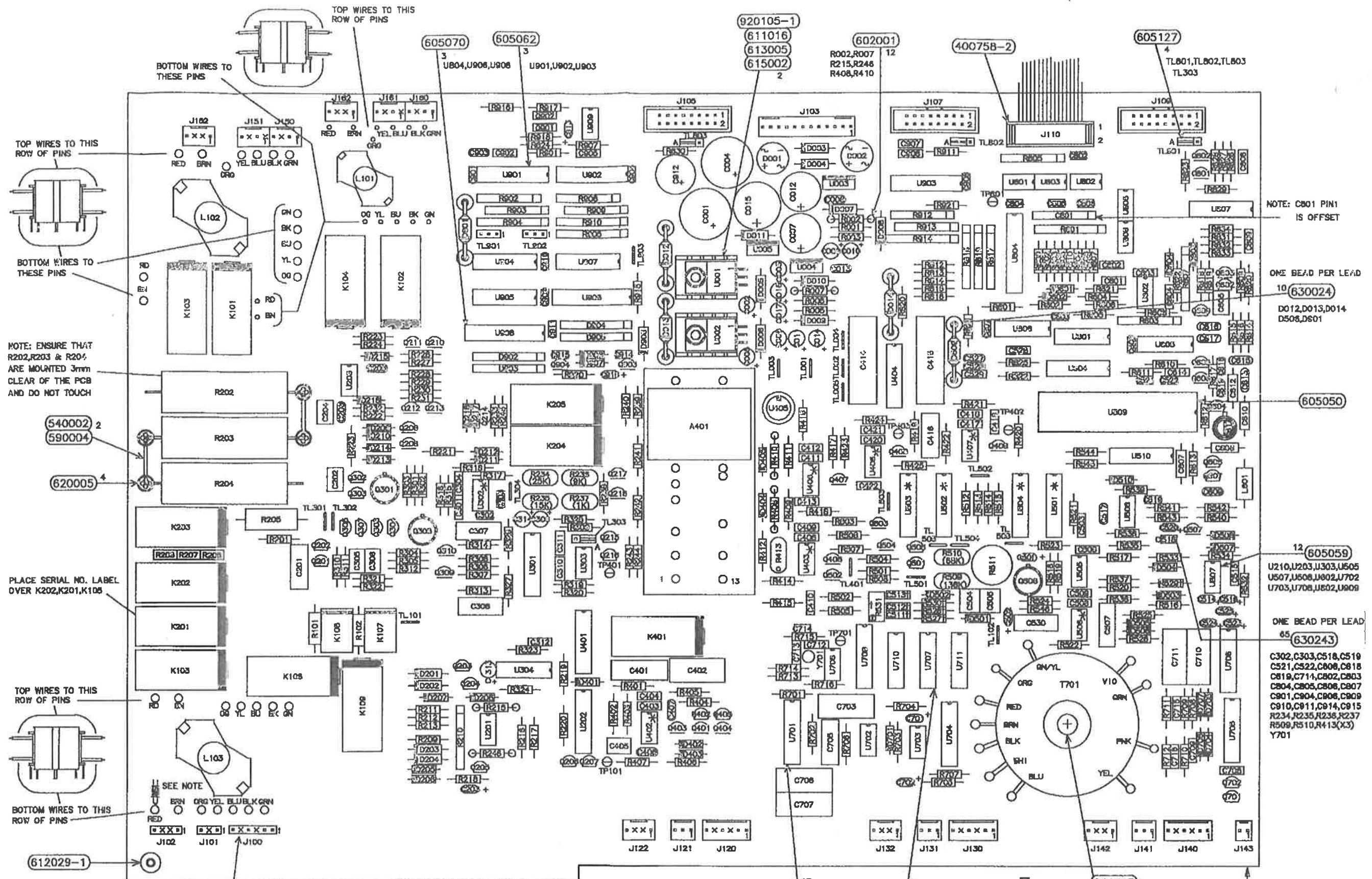
Drawing No. DC400866

Sheet 2 of 10



© Datron Instruments 1989

1271



NOTE: ENSURE THAT R202, R203 & R204 ARE MOUNTED 3mm CLEAR OF THE PCB AND DO NOT TOUCH

PLACE SERIAL NO. LABEL OVER K202, K201, K108

SEE NOTE
RED BRN GRN YEL BLU BLK GRN

NOTE: MOUNT FERRITE BEAD ON RED LEAD AS SHOWN

REMOVE PINS SHOWN THIS *

COMPONENTS MARKED THIS † ARE NOT TO BE FITTED
R527, R528, R529, R530, R531
C511, C512, C513

COMPONENTS MARKED THIS * DENOTES COMPONENTS NOT FITTED IN SOCKETS
U302, U402, U403, U406, U407, U408
U904, U905, U907
U501, U502, U503, U504, U506

NOTE: C801 PIN1 IS OFFSET

ONE BEAD PER LEAD
D012, D013, D014
D508, D601

ONE BEAD PER LEAD
C302, C303, C518, C519
C521, C522, C808, C818
C819, C714, C802, C803
C804, C805, C806, C807
C801, C804, C806, C809
C910, C811, C914, C915
R234, R235, R236, R237
R509, R510, R413(X3)
Y701

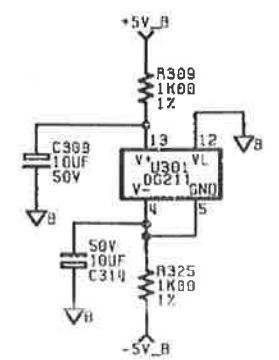
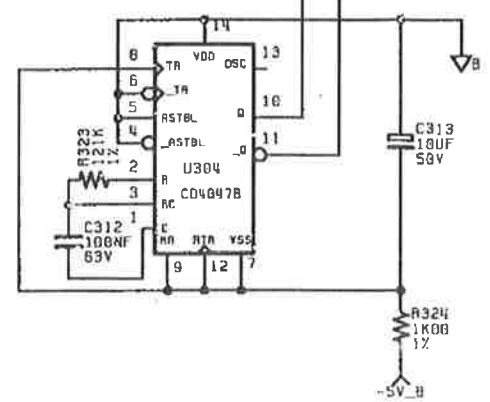
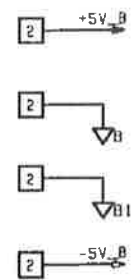
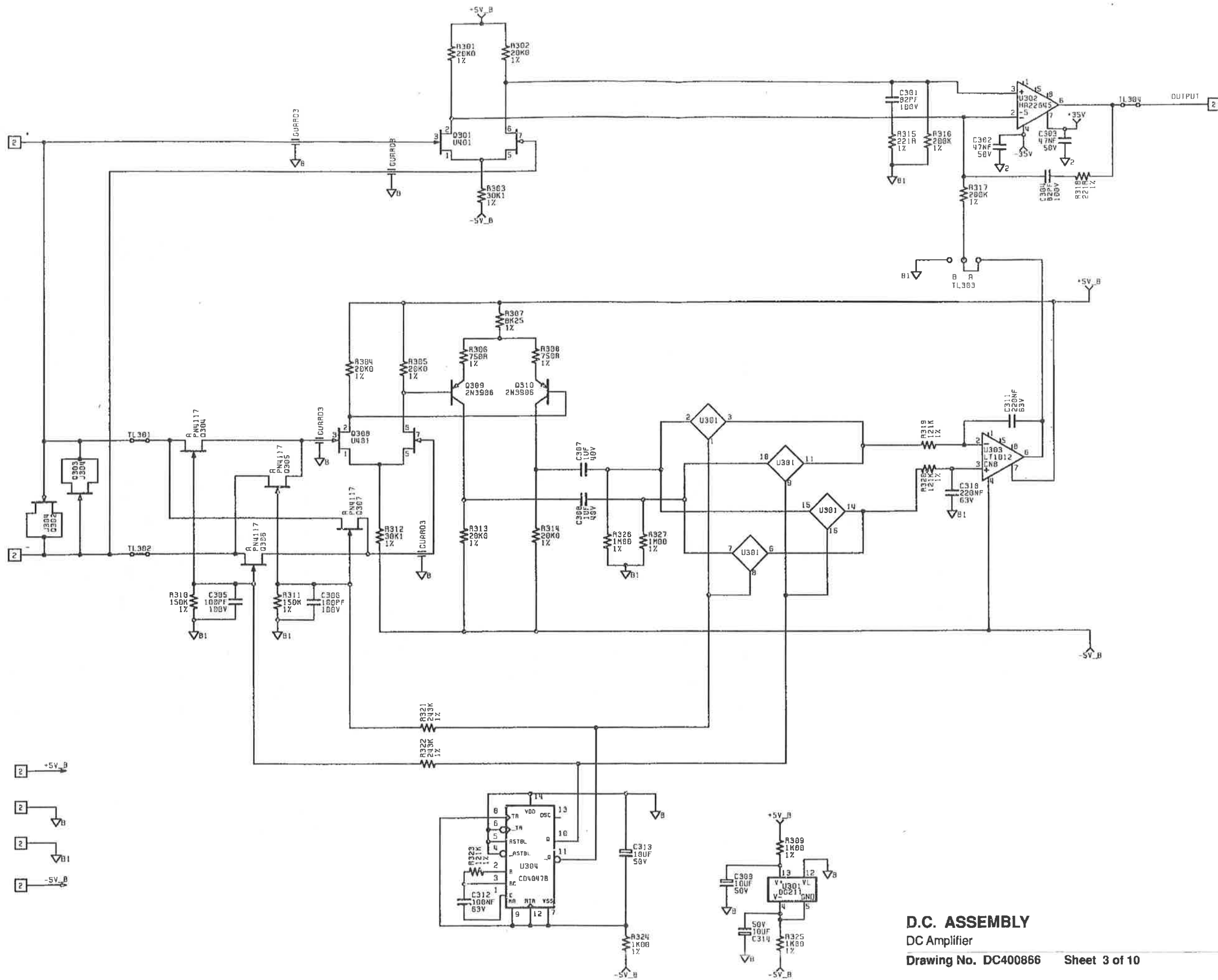
TIGHTEN TO A TORQUE OF 0.4Nm



© Datron Instruments 1989

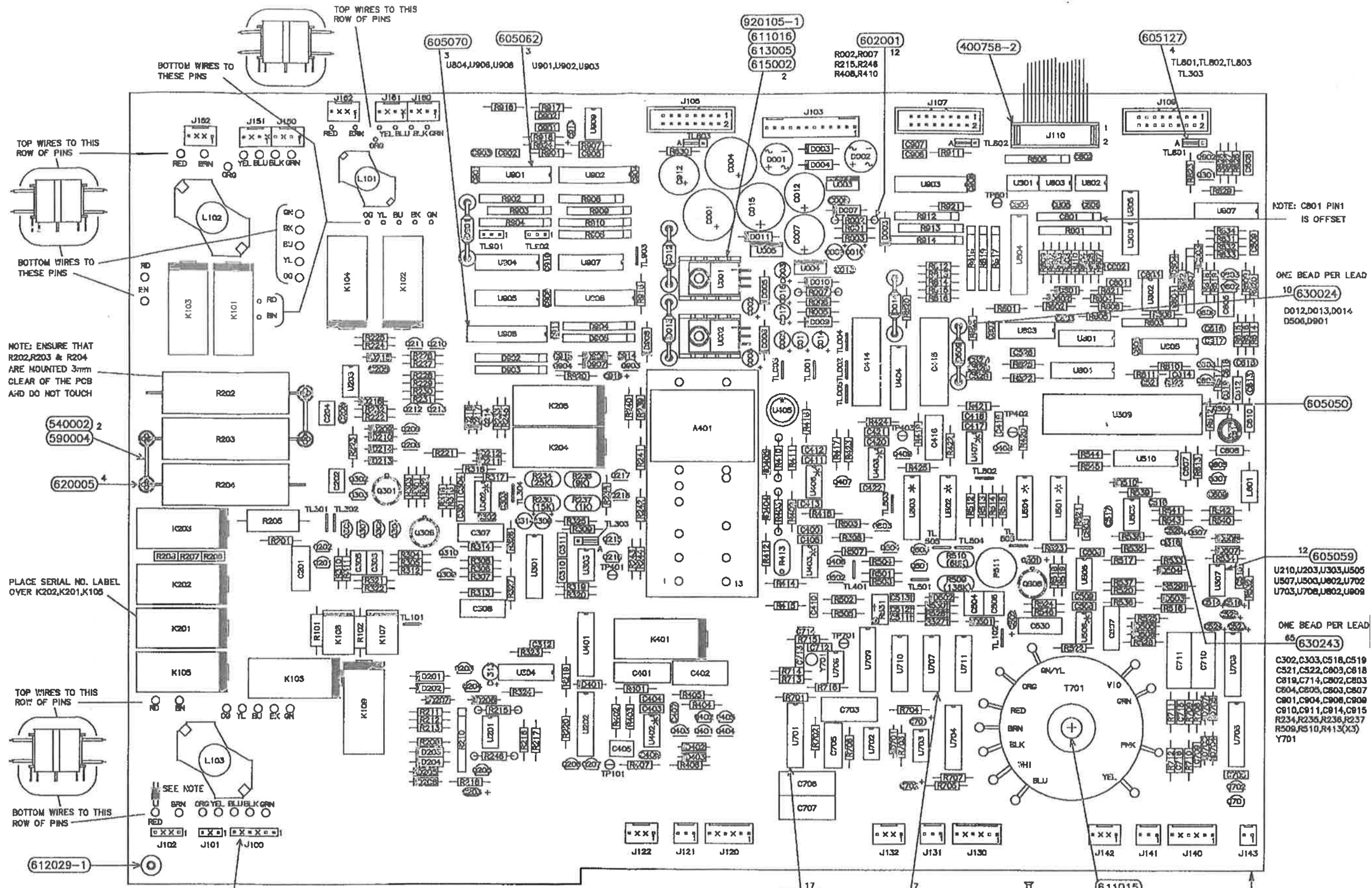
D.C. ASSEMBLY

Drawing No. DA400866 Sheet 1 of 3
N.B. expanded versions are on Sheets 2 and 3 (page 11.2-1)



D.C. ASSEMBLY
DC Amplifier

Drawing No. DC400866 Sheet 3 of 10



TOP WIRES TO THIS ROW OF PINS

BOTTOM WIRES TO THESE PINS

NOTE: ENSURE THAT R202, R203 & R204 ARE MOUNTED 3mm CLEAR OF THE PCB AND DO NOT TOUCH

PLACE SERIAL NO. LABEL OVER K202, K201, K105

TOP WIRES TO THIS ROW OF PINS

BOTTOM WIRES TO THIS ROW OF PINS

NOTE: MOUNT FERRITE BEAD ON RED LEAD AS SHOWN

REMOVE PINS SHOWN THIS 'X'

COMPONENTS MARKED THIS † ARE NOT TO BE FITTED
R327, R328, R329, R330, R331
C511, C512, C513

COMPONENTS MARKED THIS * DENOTES COMPONENTS NOT FITTED IN SOCKETS
U302, U402, U403, U406, U407, U408
U501, U502, U503, U504, U506

U202, U301, U401, U404
U510, U804, U701, U704
U705, U706, U709, U807
U904, U905, U907
U801+U803, U805+U806

U304, U801, U805
U707, U710, U711
U808

TIGHTEN TO A TORQUE OF 0.4Nm

NOTE: C801 PIN1 IS OFFSET

ONE BEAD PER LEAD
10 (630024)
D012, D013, D014
D506, D901

(605050)

12 (605059)
U210, U203, U303, U505
U507, U503, U802, U702
U703, U708, U802, U808

ONE BEAD PER LEAD
65 (630243)

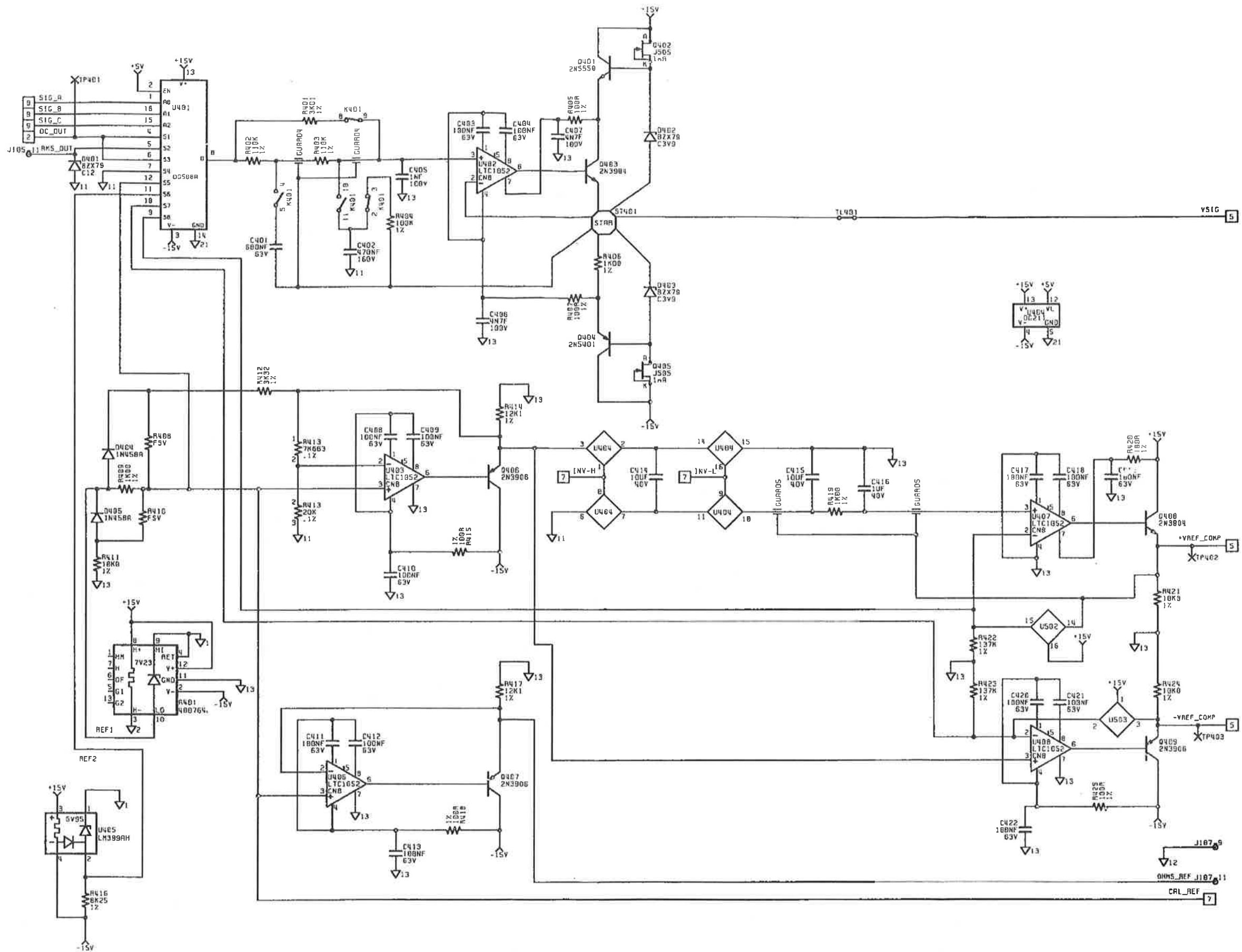
C302, C303, C518, C519
C521, C522, C803, C818
C819, C714, C802, C803
C804, C805, C803, C807
C801, C804, C806, C809
C810, C811, C814, C815
R234, R235, R236, R237
R509, R510, R413(X3)
Y701



© Datron Instruments 1989

D.C. ASSEMBLY

Drawing No. DA400866 Sheet 1 of 3
N.B. expanded versions are on Sheets 2 and 3 (page 11.2-1)



D.C. ASSEMBLY

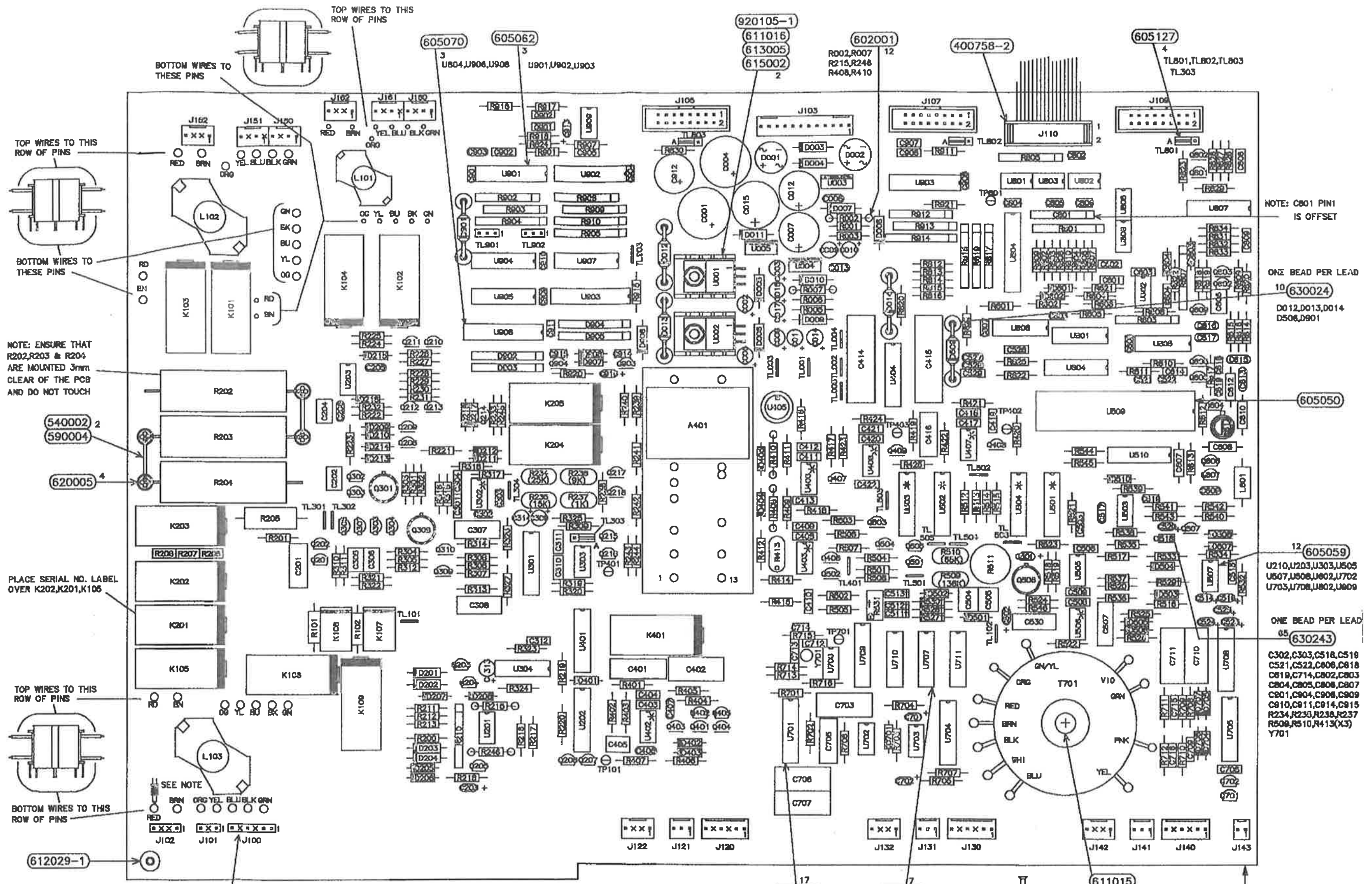
References and Signal Switching

Drawing No. DC400866 Sheet 4 of 10



© Datron Instruments 1989

1271



NOTE: ENSURE THAT R202, R203 & R204 ARE MOUNTED 3mm CLEAR OF THE PCB AND DO NOT TOUCH

PLACE SERIAL NO. LABEL OVER K202, K201, K105

SEE NOTE
 BRN DRG YEL BLU BLK GRN
 RED
 J102 J101 J100

NOTE: MOUNT FERRITE BEAD ON RED LEAD AS SHOWN

REMOVE PINS SHOWN THIS 'X'

COMPONENTS MARKED THIS † ARE NOT TO BE FITTED
 R527, R528, R529, R530, R531
 CS11, CS12, CS13

COMPONENTS MARKED THIS * DENOTES COMPONENTS NOT FITTED IN SOCKETS
 U302, U402, U403, U408, U407, U408
 U501, U502, U503, U504, U506

U202, U301, U401, U404
 U510, U804, U701, U704
 U705, U708, U709, U807
 U904, U905, U907
 U801+U803, U805+U808

U304, U801, U805
 U707, U710, U711
 U808

611015
 612031-1
 613049
 900009

TIGHTEN TO A TORQUE OF 0.4Nm

NOTE: C801 PIN1 IS OFFSET

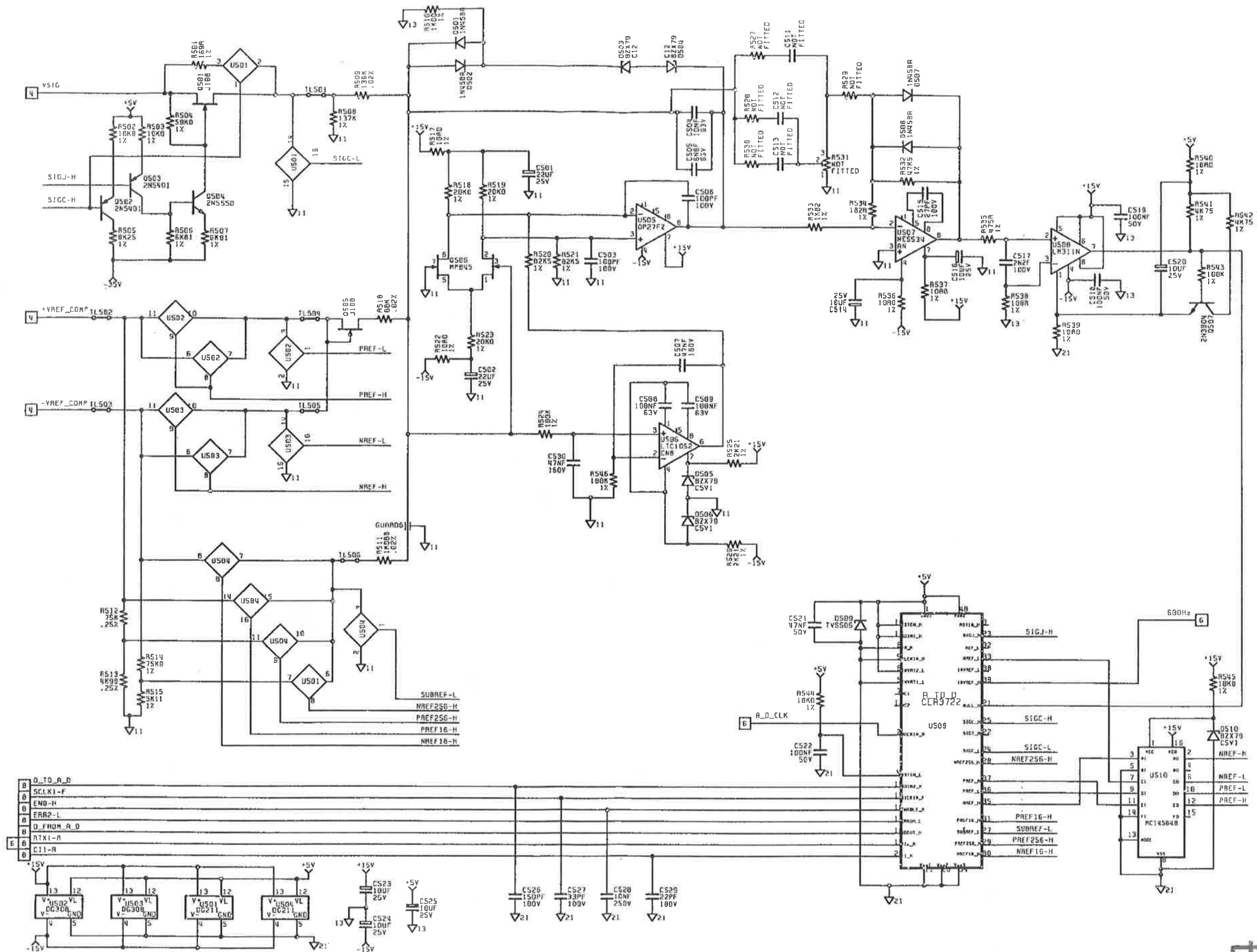
ONE BEAD PER LEAD
 10 630024
 D012, D013, D014
 D506, D901

605050

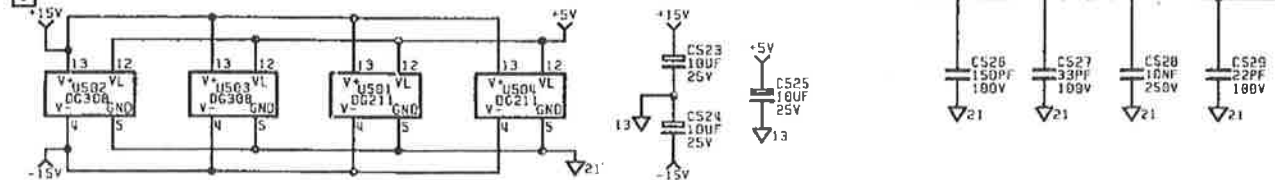
12 605059
 U210, U203, U303, U505
 U507, U808, U802, U702
 U703, U708, U802, U808

ONE BEAD PER LEAD
 05 630243
 C302, C303, C518, C519
 C521, C522, C806, C818
 C819, C714, C802, C803
 C804, C805, C808, C807
 C801, C804, C908, C809
 C810, C911, C914, C915
 R234, R233, R238, R237
 R508, R510, R413(X3)
 Y701

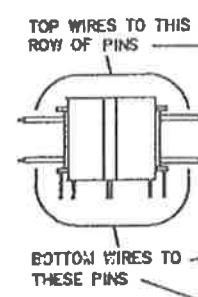
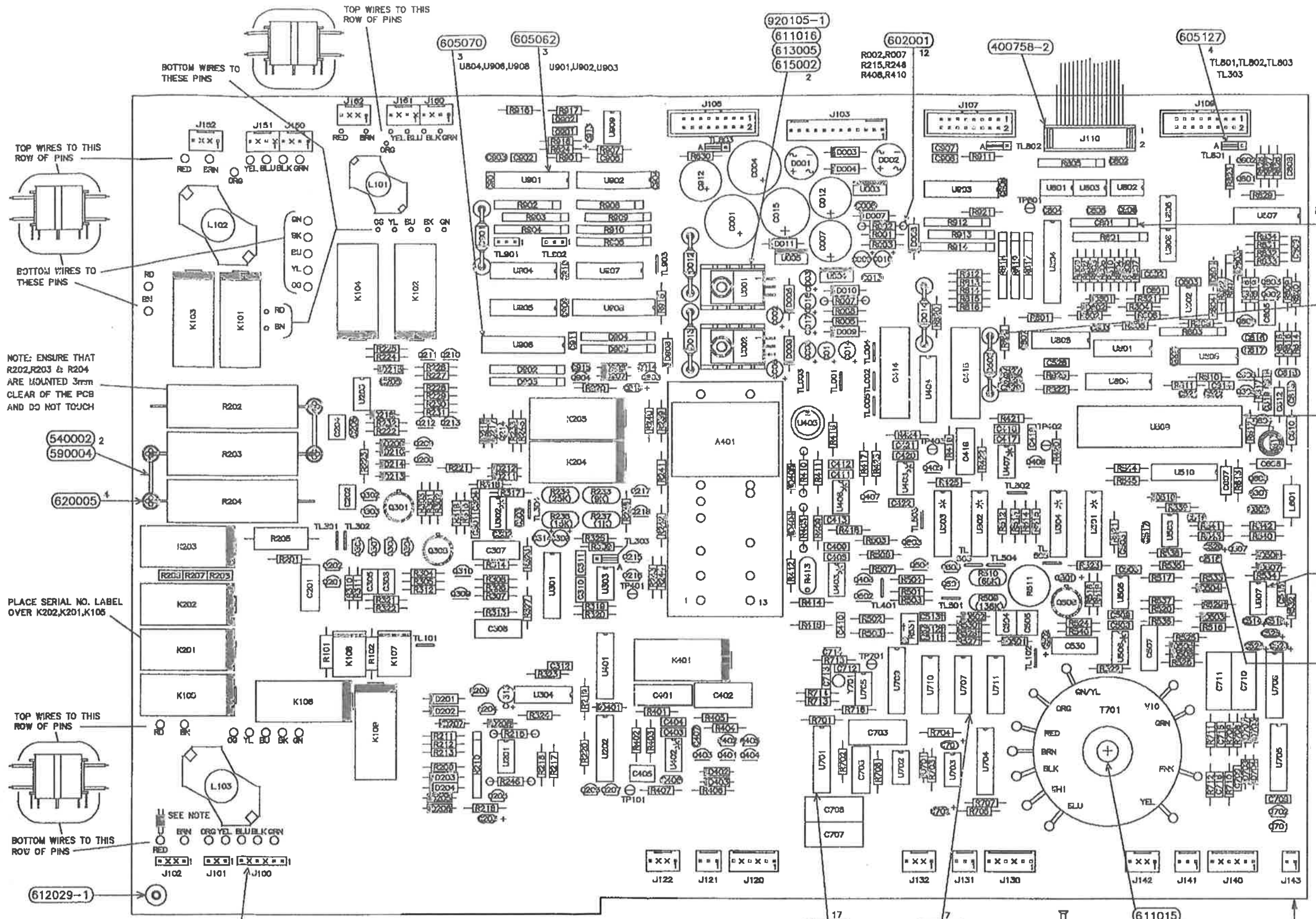
410429-1



Q_TO_A_D
SCLK1-F
ENB-H
ERR2-L
D_FROM_A_D
RTXL-R
C11-R

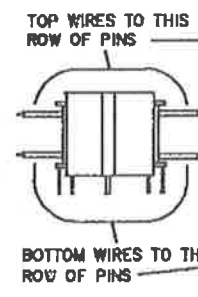


D.C. ASSEMBLY
 Analog to Digital Converter
 Drawing No. DC400866 Sheet 5 of 10



NOTE: ENSURE THAT R202, R203 & R204 ARE MOUNTED 3mm CLEAR OF THE PCB AND DO NOT TOUCH

PLACE SERIAL NO. LABEL OVER K202, K201, K105



NOTE: MOUNT FERRITE BEAD ON RED LEAD AS SHOWN

REMOVE PINS SHOWN THUS 'X'

COMPONENTS MARKED THUS † ARE NOT TO BE FITTED
 R527, R528, R529, R530, R531
 C511, C512, C513

COMPONENTS MARKED THUS * DENOTES COMPONENTS NOT FITTED IN SOCKETS
 U302, U402, U403, U408, U407, U408
 U904, U905, U907
 U501, U502, U503, U504, U508

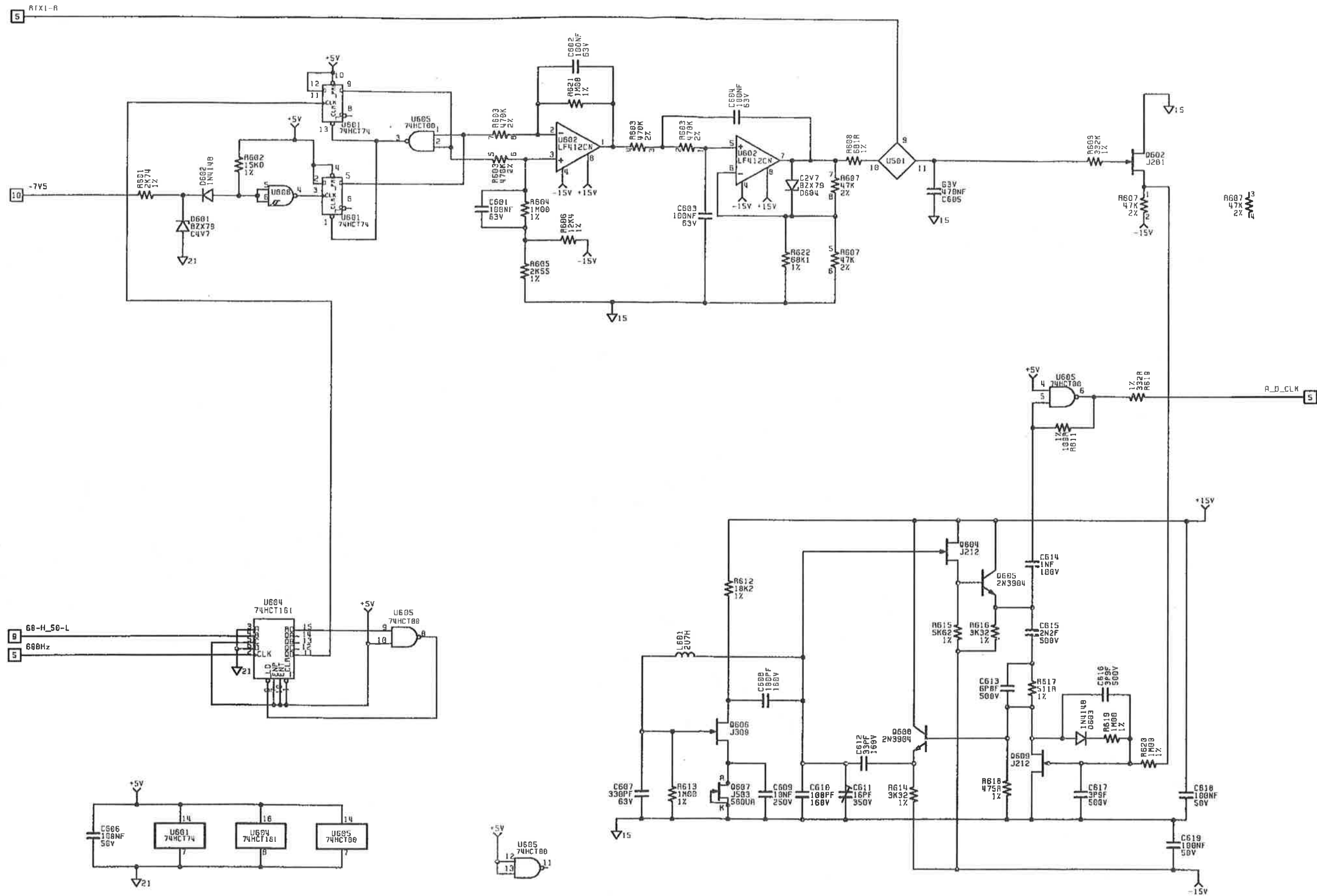
NOTE: C801 PIN1 IS OFFSET

ONE BEAD PER LEAD
 10 630024
 D012, D013, D014
 D506, D801

12 605059
 U210, U203, U303, U505
 U507, U503, U602, U702
 U703, U708, U802, U908

ONE BEAD PER LEAD
 65 630243
 C202, C303, C518, C519
 C521, C522, C808, C818
 C819, C714, C802, C803
 C804, C805, C806, C807
 C801, C804, C808, C809
 C810, C811, C814, C815
 R234, R235, R236, R237
 R508, R310, R413 (X3)
 Y701

TIGHTEN TO A TORQUE OF 0.4Nm



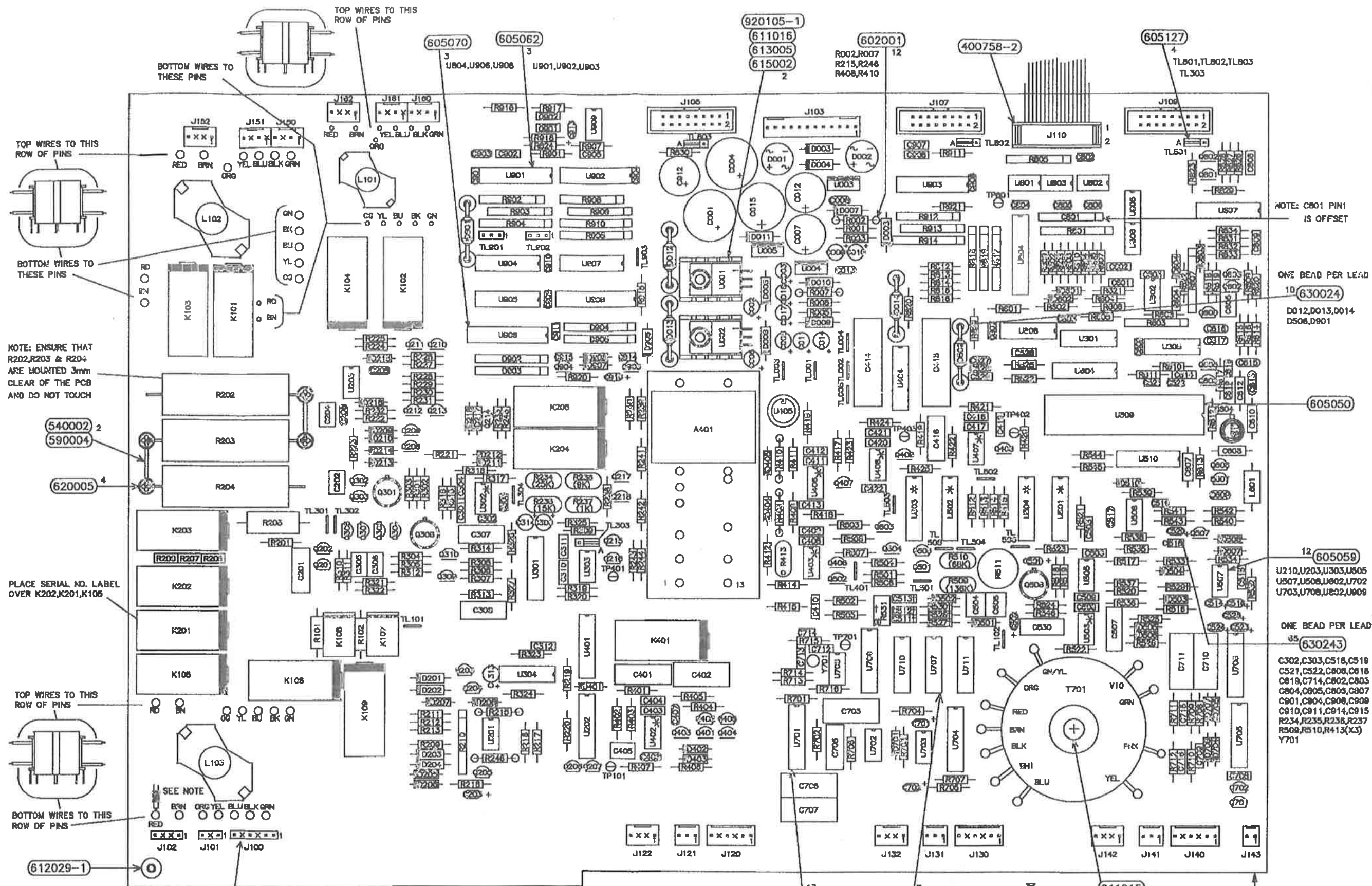
D.C. ASSEMBLY

Line Locking and A-D Control

Drawing No. DC400866 Sheet 6 of 10



© Datron Instruments 1989



NOTE: ENSURE THAT R202, R203 & R204 ARE MOUNTED 3mm CLEAR OF THE PCB AND DO NOT TOUCH

PLACE SERIAL NO. LABEL OVER K202, K201, K105

NOTE: MOUNT FERRITE BEAD ON RED LEAD AS SHOWN

REMOVE PINS SHOWN THIS 'X'

COMPONENTS MARKED THIS † ARE NOT TO BE FITTED
R527, R528, R529, R530, R531
C511, C512, C513

COMPONENTS MARKED THIS * DENOTES COMPONENTS NOT FITTED IN SOCKETS
U302, U402, U403, U406, U407, U408
U904, U905, U907
U501, U502, U503, U504, U506

NOTE: C801 PIN1 IS OFFSET

ONE BEAD PER LEAD
10 630024
D012, D013, D014
D508, D901

605050

12 605059
U210, U203, U303, U505
U507, U508, U802, U702
U703, U708, U802, U808

ONE BEAD PER LEAD
15 630243
C302, C303, C518, C519
C521, C522, C808, C816
C819, C714, C802, C803
C804, C805, C806, C807
C901, C904, C906, C908
C910, C911, C914, C915
R234, R235, R238, R237
R509, R510, R413(X3)
Y701

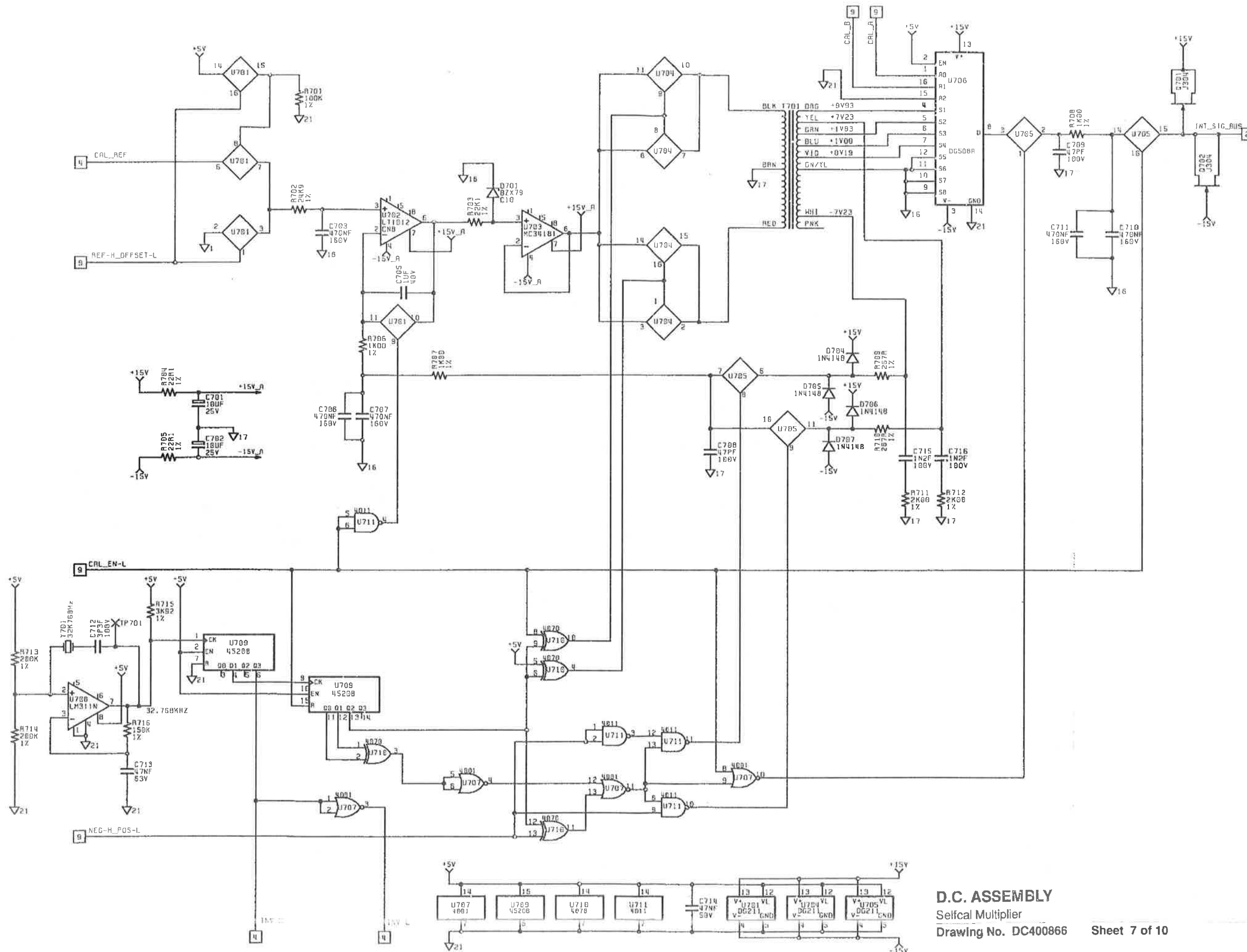
TIGHTEN TO A TORQUE OF 0.4Nm



© Datron Instruments 1989

D.C. ASSEMBLY

Drawing No. DA400866 Sheet 1 of 3
N.B. expanded versions are on Sheets 2 and 3 (page 11.2-1)

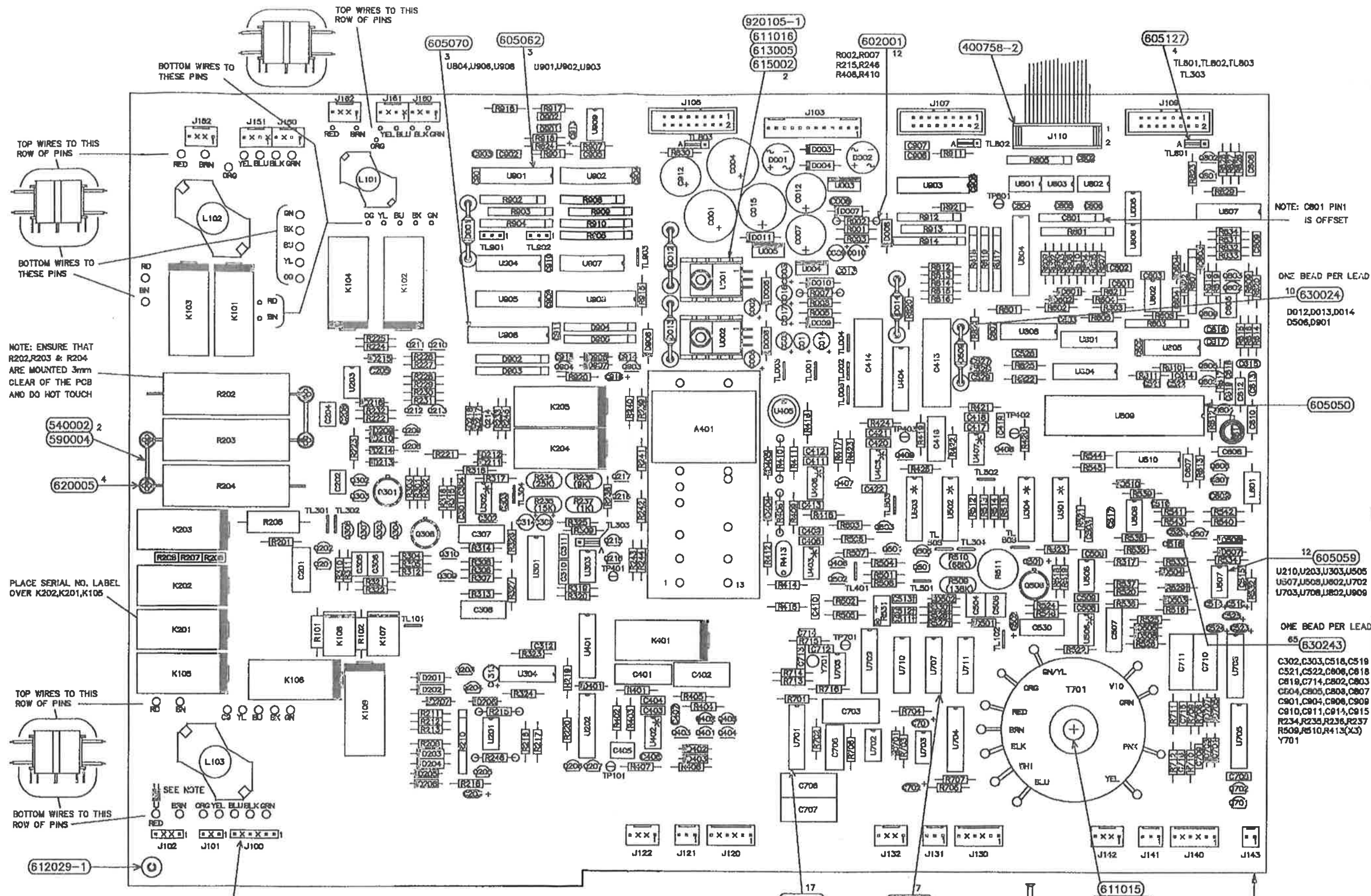


D.C. ASSEMBLY
Selfcal Multiplier
Drawing No. DC400866

Sheet 7 of 10

1271
datron
WAVETEK

© Datron Instruments 1989



NOTE: C801 PIN1 IS OFFSET

ONE BEAD PER LEAD
10 630024
D012, D013, D014
D506, D801

605050

12 605059
U210, U203, U303, U505
U507, U508, U802, U702
U703, U708, U802, U808

ONE BEAD PER LEAD
65 630243

C302, C303, C518, C519
C521, C522, C808, C818
C819, C714, C802, C803
C804, C805, C806, C807
C801, C804, C806, C809
C810, C811, C915, C915
R234, R235, R236, R237
R509, R510, R413(X3)
Y701

NOTE: ENSURE THAT
R202, R203 & R204
ARE MOUNTED 3mm
CLEAR OF THE PCB
AND DO NOT TOUCH

PLACE SERIAL NO. LABEL
OVER K202, K201, K105

NOTE: MOUNT FERRITE BEAD ON
RED LEAD AS SHOWN

REMOVE PINS SHOWN THIS *

COMPONENTS MARKED THIS †
ARE NOT TO BE FITTED
R527, R528, R529, R530, R531
C511, C512, C513

COMPONENTS MARKED THIS *
DENOTES COMPONENTS NOT
FITTED IN SOCKETS
U302, U402, U403, U408, U407, U408
U904, U906, U907
U501, U502, U903, U504, U506

TIGHTEN TO A TORQUE
OF 0.4Nm

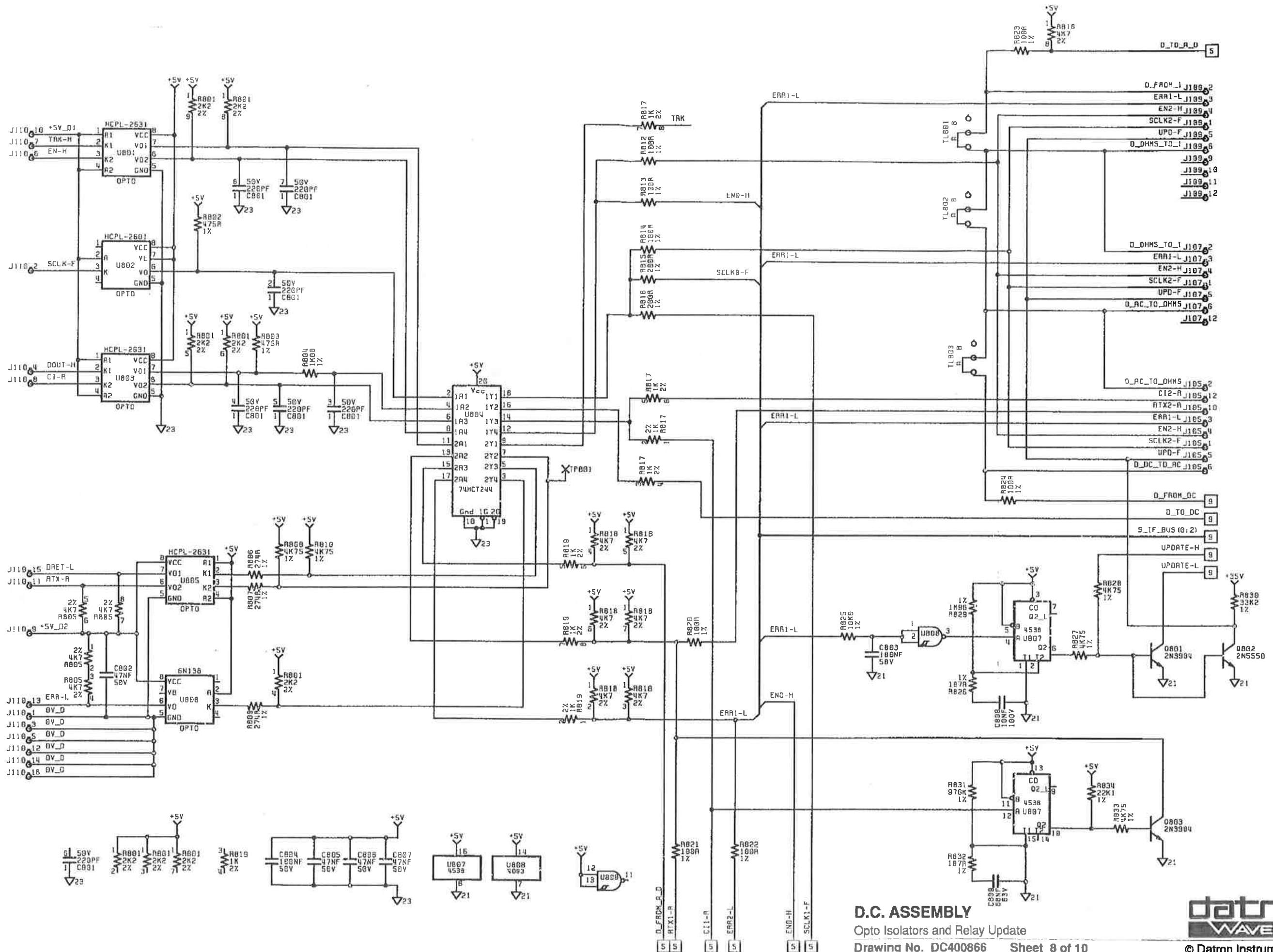


© Datron Instruments 1989

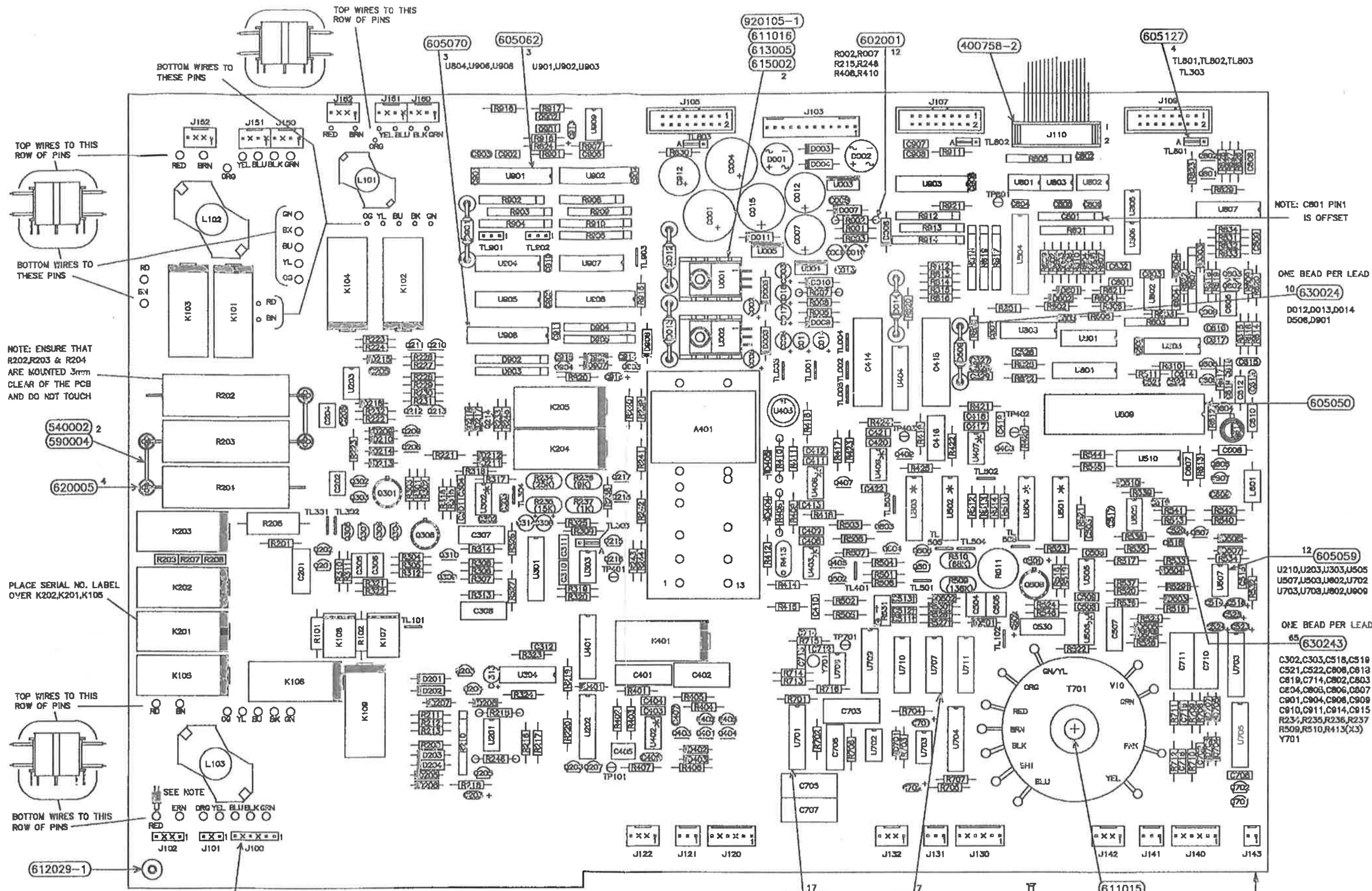
D.C. ASSEMBLY

Drawing No. DA400866 Sheet 1 of 3

N.B. expanded versions are on Sheets 2 and 3 (page 11.2-1)



D.C. ASSEMBLY
 Opto Isolators and Relay Update
 Drawing No. DC400866 Sheet 8 of 10



NOTE: C801 PIN1 IS OFFSET

ONE BEAD PER LEAD
10 (630024)
D012, D013, D014
D508, D901

NOTE: ENSURE THAT R202, R203 & R204 ARE MOUNTED 3mm CLEAR OF THE PCB AND DO NOT TOUCH

PLACE SERIAL NO. LABEL OVER K202, K201, K108

ONE BEAD PER LEAD
65 (630243)

C302, C303, C518, C519
C521, C522, C808, C813
C819, C714, C802, C803
C834, C805, C806, C807
C801, C804, C808, C809
C810, C811, C814, C815
R237, R238, R236, R237
R509, R510, R413(X3)
Y701

NOTE: MOUNT FERRITE BEAD ON RED LEAD AS SHOWN

REMOVE PINS SHOWN THIS *

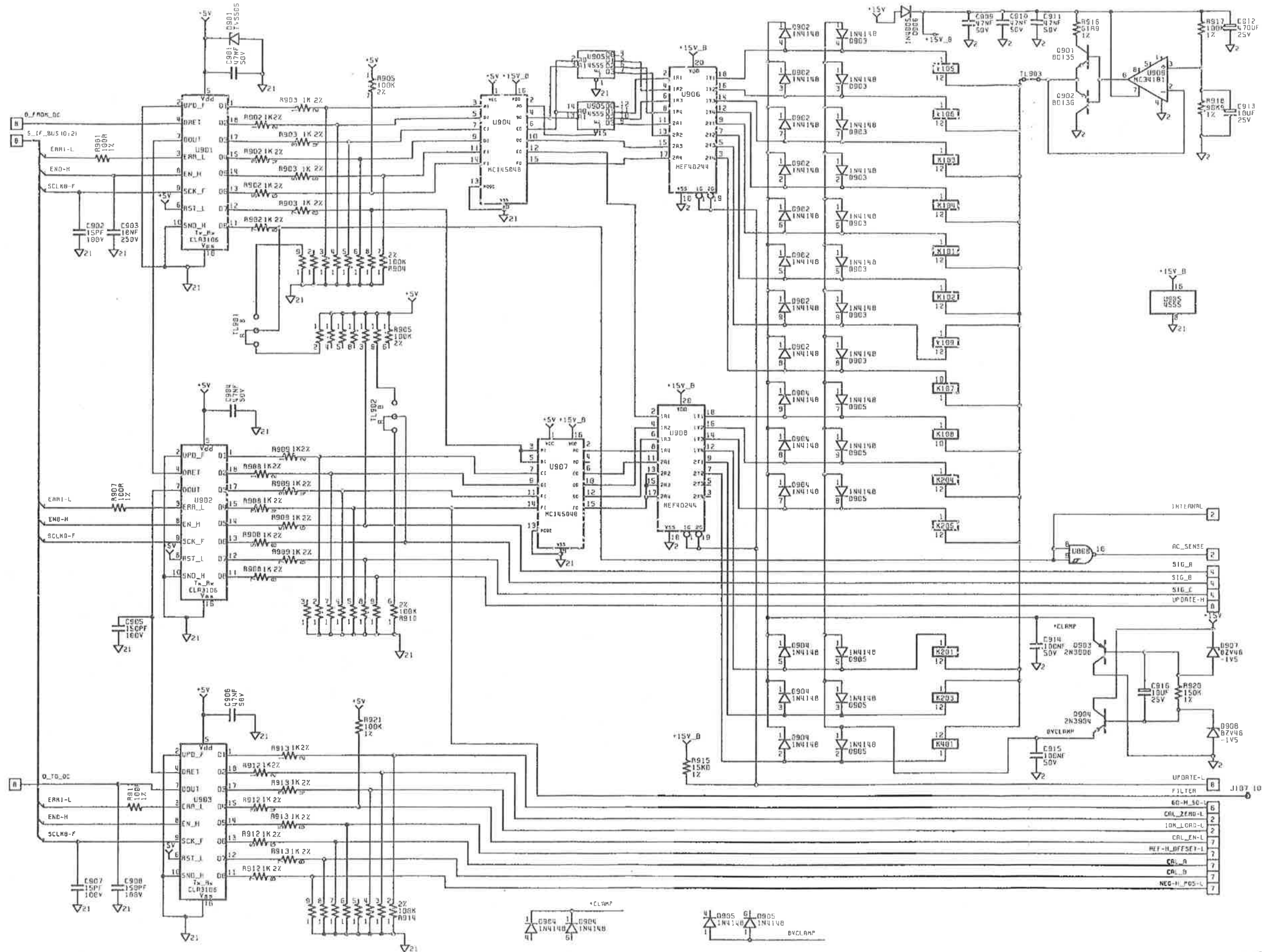
COMPONENTS MARKED THIS † ARE NOT TO BE FITTED
R327, R328, R329, R330, R331
C511, C512, C513

COMPONENTS MARKED THIS * DENOTES COMPONENTS NOT FITTED IN SOCKETS
U302, U402, U403, U406, U407, U408
U904, U905, U907
U501, U502, U503, U504, U508

U202, U301, U401, U404
U510, U604, U701, U704
U705, U708, U709, U807
U904, U905, U907
U801 + U803, U805 + U808

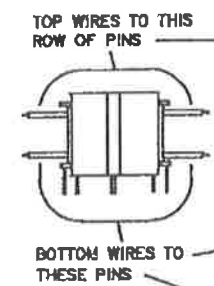
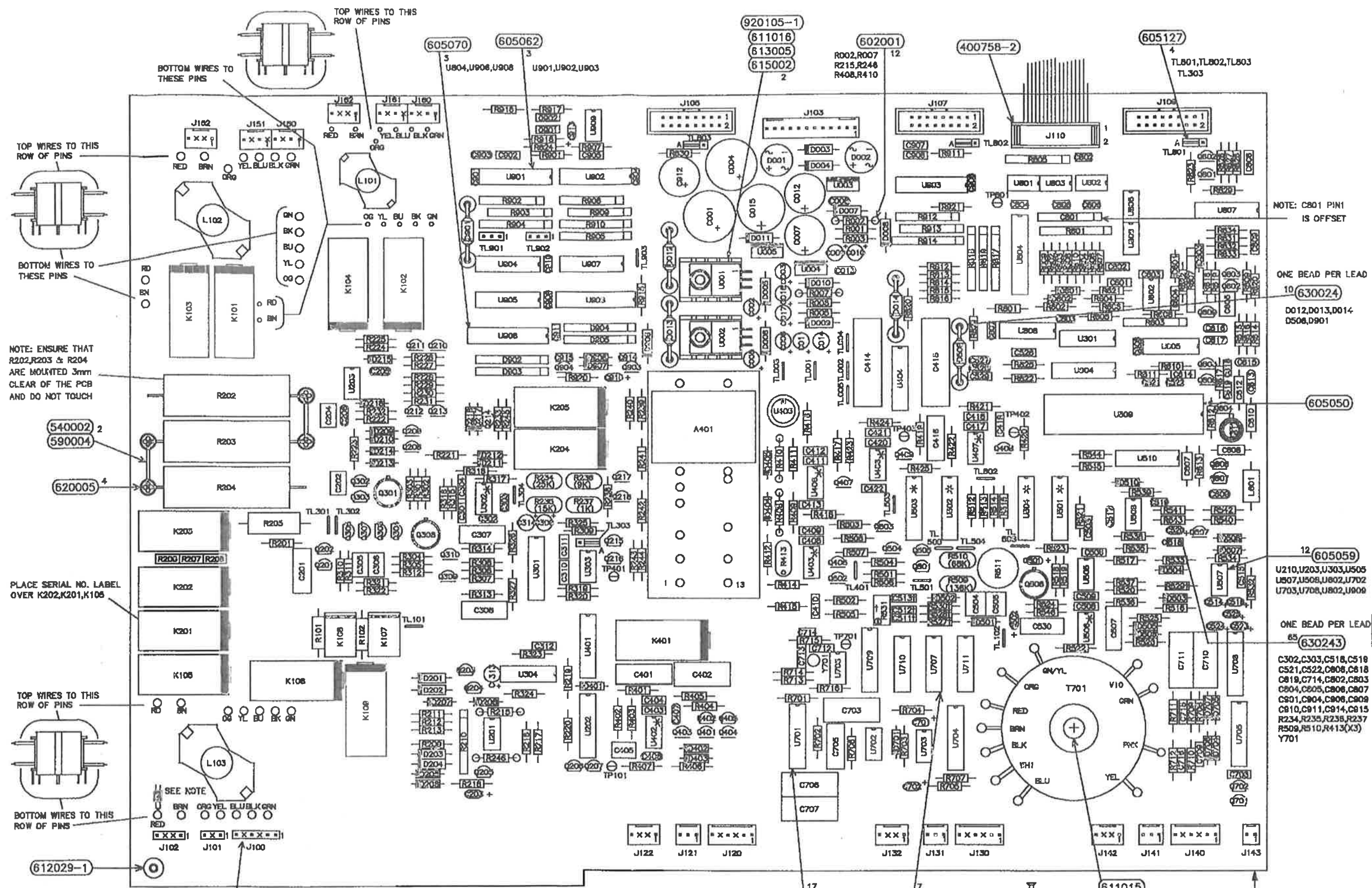
U304, U801, U805
U707, U710, U711
U808

TIGHTEN TO A TORQUE OF 0.4Nm



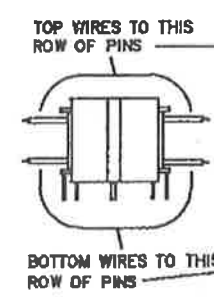
D.C. ASSEMBLY
 Control and Relay Drive
 Drawing No. DC400866

Sheet 9 of 10



NOTE: ENSURE THAT R202, R203 & R204 ARE MOUNTED 3mm CLEAR OF THE PCB AND DO NOT TOUCH

PLACE SERIAL NO. LABEL OVER K202, K201, K106



NOTE: MOUNT FERRITE BEAD ON RED LEAD AS SHOWN

REMOVE PINS SHOWN THUS 'X'

COMPONENTS MARKED THUS + ARE NOT TO BE FITTED
R527, R528, R529, R530, R531
C511, C512, C513

COMPONENTS MARKED THUS * DENOTES COMPONENTS NOT FITTED IN SOCKETS
U302, U402, U403, U406, U407, U408
U904, U905, U907
U501, U502, U503, U504, U506

U202, U301, U401, U404
U510, U604, U701, U704
U705, U706, U709, U807
U904, U905, U907
U801+U803, U805+U806

U304, U801, U805
U707, U710, U711
U808

TIGHTEN TO A TORQUE OF 0.4Nm

NOTE: C801 PIN1 IS OFFSET

ONE BEAD PER LEAD
10 630024
D012, D013, D014
D508, D901

ONE BEAD PER LEAD
65 630243

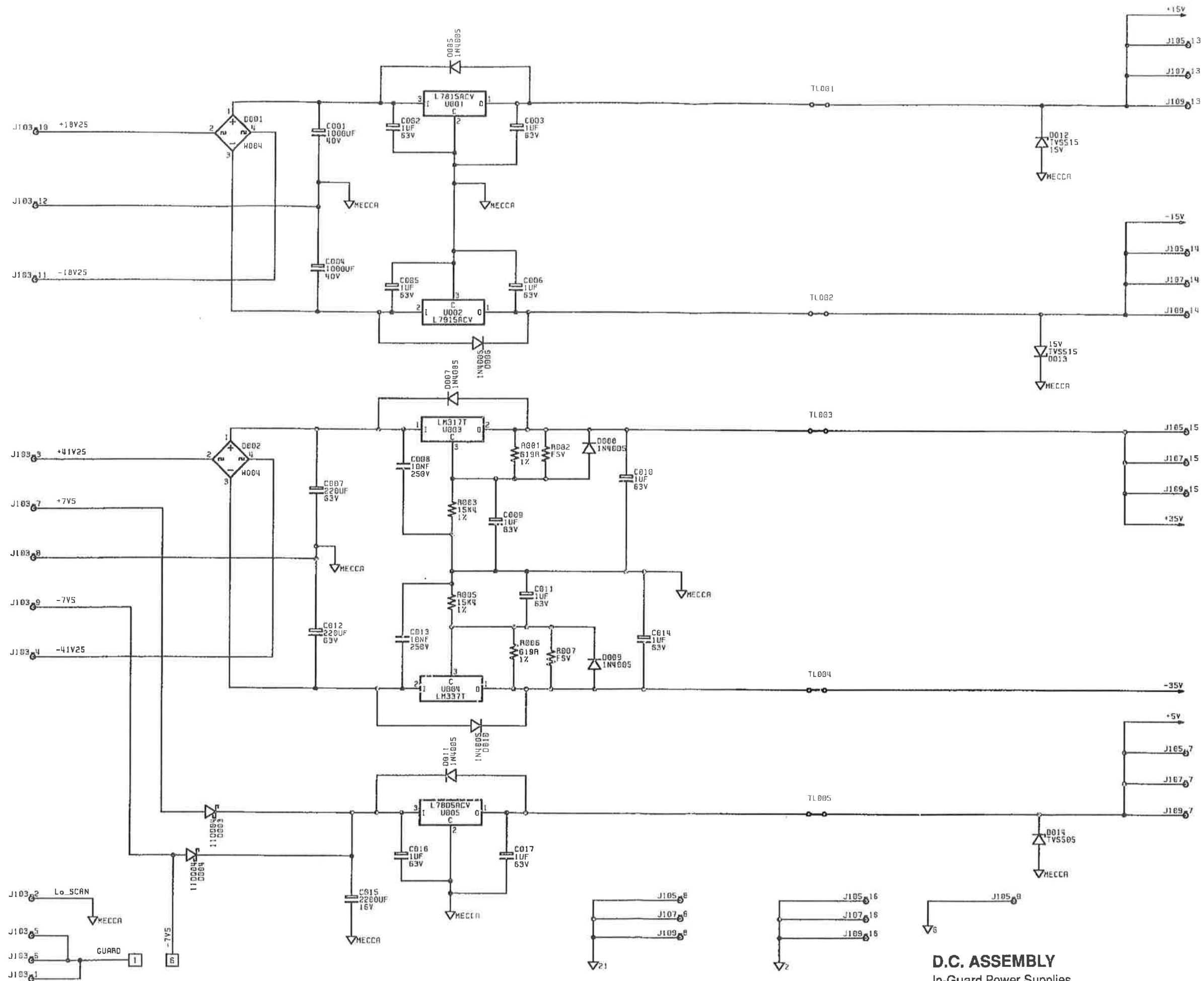
C302, C303, C518, C519
C521, C522, C806, C818
C819, C714, C802, C803
C804, C805, C806, C807
C801, C804, C806, C809
C810, C811, C814, C815
R234, R235, R236, R237
R509, R510, R413(X3)
Y701



© Datron Instruments 1989

D.C. ASSEMBLY

Drawing No. DA400866 Sheet 1 of 3
N.B. expanded versions are on Sheets 2 and 3 (page 11.2-1)



D.C. ASSEMBLY
 In-Guard Power Supplies
 Drawing No. DC400866

Sheet 10 of 10



© Datron Instruments 1989

1271

11.2-11



DRAWING No.		CHK'D	
LD400866			
DOCUMENT LIST		DATE	
DISTRIBUTION			
		ECO	
		REVISION	
		ISSUE	
		A.3	
DESCRIPTION	DRAWING NUMBER	SHEET NUMBER	ISSUE - REVISION
PARTS LIST.	LP400866		
ASSEMBLY DRAWING	DA400866	1	
"	"	2	
"	"	3	
CIRCUIT DIAGRAM	DC400866	1	
"	"	2	
"	"	3	
"	"	4	
"	"	5	
"	"	6	
"	"	7	
"	"	8	
"	"	9	
"	"	10	
<p>NOTES</p> <input type="checkbox"/> DENOTES NO CHANGE TO DOCS AT ISSUE LEVEL CHANGE			

datron
INSTRUMENTS
NORWICH ENGLAND

DRN	CHK'D	APP'D
DATE	DATE	DATE

TITLE 1271
 DC. PCB ASSY

DRAWING No. LD400866
 SHEET 1 OF 2

DRAWING No.		CHK'D	
LD400866			
DOCUMENT LIST		DATE	
DISTRIBUTION			
		ECO	
		REVISION	
		ISSUE	
		1.0	
DESCRIPTION	DRAWING NUMBER	SHEET NUMBER	ISSUE - REVISION
PARTS LIST.			
ASSEMBLY DRAWING			
CIRCUIT DIAGRAM			
TEST PROCEDURE			
TEST SPECIFICATION			
PCB	410429		
<p>NOTES</p> <input type="checkbox"/> DENOTES NO CHANGE TO DOCS AT ISSUE LEVEL CHANGE			

datron
INSTRUMENTS
NORWICH ENGLAND

DRN	CHK'D	APP'D
DATE	DATE	DATE

TITLE 1271
 DC. PCB ASSY

DRAWING No. LD400866
 SHEET 2 OF 2

DESIG	PART NO	DESCRIPTION	PRINC MANUF	MANUF PART NUMBER	CLASS	UM	QUANTITY	CHANGES
R001	016190	RES MF 619R 1% .12W 50PPH	HOLSWORTHY	H8C	A	EA	2	
R002	00000F	RES FSV				EA	6	
R003	011542	RES MF 15K4 1% .12W 50PPH	HOLSWORTHY	H8C	A	EA	2	
R005	011542	RES MF 15K4 1% .12W 50PPH	HOLSWORTHY	H8C	A	EA	-	
R006	016190	RES MF 619R 1% .12W 50PPH	HOLSWORTHY	H8C	A	EA	-	
R007	00000F	RES FSV				EA	-	
R101	008004	RES HG 1M 5% 2.5KV	PHILIPS	VR37-1M	A	EA	2	
R102	008004	RES HG 1M 5% 2.5KV	PHILIPS	VR37-1M	A	EA	-	
R201	011001	RES MF 1K00 1% .12W 50PPH	HOLSWORTHY	H8C	A	EA	13	
R202	090035-1	RES SET 3M3 X3 +100K	VISHAY MANN	SEE DRG		S4	1	
R203	090035-1	RES SET 3M3 X3 +100K	VISHAY MANN	SEE DRG		S4	-	
R204	090035-1	RES SET 3M3 X3 +100K	VISHAY MANN	SEE DRG		S4	-	
R205	090035-1	RES SET 3M3 X3 +100K	VISHAY MANN	SEE DRG		S4	-	
R206	080103-1	RES FL 5K00 1%	VISHAY MANN	SEE DRG	A	EA	3	
R207	080103-1	RES FL 5K00 1%	VISHAY MANN	SEE DRG	A	EA	-	
R208	080103-1	RES FL 5K00 1%	VISHAY MANN	SEE DRG	A	EA	-	
R209	041004	RES MF 1M00 1% .12W 50PPH	HOLSWORTHY	H8C	A	EA	13	
R210	090095	RES PACK 47K X 4 2%	BERKMAN	LOB-3-R47K	A	EA	2	
R211	041004	RES MF 1M00 1% .12W 50PPH	HOLSWORTHY	H8C	A	EA	-	
R212	041004	RES MF 1M00 1% .12W 50PPH	HOLSWORTHY	H8C	A	EA	-	
R213	013323	RES MF 332K 1% .12W 50PPH	HOLSWORTHY	H8C	A	EA	4	
R215	00000F	RES FSV				EA	-	
R216	011001	RES MF 1K00 1% .12W 50PPH	HOLSWORTHY	H8C	A	EA	-	
R217	042214	RES MF 2M21 1% .12W 100PPH	HOLSWORTHY	H8C	A	EA	2	
R218	042214	RES MF 2M21 1% .12W 100PPH	HOLSWORTHY	H8C	A	EA	-	
R219	041004	RES MF 1M00 1% .12W 50PPH	HOLSWORTHY	H8C	A	EA	-	
R220	041005	RES MF 10K0 1% .12W 100PPH	STEATITE	MX2	A	EA	1	
R221	014750	RES MF 47R 1% .12W 50PPH	HOLSWORTHY	H8C	A	EA	3	
R222	011001	RES MF 1K00 1% .12W 50PPH	HOLSWORTHY	H8C	A	EA	3	
R223	011002	RES MF 10K0 1% .12W 50PPH	HOLSWORTHY	H8C	A	EA	10	
R224	014750	RES MF 47R 1% .12W 50PPH	HOLSWORTHY	H8C	A	EA	2	
R225	011002	RES MF 10K0 1% .12W 50PPH	HOLSWORTHY	H8C	A	EA	-	
R226	011501	RES MF 1K50 1% .12W 50PPH	HOLSWORTHY	H8C	A	EA	-	
R227	012212	RES MF 22K1 1% .12W 50PPH	HOLSWORTHY	H8C	A	EA	4	
R228	013323	RES MF 332K 1% .12W 50PPH	HOLSWORTHY	H8C	A	EA	-	
R229	013323	RES MF 332K 1% .12W 50PPH	HOLSWORTHY	H8C	A	EA	-	
R230	012212	RES MF 22K1 1% .12W 50PPH	HOLSWORTHY	H8C	A	EA	-	
R231	011501	RES MF 1K50 1% .12W 50PPH	HOLSWORTHY	H8C	A	EA	-	
R232	014750	RES MF 47R 1% .12W 50PPH	HOLSWORTHY	H8C	A	EA	-	
R233	041004	RES MF 1M00 1% .12W 50PPH	HOLSWORTHY	H8C	A	EA	-	
R234	090191-1	RES SET 25K/15K/9K/1K	VISHAY MANN	SEE DRG		S4	1	
R235	090191-1	RES SET 25K/15K/9K/1K	VISHAY MANN	SEE DRG		S4	-	
R236	090191-1	RES SET 25K/15K/9K/1K	VISHAY MANN	SEE DRG		S4	-	
R237	090191-1	RES SET 25K/15K/9K/1K	VISHAY MANN	SEE DRG		S4	-	
R238	011212	RES MF 12K1 1% .12W 50PPH	HOLSWORTHY	H8C	A	EA	3	

DESIG	PART NO	DESCRIPTION	PRINC MANUF	MANUF PART NUMBER	CLASS	UM	QUANTITY	CHANGES
R239	017502	RES MF 75K0 1% .12W 50PPH	HOLSWORTHY	H8C	A	EA	3	
R240	011003	RES MF 100K 1% .12W 50PPH	HOLSWORTHY	H8C	A	EA	9	
R241	017152	RES MF 71K5 1% .12W 50PPH	HOLSWORTHY	H8C	A	EA	2	
R242	017152	RES MF 71K5 1% .12W 50PPH	HOLSWORTHY	H8C	A	EA	-	
R243	011003	RES MF 100K 1% .12W 50PPH	HOLSWORTHY	H8C	A	EA	-	
R244	017502	RES MF 75K0 1% .12W 50PPH	HOLSWORTHY	H8C	A	EA	-	
R245	041004	RES MF 1M00 1% .12W 50PPH	HOLSWORTHY	H8C	A	EA	-	
R246	00000F	RES FSV				EA	-	
R301	012002	RES MF 20K0 1% .12W 50PPH	HOLSWORTHY	H8C	A	EA	9	
R302	012002	RES MF 20K0 1% .12W 50PPH	HOLSWORTHY	H8C	A	EA	-	
R303	013012	RES MF 30K1 1% .12W 50PPH	HOLSWORTHY	H8C	A	EA	2	
R304	012002	RES MF 20K0 1% .12W 50PPH	HOLSWORTHY	H8C	A	EA	-	
R305	012002	RES MF 20K0 1% .12W 50PPH	HOLSWORTHY	H8C	A	EA	-	
R306	017500	RES MF 750R 1% .12W 50PPH	HOLSWORTHY	H8C	A	EA	2	
R307	018251	RES MF 8K25 1% .12W 50PPH	HOLSWORTHY	H8C	A	EA	3	
R308	017500	RES MF 750R 1% .12W 50PPH	HOLSWORTHY	H8C	A	EA	-	
R309	011001	RES MF 1K00 1% .12W 50PPH	HOLSWORTHY	H8C	A	EA	-	
R310	011503	RES MF 150K 1% .12W 50PPH	HOLSWORTHY	H8C	A	EA	4	
R311	011503	RES MF 150K 1% .12W 50PPH	HOLSWORTHY	H8C	A	EA	-	
R312	013012	RES MF 30K1 1% .12W 50PPH	HOLSWORTHY	H8C	A	EA	-	
R313	012002	RES MF 20K0 1% .12W 50PPH	HOLSWORTHY	H8C	A	EA	-	
R314	012002	RES MF 20K0 1% .12W 50PPH	HOLSWORTHY	H8C	A	EA	-	
R315	012210	RES MF 221R 1% .12W 50PPH	HOLSWORTHY	H8C	A	EA	2	
R316	012003	RES MF 200K 1% .12W 50PPH	HOLSWORTHY	H8C	A	EA	4	
R317	012003	RES MF 200K 1% .12W 50PPH	HOLSWORTHY	H8C	A	EA	-	
R318	012210	RES MF 221R 1% .12W 50PPH	HOLSWORTHY	H8C	A	EA	-	
R319	011213	RES MF 121K 1% .12W 50PPH	HOLSWORTHY	H8C	A	EA	3	
R320	011213	RES MF 121K 1% .12W 50PPH	HOLSWORTHY	H8C	A	EA	-	
R321	012433	RES MF 243K 1% .12W 50PPH	HOLSWORTHY	H8C	A	EA	2	
R322	012433	RES MF 243K 1% .12W 50PPH	HOLSWORTHY	H8C	A	EA	-	
R323	011213	RES MF 121K 1% .12W 50PPH	HOLSWORTHY	H8C	A	EA	-	
R324	011001	RES MF 1K00 1% .12W 50PPH	HOLSWORTHY	H8C	A	EA	-	
R325	011001	RES MF 1K00 1% .12W 50PPH	HOLSWORTHY	H8C	A	EA	-	
R326	041004	RES MF 1M00 1% .12W 50PPH	HOLSWORTHY	H8C	A	EA	-	
R327	041004	RES MF 1M00 1% .12W 50PPH	HOLSWORTHY	H8C	A	EA	-	
R401	013011	RES MF 30K1 1% .12W 50PPH	HOLSWORTHY	H8C	A	EA	1	
R402	011103	RES MF 110K 1% .12W 50PPH	HOLSWORTHY	H8C	A	EA	2	
R403	011103	RES MF 110K 1% .12W 50PPH	HOLSWORTHY	H8C	A	EA	-	
R404	011003	RES MF 100K 1% .12W 50PPH	HOLSWORTHY	H8C	A	EA	-	
R405	011000	RES MF 100R 1% .12W 50PPH	HOLSWORTHY	H8C	A	EA	19	
R406	011001	RES MF 1K00 1% .12W 50PPH	HOLSWORTHY	H8C	A	EA	-	
R407	011000	RES MF 100R 1% .12W 50PPH	HOLSWORTHY	H8C	A	EA	-	
R408	00000F	RES FSV				EA	-	
R409	011001	RES MF 1K00 1% .12W 50PPH	HOLSWORTHY	H8C	A	EA	-	
R410	00000F	RES FSV				EA	-	

DESIG	PART NO	DESCRIPTION	PRINC MANUF	MANUF PART NUMBER	CLASS	UM	QUANTITY	CHANGES
R411	011002	RES MF 10K0 1% .12W 50PPM	HOLSWORTHY	H8C	A	EA	-	
R412	013321	RES MF 3K32 1% .12W 50PPM	HOLSWORTHY	H8C	A	EA	3	
R413	090193-1	RES SET 20K/7X66J	VISHAY MANN	SEE DRG	H8C	S2	0	
R414	011212	RES MF 12K1 1% .12W 50PPM	HOLSWORTHY	H8C	A	EA	-	
R415	011000	RES MF 100R 1% .12W 50PPM	HOLSWORTHY	H8C	A	EA	-	
R416	010251	RES MF 8K25 1% .12W 50PPM	HOLSWORTHY	H8C	A	EA	-	
R417	011212	RES MF 12K1 1% .12W 50PPM	HOLSWORTHY	H8C	A	EA	-	
R418	011000	RES MF 100R 1% .12W 50PPM	HOLSWORTHY	H8C	A	EA	-	
R419	011001	RES MF 1K00 1% .12W 50PPM	HOLSWORTHY	H8C	A	EA	-	
R420	011000	RES MF 100R 1% .12W 50PPM	HOLSWORTHY	H8C	A	EA	-	
R421	011002	RES MF 10K0 1% .12W 50PPM	HOLSWORTHY	H8C	A	EA	-	
R422	011373	RES MF 137K 1% .12W 50PPM	HOLSWORTHY	H8C	A	EA	3	
R423	011373	RES MF 137K 1% .12W 50PPM	HOLSWORTHY	H8C	A	EA	-	
R424	011002	RES MF 10K0 1% .12W 50PPM	HOLSWORTHY	H8C	A	EA	-	
R425	011000	RES MF 100R 1% .12W 50PPM	HOLSWORTHY	H8C	A	EA	-	
R501	011690	RES MF 169R 1% .12W 50PPM	HOLSWORTHY	H8C	A	EA	1	
R502	011002	RES MF 10K0 1% .12W 50PPM	HOLSWORTHY	H8C	A	EA	-	
R503	011000	RES MF 100R 1% .12W 50PPM	HOLSWORTHY	H8C	A	EA	-	
R504	015902	RES MF 59K0 1% .12W 50PPM	HOLSWORTHY	H8C	A	EA	1	
R505	010251	RES MF 8K25 1% .12W 50PPM	HOLSWORTHY	H8C	A	EA	-	
R506	016811	RES MF 6K81 1% .12W 50PPM	HOLSWORTHY	H8C	A	EA	2	
R507	016811	RES MF 6K81 1% .12W 50PPM	HOLSWORTHY	H8C	A	EA	-	
R508	011373	RES MF 137K 1% .12W 50PPM	HOLSWORTHY	H8C	A	EA	-	
R509	090193-1	RES SET 136K/68K	VISHAY MANN	SEE DRG	H8C	S2	1	
R510	090192-1	RES SET 136K/68K	VISHAY MANN	SEE DRG	H8C	S2	-	
R511	070190-1	RES WM 1M080 .02%	VISHAY MANN	SEE DRG	H8C	EA	1	
R512	050082	RES MF 75K0 .25% .12W 50PPM	HOLSWORTHY	H8C	A	PA	1	
R513	050081	RES MF 4K99 .25% .12W 50PPM	HOLSWORTHY	H8C	A	EA	1	
R514	017502	RES MF 75K0 1% .12W 50PPM	HOLSWORTHY	H8C	A	EA	-	
R515	015111	RES MF 5K11 1% .12W 50PPM	HOLSWORTHY	H8C	A	EA	1	
R516	011001	RES MF 1K00 1% .12W 50PPM	HOLSWORTHY	H8C	A	EA	-	
R517	011000	RES MF 100R 1% .12W 50PPM	HOLSWORTHY	H8C	A	EA	6	
R518	012002	RES MF 20K0 1% .12W 50PPM	HOLSWORTHY	H8C	A	EA	-	
R519	012002	RES MF 20K0 1% .12W 50PPM	HOLSWORTHY	H8C	A	EA	-	
R520	010252	RES MF 02K5 1% .12W 50PPM	HOLSWORTHY	H8C	A	EA	2	
R521	010252	RES MF 02K5 1% .12W 50PPM	HOLSWORTHY	H8C	A	EA	-	
R522	011008	RES MF 10R0 1% .12W 50PPM	HOLSWORTHY	H8C	A	EA	-	
R523	012002	RES MF 20K0 1% .12W 50PPM	HOLSWORTHY	H8C	A	EA	-	
R524	011003	RES MF 100K 1% .12W 50PPM	HOLSWORTHY	H8C	A	EA	-	
R525	012211	RES MF 2K21 1% .12W 50PPM	HOLSWORTHY	H8C	A	EA	2	
R526	012211	RES MF 2K21 1% .12W 50PPM	HOLSWORTHY	H8C	A	EA	-	
R527	00000N	NOT FITTED				EA	4	
R528	00000N	NOT FITTED				EA	-	
R529	00000N	NOT FITTED				EA	-	
R530	00000N	NOT FITTED				EA	-	

DESIG	PART NO	DESCRIPTION	PRINC MANUF	MANUF PART NUMBER	CLASS	UM	QUANTITY	CHANGES
R531	06000N	RES CT NOT FITTED					EA	1
R532	014752	RES MF 47K5 1% .12W 50PPM	HOLSWORTHY	H8C	A	EA	1	
R533	011021	RES MF 1K82 1% .12W 50PPM	HOLSWORTHY	H8C	A	EA	1	
R534	011020	RES MF 182R 1% .12W 50PPM	HOLSWORTHY	H8C	A	EA	1	
R535	014750	RES MF 475R 1% .12W 50PPM	HOLSWORTHY	H8C	A	EA	-	
R536	011008	RES MF 10R0 1% .12W 50PPM	HOLSWORTHY	H8C	A	EA	-	
R537	011008	RES MF 10R0 1% .12W 50PPM	HOLSWORTHY	H8C	A	EA	-	
R538	011008	RES MF 10R0 1% .12W 50PPM	HOLSWORTHY	H8C	A	EA	-	
R539	011008	RES MF 10R0 1% .12W 50PPM	HOLSWORTHY	H8C	A	EA	-	
R540	011008	RES MF 10R0 1% .12W 50PPM	HOLSWORTHY	H8C	A	EA	-	
R541	014751	RES MF 4K75 1% .12W 50PPM	HOLSWORTHY	H8C	A	EA	7	
R542	014751	RES MF 4K75 1% .12W 50PPM	HOLSWORTHY	H8C	A	EA	-	
R543	011003	RES MF 100K 1% .12W 50PPM	HOLSWORTHY	H8C	A	EA	-	
R544	011002	RES MF 10K0 1% .12W 50PPM	HOLSWORTHY	H8C	A	EA	-	
R545	011002	RES MF 10K0 1% .12W 50PPM	HOLSWORTHY	H8C	A	EA	-	
R546	011003	RES MF 100K 1% .12W 50PPM	HOLSWORTHY	H8C	A	EA	-	
R601	012741	RES MF 2K74 1% .12W 50PPM	HOLSWORTHY	H8C	A	EA	1	
R602	011502	RES MF 15K0 1% .12W 50PPM	HOLSWORTHY	H8C	A	EA	2	
R603	090166	RES PACK 470K X 4 2%	AD	770-63-470K	A	EA	1	
R604	041004	RES MF 1M00 1% .12W 50PPM	HOLSWORTHY	H8C	A	EA	-	
R605	012551	RES MF 2K55 1% .12W 50PPM	HOLSWORTHY	H8C	A	EA	1	
R606	011242	RES MF 12K4 1% .12W 50PPM	HOLSWORTHY	H8C	A	EA	1	
R607	090095	RES PACK 47K X 4 2%	BECKMAN	LOB-3-R47K	A	EA	-	
R608	016810	RES MF 681R 1% .12W 50PPM	HOLSWORTHY	H8C	A	EA	1	
R609	013323	RES MF 332K 1% .12W 50PPM	HOLSWORTHY	H8C	A	EA	-	
R610	013320	RES MF 332R 1% .12W 50PPM	HOLSWORTHY	H8C	A	EA	1	
R611	011000	RES MF 100R 1% .12W 50PPM	HOLSWORTHY	H8C	A	EA	-	
R612	011022	RES MF 10K2 1% .12W 50PPM	HOLSWORTHY	H8C	A	EA	1	
R613	041004	RES MF 1M00 1% .12W 50PPM	HOLSWORTHY	H8C	A	EA	-	
R614	013321	RES MF 3K32 1% .12W 50PPM	HOLSWORTHY	H8C	A	EA	-	
R615	015621	RES MF 5K62 1% .12W 50PPM	HOLSWORTHY	H8C	A	EA	1	
R616	013321	RES MF 3K32 1% .12W 50PPM	HOLSWORTHY	H8C	A	EA	-	
R617	015110	RES MF 511R 1% .12W 50PPM	HOLSWORTHY	H8C	A	EA	1	
R618	014750	RES MF 475R 1% .12W 50PPM	HOLSWORTHY	H8C	A	EA	-	
R619	041004	RES MF 1M00 1% .12W 50PPM	HOLSWORTHY	H8C	A	EA	-	
R620	041004	RES MF 1M00 1% .12W 50PPM	HOLSWORTHY	H8C	A	EA	-	
R621	041004	RES MF 1M00 1% .12W 50PPM	HOLSWORTHY	H8C	A	EA	-	
R622	016812	RES MF 68K1 1% .12W 50PPM	HOLSWORTHY	H8C	A	EA	1	
R701	011003	RES MF 100K 1% .12W 50PPM	HOLSWORTHY	H8C	A	EA	-	
R702	012492	RES MF 24K9 1% .12W 50PPM	HOLSWORTHY	H8C	A	EA	1	
R703	012212	RES MF 22K1 1% .12W 50PPM	HOLSWORTHY	H8C	A	EA	-	
R704	012210	RES MF 22R1 1% .12W 50PPM	HOLSWORTHY	H8C	A	EA	2	
R705	012218	RES MF 22R1 1% .12W 50PPM	HOLSWORTHY	H8C	A	EA	-	
R706	011001	RES MF 1K00 1% .12W 50PPM	HOLSWORTHY	H8C	A	EA	-	
R707	011001	RES MF 1K00 1% .12W 50PPM	HOLSWORTHY	H8C	A	EA	-	

DESIG	PART NO	DESCRIPTION	PRINC MANUF	MANUF PART NUMBER	CLASS	UM	QUANTITY	CHANGES
R708	011001	RES MF 1K00 1% .12W 50PPH	HOLSWORTHY	H8C	A	EA	-	
R709	012670	RES MF 267R 1% .12W 50PPH	HOLSWORTHY	H8C	A	EA	2	
R710	012670	RES MF 267R 1% .12W 50PPH	HOLSWORTHY	H8C	A	EA	-	
R711	012001	RES MF 2K00 1% .12W 50PPH	HOLSWORTHY	H8C	A	EA	2	
R712	012001	RES MF 2K00 1% .12W 50PPH	HOLSWORTHY	H8C	A	EA	-	
R713	012003	RES MF 200K 1% .12W 50PPH	HOLSWORTHY	H8C	A	EA	-	
R714	012003	RES MF 200K 1% .12W 50PPH	HOLSWORTHY	H8C	A	EA	-	
R715	013921	RES MF 3K92 1% .12W 50PPH	HOLSWORTHY	H8C	A	EA	1	
R716	011503	RES MF 150K 1% .12W 50PPH	HOLSWORTHY	H8C	A	EA	-	
R801	090164	RES NTWK 2K2 X 8 2%	BECKMAN	LO9-1-R2K2	A	EA	1	
R802	014750	RES MF 475R 1% .12W 50PPH	HOLSWORTHY	H8C	A	EA	-	
R803	014750	RES MF 475R 1% .12W 50PPH	HOLSWORTHY	H8C	A	EA	-	
R804	011001	RES MF 1K00 1% .12W 50PPH	HOLSWORTHY	H8C	A	EA	-	
R805	090132	RES PACK 4K7 X 4 2%	BECKMAN	LO8-3-R4K7	A	EA	1	
R806	012740	RES MF 274R 1% .12W 50PPH	HOLSWORTHY	H8C	A	EA	3	
R807	012740	RES MF 274R 1% .12W 50PPH	HOLSWORTHY	H8C	A	EA	-	
R808	014751	RES MF 4K75 1% .12W 50PPH	HOLSWORTHY	H8C	A	EA	-	
R809	012740	RES MF 274R 1% .12W 50PPH	HOLSWORTHY	H8C	A	EA	-	
R810	014751	RES MF 4K75 1% .12W 50PPH	HOLSWORTHY	H8C	A	EA	-	
R812	011000	RES MF 100R 1% .12W 50PPH	HOLSWORTHY	H8C	A	EA	-	
R813	011000	RES MF 100R 1% .12W 50PPH	HOLSWORTHY	H8C	A	EA	-	
R814	011000	RES MF 100R 1% .12W 50PPH	HOLSWORTHY	H8C	A	EA	-	
R815	012000	RES MF 200R 1% .12W 50PPH	HOLSWORTHY	H8C	A	EA	2	
R816	012000	RES MF 200R 1% .12W 50PPH	HOLSWORTHY	H8C	A	EA	-	
R817	090168	RES PACK 1K X 4 2%	AB	770-83-1K	A	EA	0	
R818	090041	RES NTWK 4K7 X 7 2%	BECKMAN	LO8-1-R4K7	A	EA	1	
R819	090168	RES PACK 1K X 4 2%	AB	770-83-1K	A	EA	-	
R820	011000	RES MF 100R 1% .12W 50PPH	HOLSWORTHY	H8C	A	EA	-	
R821	011000	RES MF 100R 1% .12W 50PPH	HOLSWORTHY	H8C	A	EA	-	
R822	011000	RES MF 100R 1% .12W 50PPH	HOLSWORTHY	H8C	A	EA	-	
R823	011000	RES MF 100R 1% .12W 50PPH	HOLSWORTHY	H8C	A	EA	-	
R824	011000	RES MF 100R 1% .12W 50PPH	HOLSWORTHY	H8C	A	EA	-	
R825	011002	RES MF 10K0 1% .12W 50PPH	HOLSWORTHY	H8C	A	EA	-	
R826	011870	RES MF 187R 1% .12W 50PPH	HOLSWORTHY	H8C	A	EA	2	
R827	014751	RES MF 4K75 1% .12W 50PPH	HOLSWORTHY	H8C	A	EA	-	
R828	014751	RES MF 4K75 1% .12W 50PPH	HOLSWORTHY	H8C	A	EA	-	
R829	041964	RES MF 1M96 1% .12W 100PPH	HOLSWORTHY	H8C	A	EA	1	
R830	013322	RES MF 33K2 1% .12W 50PPH	HOLSWORTHY	H8C	A	EA	1	
R831	049763	RES MF 976K 1% .12W 50PPH	HOLSWORTHY	H8C	A	EA	1	
R832	011870	RES MF 187R 1% .12W 50PPH	HOLSWORTHY	H8C	A	EA	-	
R833	014751	RES MF 4K75 1% .12W 50PPH	HOLSWORTHY	H8C	A	EA	-	
R834	012212	RES MF 22K1 1% .12W 50PPH	HOLSWORTHY	H8C	A	EA	-	
R901	011000	RES MF 100R 1% .12W 50PPH	HOLSWORTHY	H8C	A	EA	-	
R902	090168	RES PACK 1K X 4 2%	AB	770-83-1K	A	EA	-	
R903	090168	RES PACK 1K X 4 2%	AB	770-83-1K	A	EA	-	

DESIG	PART NO	DESCRIPTION	PRINC MANUF	MANUF PART NUMBER	CLASS	UM	QUANTITY	CHANGES
R904	090121	RES NTWK 100K X 8 2%	BECKMAN	LO9-1-R100K	A	EA	4	
R905	090121	RES NTWK 100K X 8 2%	BECKMAN	LO9-1-R100K	A	EA	-	
R907	011000	RES MF 100R 1% .12W 50PPH	HOLSWORTHY	H8C	A	EA	-	
R908	090168	RES PACK 1K X 4 2%	AB	770-83-1K	A	EA	-	
R909	090168	RES PACK 1K X 4 2%	AB	770-83-1K	A	EA	-	
R910	090121	RES NTWK 100K X 8 2%	BECKMAN	LO9-1-R100K	A	EA	-	
R911	011000	RES MF 100R 1% .12W 50PPH	HOLSWORTHY	H8C	A	EA	-	
R912	090168	RES PACK 1K X 4 2%	AB	770-83-1K	A	EA	-	
R913	090168	RES PACK 1K X 4 2%	AB	770-83-1K	A	EA	-	
R914	090121	RES NTWK 100K X 8 2%	BECKMAN	LO9-1-R100K	A	EA	-	
R915	011502	RES MF 15K0 1% .12W 50PPH	HOLSWORTHY	H8C	A	EA	-	
R916	016198	RES MF 619R 1% .12W 50PPH	HOLSWORTHY	H8C	A	EA	1	
R917	011003	RES MF 100K 1% .12W 50PPH	HOLSWORTHY	H8C	A	EA	-	
R918	019092	RES MF 90K9 1% .12W 50PPH	HOLSWORTHY	H8C	A	EA	1	
R920	011503	RES MF 150K 1% .12W 50PPH	HOLSWORTHY	H8C	A	EA	-	
R921	011003	RES MF 100K 1% .12W 50PPH	HOLSWORTHY	H8C	A	EA	-	
C001	180047	CAP AE 1000UF 40V	ECC	SMVB	A	EA	2	
C002	180054	CAP AE 1UF 63V	PHILIPS	035 58108	A	EA	10	
C003	180054	CAP AE 1UF 63V	PHILIPS	035 58108	A	EA	-	
C004	180047	CAP AE 1000UF 40V	ECC	SMVB	A	EA	-	
C005	180054	CAP AE 1UF 63V	PHILIPS	035 58108	A	EA	-	
C006	180054	CAP AE 1UF 63V	PHILIPS	035 58108	A	EA	-	
C007	180061	CAP AE 220UF 63V	ECC	KHVB	A	EA	2	
C008	101103	CAP CD 10NF -20+80% 250V	BECK	CD10K310N02SCR/SK250	A	EA	5	
C009	180054	CAP AE 1UF 63V	PHILIPS	035 58108	A	EA	-	
C010	180054	CAP AE 1UF 63V	PHILIPS	035 58108	A	EA	-	
C011	180054	CAP AE 1UF 63V	PHILIPS	035 58108	A	EA	-	
C012	180061	CAP AE 220UF 63V	ECC	KHVB	A	EA	-	
C013	101103	CAP CD 10NF -20+80% 250V	BECK	CD10K310N02SCR/SK250	A	EA	-	
C014	180054	CAP AE 1UF 63V	PHILIPS	035 58108	A	EA	-	
C015	180062	CAP AE 2200UF 16V	ROEDERSTEIN	EKM00 JG 422D	A	EA	1	
C016	180054	CAP AE 1UF 63V	PHILIPS	035 58108	A	EA	-	
C017	180054	CAP AE 1UF 63V	PHILIPS	035 58108	A	EA	-	
C201	104030	CAP CD 100PF 10% 4KV	ITT	HD16	A	EA	1	
C202	140078	CAP PP 1NF 5% 100V	WIMA	FKP2	A	EA	2	
C203	150016	CAP DT 1UF 20% 35V	AVX	7AP1RON35F	A	EA	1	
C204	140077	CAP PP 100PF 5% 100V	WIMA	FKP2	A	EA	3	
C205	100222	CAP CD 2N2F 1% 100V	PHILIPS	2222 630 19222	A	EA	3	
C206	100222	CAP CD 2N2F 1% 100V	PHILIPS	2222 630 19222	A	EA	-	
C301	100820	CAP CP 82PF 2% 100V	PHILIPS	2222 683 34829	A	EA	2	
C302	104026	CAP CD 47NF +50%-20% 50V	SIEMENS	B37449	A	EA	14	
C303	104026	CAP CD 47NF +50%-20% 50V	SIEMENS	B37449	A	EA	-	
C204	100820	CAP CP 82PF 2% 100V	PHILIPS	2222 683 34829	A	EA	-	
C305	140077	CAP PP 100PF 5% 100V	WIMA	FKP2	A	EA	-	
C306	140077	CAP PP 100PF 5% 100V	WIMA	FKP2	A	EA	-	

DESIG	PART NO	DESCRIPTION	PRINC MANUF	MANUF PART NUMBER	CLASS	UH	QUANTITY	CHANGES
C307	110062	CAP PR 100P 10% 40V	ASHCROFT	M1B102 14B		EA	4	
C309	110062	CAP PE 100P 10% 40V	ASHCROFT	M1D102 14B		EA	-	
C309	180060	CAP AE 100P 50V	PHILIPS	035-9000B		EA	3	
C310	110035	CAP PE 220NF 20% 63V	WIMA	MKS2		EA	2	
C311	110035	CAP PE 220NF 20% 63V	WIMA	MKS2		EA	-	
C312	110042	CAP PE 100NF 20% 63V	WIMA	MKS2		EA	21	
C313	180060	CAP AR 100P 50V	PHILIPS	035-9000F		EA	-	
C314	180060	CAP AE 100P 50V	PHILIPS	035-9000B		EA	-	
C401	120004	CAP PC 680NF 10% 63V	ASHCROFT	A2B6011B		EA	1	
C402	140081	CAP PP 470NF 10% 160V	RIFA	PHE404FB6470K		EA	6	
C403	110042	CAP PE 100NF 20% 63V	WIMA	MKS2		EA	-	
C404	110042	CAP PE 100NF 20% 63V	WIMA	MKS2		EA	-	
C405	140078	CAP PP 1NF 5% 100V	WIMA	FKP2		EA	-	
C406	100472	CAP CP 4N7F 10% 100V	PHILIPS	2222 630 19472		EA	2	
C407	100472	CAP CP 4N7F 10% 100V	PHILIPS	2222 630 19472		EA	-	
C408	110042	CAP PE 100NF 20% 63V	WIMA	MKS2		EA	-	
C409	110042	CAP PE 100NF 20% 63V	WIMA	MKS2		EA	-	
C410	110042	CAP PE 100NF 20% 63V	WIMA	MKS2		EA	-	
C411	110042	CAP PE 100NF 20% 63V	WIMA	MKS2		EA	-	
C412	110042	CAP PE 100NF 20% 63V	WIMA	MKS2		EA	-	
C413	110042	CAP PE 100NF 20% 63V	WIMA	MKS2		EA	-	
C414	110064	CAP PE 100P 40V	ASHCROFT	M1B103 14B		EA	2	
C415	110064	CAP PE 100P 40V	ASHCROFT	M1B103 14B		EA	-	
C416	110062	CAP PE 100P 10% 40V	ASHCROFT	M1B102 14B		EA	-	
C417	110042	CAP PE 100NF 20% 63V	WIMA	MKS2		EA	-	
C418	110042	CAP PE 100NF 20% 63V	WIMA	MKS2		EA	-	
C419	110042	CAP PE 100NF 20% 63V	WIMA	MKS2		EA	-	
C420	110042	CAP PE 100NF 20% 63V	WIMA	MKS2		EA	-	
C421	110042	CAP PE 100NF 20% 63V	WIMA	MKS2		EA	-	
C422	110042	CAP PE 100NF 20% 63V	WIMA	MKS2		EA	-	
C501	150021	CAP DT 22UF 20% 25V	AVX	TAP22H25F	A	EA	2	
C502	150021	CAP DT 22UF 20% 25V	AVX	TAP22H25F	A	EA	-	
C503	100101	CAP CD 100PP 2% 100V	PHILIPS	2222 683 34101		EA	2	
C504	140086	CAP PP 10NF 5% 63V	WIMA	FKP2		EA	1	
C505	140086	CAP PP 68NF 5% 63V	WIMA	FKP2		EA	1	
C506	100101	CAP CD 100PP 2% 100V	PHILIPS	2222 683 34101		EA	-	
C507	140065	CAP PP 47NF 10% 160V	WIMA	MKP10		EA	2	
C508	110042	CAP PE 100NF 20% 63V	WIMA	MKS2		EA	-	
C509	110042	CAP PE 100NF 20% 63V	WIMA	MKS2		EA	-	
C511	10000H	CAP - NOT FITTED				EA	3	
C512	10000H	CAP - NOT FITTED				EA	-	
C513	10000H	CAP - NOT FITTED				EA	-	
C514	150020	CAP DT 10UF 20% 25V	AVX	TAP10H25F	A	EA	10	
C515	100270	CAP CP 27PF 2% 100V	PHILIPS	2222 683 34279		EA	1	
C516	150020	CAP DT 10UF 20% 25V	AVX	TAP10H25F	A	EA	-	

DESIG	PART NO	DESCRIPTION	PRINC MANUF	MANUF PART NUMBER	CLASS	UH	QUANTITY	CHANGES
C517	100222	CAP CP 2N2F 10% 100V	PHILIPS	2222 630 19222		EA	-	
C518	104025	CAP CD 100NF +80%-20% 50V	SIEMENS	B37449		EA	10	
C519	104025	CAP CD 100NF +80%-20% 50V	SIEMENS	B37449		EA	-	
C520	150020	CAP DT 10UF 20% 25V	AVX	TAP10H25F	A	EA	-	
C521	104026	CAP CD 47NF +50%-20% 50V	SIEMENS	B37449		EA	-	
C522	104025	CAP CD 100NF +80%-20% 50V	SIEMENS	B37449		EA	-	
C523	150020	CAP DT 10UF 20% 25V	AVX	TAP10H25F	A	EA	-	
C524	150020	CAP DT 10UF 20% 25V	AVX	TAP10H25F	A	EA	-	
C525	150020	CAP DT 10UF 20% 25V	AVX	TAP10H25F	A	EA	-	
C526	100151	CAP CP 150PF 2% 100V	PHILIPS	2222 683 34151		EA	3	
C527	100330	CAP CP 33PF 2% 100V	PHILIPS	2222 683 34339		EA	1	
C528	101103	CAP CD 10NF -20+80% 250V	BECK	CD10K310N0ZSCR/SK250		EA	-	
C529	100220	CAP CP 22PF 2% 100V	PHILIPS	2222 683 34229		EA	1	
C530	140065	CAP PP 47NF 10% 160V	WIMA	MKP10		EA	-	
C601	110042	CAP PE 100NF 20% 63V	WIMA	MKS2		EA	-	
C602	110042	CAP PE 100NF 20% 63V	WIMA	MKS2		EA	-	
C603	110042	CAP PE 100NF 20% 63V	WIMA	MKS2		EA	-	
C604	110042	CAP PE 100NF 20% 63V	WIMA	MKS2		EA	-	
C605	110039	CAP PE 470NF 20% 63V	WIMA	MKS2		EA	1	
C606	104025	CAP CD 100NF +80%-20% 50V	SIEMENS	B37449		EA	-	
C607	130088	CAP PS 330PF 2.5% 63V	SUFLEX	H5		EA	1	
C608	130004	CAP PS 100PF 5% 160V	SUFLEX	H5	A	EA	2	
C609	101103	CAP CD 10NF -20+80% 250V	BECK	CD10K310N0ZSCR/SK250		EA	-	
C610	130004	CAP PS 100PF 5% 160V	SUFLEX	H5		EA	-	
C611	140076-1	CAP VAR 16PF	TRONSER	SEE DRG	A	EA	-	
C612	130014	CAP PS 33PF +/-0.5P 160V	SUFLEX	H5		EA	-	
C613	102688	CAP CD 68PF +/-0.5P 500V	BECK	CD68CG06P0DSCR/SK500		EA	-	
C614	100102	CAP CP 1NF 10% 100V	PHILIPS	2222 630 19102		EA	-	
C615	102398	CAP CD 39PF 20% 500V	BECK	CD39AG03P0DSCR/SK500	A	EA	-	
C616	102398	CAP CD 39PF +/-0.5P 500V	BECK	CD39AG03P0DSCR/SK500	A	EA	2	
C617	102398	CAP CD 39PF +/-0.5P 500V	BECK	CD39AG03P0DSCR/SK500	A	EA	-	
C618	104025	CAP CD 100NF +80%-20% 50V	SIEMENS	B37449		EA	-	
C619	104025	CAP CD 100NF +80%-20% 50V	SIEMENS	B37449		EA	-	
C701	150020	CAP DT 10UF 20% 25V	AVX	TAP10H25F	A	EA	-	
C702	150020	CAP DT 10UF 20% 25V	AVX	TAP10H25F	A	EA	-	
C703	140081	CAP PP 470NF 10% 160V	RIFA	PHE404FB6470K		EA	-	
C705	110062	CAP PE 100P 10% 40V	ASHCROFT	M1B102 14B		EA	-	
C706	140081	CAP PP 470NF 10% 160V	RIFA	PHE404FB6470K		EA	-	
C707	140081	CAP PP 470NF 10% 160V	RIFA	PHE404FB6470K		EA	-	
C708	100470	CAP CP 47PF 2% 100V	PHILIPS	2222 683 34479		EA	2	
C709	100470	CAP CP 47PF 2% 100V	PHILIPS	2222 683 34479		EA	-	
C710	140081	CAP PP 470NF 10% 160V	RIFA	PHE404FB6470K		EA	-	
C711	140081	CAP PP 470NF 10% 160V	RIFA	PHE404FB6470K		EA	-	
C712	100338	CAP CP 39PF 2% 100V	PHILIPS	2222 683 09338		EA	1	
C713	110020	CAP PE 47NF 20% 63V	WIMA	MKS2		EA	1	

DESIG	PART NO	DESCRIPTION	PRINC MANUF	MANUF PART NUMBER	CLASS	UH	QUANTITY	CHANGES
C714	104026	CAP CD 47NF +50%-20% 50V	SIEMENS	B37449			EA -	
C715	100122	CAP CP 1M2F 10% 100V	PHILIPS	2222 630 19122			EA 2	
C716	100122	CAP CP 1M2F 10% 100V	PHILIPS	2222 630 19122			EA -	
C801	104052	CAP MTK 220PF 10%	MURATA/ERIE	BXCC117-33M			EA 1	
C802	104026	CAP CD 47NF +50%-20% 50V	SIEMENS	B37449			EA	
C803	104025	CAP CD 100NF +80%-20% 50V	SIEMENS	B37449			EA	
C804	104025	CAP CD 100NF +80%-20% 50V	SIEMENS	B37449			EA	
C805	104026	CAP CD 47NF +50%-20% 50V	SIEMENS	B37449			EA -	
C806	104026	CAP CD 47NF +50%-20% 50V	SIEMENS	B37449			EA -	
C807	104026	CAP CD 47NF +50%-20% 50V	SIEMENS	B37449			EA -	
C808	110041	CAP PE 10NF 20% 100V	WIMA	FK52			EA 1	
C809	110058	CAP PE 68NF 10% 63V	WIMA	HKS2			EA 1	
C901	104026	CAP CD 47NF +50%-20% 50V	SIEMENS	B37449			EA -	
C902	100150	CAP CP 15PF 2% 100V	PHILIPS	2222 683 10159			EA 2	
C903	101103	CAP CD 10NF -20+80% 250V	BECK	CD10K310N0ZSCR/SK250			EA	
C904	104026	CAP CD 47NF +50%-20% 50V	SIEMENS	B37449			EA -	
C905	100151	CAP CP 150PF 2% 100V	PHILIPS	2222 683 34151			EA -	
C906	104026	CAP CD 47NF +50%-20% 50V	SIEMENS	B37449			EA -	
C907	100150	CAP CP 15PF 2% 100V	PHILIPS	2222 683 10159			EA -	
C908	100151	CAP CP 150PF 2% 100V	PHILIPS	2222 683 34151			EA	
C909	104026	CAP CD 47NF +50%-20% 50V	SIEMENS	B37449			EA	
C910	104026	CAP CD 47NF +50%-20% 50V	SIEMENS	B37449			EA	
C911	104026	CAP CD 47NF +50%-20% 50V	SIEMENS	B37449			EA -	
C912	180059	CAP AE 470UF 25V	ECC	HMVB			EA 1	
C913	150020	CAP DT 10UF 20% 25V	AVX	7AP10H25F	A		EA -	
C914	104025	CAP CD 100NF +80%-20% 50V	SIEMENS	B37449			EA	
C915	104025	CAP CD 100NF +80%-20% 50V	SIEMENS	B37449			EA	
C916	150020	CAP DT 10UF 20% 25V	AVX	7AP10M25F	A		EA -	
D001	209014	DIODE BR 1A5 400V	MICRO-ELECTRONICS	W004			EA 2	
D002	209014	DIODE BR 1A5 400V	MICRO-ELECTRONICS	W004			EA -	
D003	200028	DIODE SB 1A 30V	INT RECTIFIERS	11D004			EA 2	
D004	200028	DIODE SB 1A 30V	INT RECTIFIERS	11D004			EA -	
D005	200006	DIODE GP 1A 600V	FAIRCHILD	1N4005			EA 6	
D006	200006	DIODE GP 1A 600V	FAIRCHILD	1N4005			EA -	
D007	200006	DIODE GP 1A 600V	FAIRCHILD	1N4005			EA -	
D008	200006	DIODE GP 1A 600V	FAIRCHILD	1N4005			EA -	
D009	200006	DIODE GP 1A 600V	FAIRCHILD	1N4005			EA -	
D010	200006	DIODE GP 1A 600V	FAIRCHILD	1N4005			EA -	
D011	200006	DIODE GP 1A 600V	FAIRCHILD	1N4005			EA -	
D012	213009	DIODE ZN 15V 5W	UNITRODE	TV5515			EA 2	
D013	213009	DIODE ZN 15V 5W	UNITRODE	TV5515			EA -	
D014	213006	DIODE ZN 5V 5W	UNITRODE	TV5505			EA 3	
D201	211220	DIODE ZN 22V 1.3W	PHILIPS	BEV85C22			EA 2	
D202	211220	DIODE ZN 22V 1.3W	PHILIPS	BEV85C22			EA -	
D203	211200	DIODE ZN 20V 1.3W	PHILIPS	BEV85C20			EA 2	

DESIG	PART NO	DESCRIPTION	PRINC MANUF	MANUF PART NUMBER	CLASS	UH	QUANTITY	CHANGES
D204	211200	DIODE ZN 20V 1.3W	PHILIPS	BEV85C20			EA -	
D205	210150	DIODE ZN 15V 400mW	PHILIPS	BEX79C15	A		EA 2	
D206	210150	DIODE ZN 15V 400mW	PHILIPS	BEX79C15	A		EA -	
D207	210068	DIODE ZN 5V8 400mW	PHILIPS	BEX79C6V8	A		EA 1	
D208	200001	DIODE GP 75mA 75V	FAIRCHILD	1N4148			EA 11	
D209	200001	DIODE GP 75mA 75V	FAIRCHILD	1N4148			EA	
D210	200001	DIODE GP 75mA 75V	FAIRCHILD	1N4148			EA -	
D211	210120	DIODE ZN 12V 400mW	PHILIPS	BEX79C12	A		EA 5	
D212	210120	DIODE ZN 12V 400mW	PHILIPS	BEX79C12	A		EA -	
D213	200008	DIODE GP 200mA 125V	FAIRCHILD	1N458A	A		EA 8	
D214	200008	DIODE GP 200mA 125V	FAIRCHILD	1N458A	A		EA -	
D215	210062	DIODE ZN 6V2 400mW	PHILIPS	BEX79C6V2	A		EA 2	
D216	210062	DIODE ZN 6V2 400mW	PHILIPS	BEX79C6V2	A		EA	
D217	200001	DIODE GP 75mA 75V	FAIRCHILD	1N4148			EA	
D218	200001	DIODE GP 75mA 75V	FAIRCHILD	1N4148			EA	
D401	210120	DIODE ZN 12V 400mW	PHILIPS	BEX79C12	A		EA	
D402	210039	DIODE ZN 3V9 400mW	PHILIPS	BEX79C3V9	A		EA 2	
D403	210039	DIODE ZN 3V9 400mW	PHILIPS	BEX79C3V9	A		EA -	
D404	200008	DIODE GP 200mA 125V	FAIRCHILD	1N458A	A		EA	
D405	200008	DIODE GP 200mA 125V	FAIRCHILD	1N458A	A		EA	
D501	200008	DIODE GP 200mA 125V	FAIRCHILD	1N458A	A		EA	
D502	200008	DIODE GP 200mA 125V	FAIRCHILD	1N458A	A		EA	
D503	210120	DIODE ZN 12V 400mW	PHILIPS	BEX79C12	A		EA	
D504	210120	DIODE ZN 12V 400mW	PHILIPS	BEX79C12	A		EA -	
D505	210051	DIODE ZN 5V1 400mW	PHILIPS	BEX79C5V1	A		EA 3	
D506	210051	DIODE ZN 5V1 400mW	PHILIPS	BEX79C5V1	A		EA	
D507	200008	DIODE GP 200mA 125V	FAIRCHILD	1N458A	A		EA	
D508	200008	DIODE GP 200mA 125V	FAIRCHILD	1N458A	A		EA	
D509	213006	DIODE ZN 5V 5W	UNITRODE	TV5505			EA	
D510	210051	DIODE ZN 5V1 400mW	PHILIPS	BEX79C5V1	A		EA	
D601	210047	DIODE ZN 4V7 400mW	PHILIPS	BEX79C4V7	A		EA 1	
D602	200001	DIODE GP 75mA 75V	FAIRCHILD	1N4148			EA -	
D603	200001	DIODE GP 75mA 75V	FAIRCHILD	1N4148			EA -	
D604	210027	DIODE ZN 2V7 400mW	PHILIPS	BEX79C2V7	A		EA 1	
D701	210100	DIODE ZN 10V 400mW	PHILIPS	BEX79C10	A		EA 1	
D704	200001	DIODE GP 75mA 75V	FAIRCHILD	1N4148			EA	
D705	200001	DIODE GP 75mA 75V	FAIRCHILD	1N4148			EA	
D706	200001	DIODE GP 75mA 75V	FAIRCHILD	1N4148			EA	
D707	200001	DIODE GP 75mA 75V	FAIRCHILD	1N4148			EA	
D901	213006	DIODE ZN 5V 5W	UNITRODE	TV5505			EA	
D902	400695-1	ASSY COH CATHODE DIODE	DATRON	SRE DRG			EA	
D903	400695-1	ASSY COH ANODE DIODE	DATRON	SRE DRG			EA	
D904	400695-1	ASSY COH CATHODE DIODE	DATRON	SRE DRG			EA	
D905	400695-1	ASSY COH ANODE DIODE	DATRON	SRE DRG			EA	
D906	200006	DIODE GP 1A 600V	FAIRCHILD	1N4005			EA	

DESIG	PART NO	DESCRIPTION	PRINC MANUP	MANUP PART NUMBER	CLASS UM	QUANTITY	CHANGES
D907	213011	DIODE VR 1V5 250mW	PHILIPS	BEV46-1V5	EA	2	
D908	213011	DIODE VR 1V5 250mW	PHILIPS	BZV46-1V5	EA	-	
Q201	230002	TRAN JFET N-CHAN	SILICONIX	J304	EA	8	
Q202	230002	TRAN JFET N-CHAN	SILICONIX	J304	EA	-	
Q203	230089	TRAN JFET I LIM 240uA	SILICONIX	J500	EA	2	
Q204	230089	TRAN JFET I LIM 240uA	SILICONIX	J500	EA	-	
Q205	230082	TRAN MOSFET N-CHAN 60V	SILICONIX	VH10LM	EA	1	
Q206	230002	TRAN JFET N-CHAN	SILICONIX	J304	EA	-	
Q207	230002	TRAN JFET N-CHAN	SILICONIX	J304	EA	-	
Q208	240006	TRAN NPN TO92	MOTOROLA	2N3904	EA	10	
Q209	250004	TRAN PNP TO92	NATIONAL	2N3906	EA	8	
Q210	240009	TRAN NPN TO18	NATIONAL	MP5L01/2N5550	EA	5	
Q211	250009	TRAN PNP TO92	NATIONAL	2N5401	EA	5	
Q212	240009	TRAN NPN TO18	NATIONAL	MP5L01/2N5550	EA	-	
Q213	250009	TRAN PNP TO92	NATIONAL	2N5401	EA	-	
Q214	230080	TRAN JFET N-CHAN	SILICONIX	J201	EA	2	
Q215	230027-1	TRAN JFET N-CHAN 60V	DATRON	SEE DRG	A	EA	2
Q216	230027-1	TRAN JFET N-CHAN 60V	DATRON	SEE DRG	A	EA	-
Q217	250034	TRAN PNP TO92	NATIONAL	2N3906	EA	-	
Q218	240006	TRAN NPN TO92	MOTOROLA	2N3904	EA	-	
Q301	230023	TRAN JFET N CHAN DUAL	SILICONIX	U401	EA	2	
Q302	230002	TRAN JFET N-CHAN	SILICONIX	J304	EA	-	
Q303	230002	TRAN JFET N-CHAN	SILICONIX	J304	EA	-	
Q304	239093-1	TRAN JFET SET PH4117A X 4	DATRON	SEE DRG	S4	1	
Q305	239093-1	TRAN JFET SET PH4117A X 4	DATRON	SEE DRG	S4	-	
Q306	239093-1	TRAN JFET SET PH4117A X 4	DATRON	SEE DRG	S4	-	
Q307	239093-1	TRAN JFET SET PH4117A X 4	DATRON	SEE DRG	S4	-	
Q308	230023	TRAN JFET N CHAN DUAL	SILICONIX	U401	EA	-	
Q309	250004	TRAN PNP TO92	NATIONAL	2N3906	EA	-	
Q310	250004	TRAN PNP TO92	NATIONAL	2N3906	EA	-	
Q401	240009	TRAN NPN TO18	NATIONAL	MP5L01/2N5550	EA	-	
Q402	230080	TRAN JFET I LIM 1mA	SILICONIX	J505	EA	2	
Q403	240006	TRAN NPN TO92	MOTOROLA	2N3904	EA	-	
Q404	250009	TRAN PNP TO92	NATIONAL	2N5401	EA	-	
Q405	230080	TRAN JFET I LIM 1mA	SILICONIX	J505	EA	-	
Q406	250004	TRAN PNP TO92	NATIONAL	2N3906	EA	-	
Q407	250004	TRAN PNP TO92	NATIONAL	2N3906	EA	-	
Q408	240006	TRAN NPN TO92	MOTOROLA	2N3904	EA	-	
Q409	250004	TRAN PNP TO92	NATIONAL	2N3906	EA	-	
Q501	239084-1	TRAN JFET SET J100 X 2	DATRON	SEE DRG	S2	1	
U502	250009	TRAN PNP TO92	NATIONAL	2N5401	EA	-	
U503	250009	TRAN PNP TO92	NATIONAL	2N5401	EA	-	
U504	240009	TRAN NPN TO18	NATIONAL	MP5L01/2N5550	EA	-	
U505	239084-1	TRAN JFET SET J100 X 2	DATRON	SEE DRG	S2	-	
U506	230079	TRAN JFET N CHAN DUAL	MICRO-POWER SYSTEMS	MP845	EA	-	

DESIG	PART NO	DESCRIPTION	PRINC MANUP	MANUP PART NUMBER	CLASS UM	QUANTITY	CHANGES
Q507	240006	TRAN NPN TO92	MOTOROLA	2N3904	EA	-	
Q602	230080	TRAN JFET N-CHAN	SILICONIX	J201	EA	-	
Q604	230056	TRAN JFET N-CHAN	TELEDYNE	J212	EA	2	
Q605	240006	TRAN NPN TO92	MOTOROLA	2N3904	EA	-	
Q606	230029	TRAN JFET N-CHAN	SILICONIX	J309	EA	1	
Q607	230049	TRAN JFET I LIM 560uA	SILICONIX	J503	EA	1	
Q608	240006	TRAN NPN TO92	MOTOROLA	2N3904	EA	-	
Q609	230056	TRAN JFET N-CHAN	TELEDYNE	J212	EA	-	
Q701	230002	TRAN JFET N-CHAN	SILICONIX	J304	EA	-	
Q702	230002	TRAN JFET N-CHAN	SILICONIX	J304	EA	-	
Q801	240006	TRAN NPN TO92	MOTOROLA	2N3904	EA	-	
Q802	240009	TRAN NPN TO18	NATIONAL	MP5L01/2N5550	EA	-	
Q803	240006	TRAN NPN TO92	MOTOROLA	2N3904	EA	-	
Q901	240021	TRAN NPN	NATIONAL	BD135	EA	1	
Q902	250013	TRAN PNP	NATIONAL	BD136	EA	1	
Q903	250004	TRAN PNP TO92	NATIONAL	2N3906	EA	-	
Q904	240006	TRAN NPN TO92	MOTOROLA	2N3904	EA	-	
U001	260094	IC LIN REG +15V 1A	SGS	L7815ACV	A	EA	1
U002	260095	IC LIN REG -15V 1A	SGS	L7815ACV	A	EA	1
U003	260037	IC LIN REG 1.2-37V 1A POS	NATIONAL	LM317T	EA	1	
U004	260038	IC LIN REG 1.2-37V 1A NEG	NATIONAL	LM337T	EA	1	
U005	260097	IC LIN REG +5V 1A	SGS	L7805ACV	A	EA	1
U201	260075	IC LIN V COMP DUAL	NATIONAL	LM2903N	EA	1	
U202	280167	IC DIG SWITCH ANALOG X4	SILICONIX	DG211CJ	EA	8	
U203	260108	IC LIN OP AMP	LINEAR TECHNOLOGY	LT1012CN8	EA	3	
U301	280167	IC DIG SWITCH ANALOG X4	SILICONIX	DG211CJ	EA	-	
U302	260123	IC LIN OP AMP	HARRIS	HA2-2645-5	EA	1	
U303	260108	IC LIN OP AMP	LINEAR TECHNOLOGY	LT1012CN8	EA	-	
U304	280072	IC DIG MONO MULTIVIB ASTABL	NATIONAL	CD4047BCN	EA	1	
U401	280150	IC DIG MUX BT01 ANALOG	SILICONIX	FG508ACJ	EA	2	
U402	260082	IC LIN OP AMP CHOPPER	LINEAR TECHNOLOGY	LTC1052CN8	EA	1	
U403	260082	IC LIN OP AMP CHOPPER	LINEAR TECHNOLOGY	LTC1052CN8	EA	-	
U404	280167	IC DIG SWITCH ANALOG X4	SILICONIX	DG211CJ	EA	-	
U405	260111	IC LIN MODULE PRECISION REF	LINEAR TECHNOLOGY	LM399AH	EA	1	
U406	260082	IC LIN OP AMP CHOPPER	LINEAR TECHNOLOGY	LTC1052CN8	EA	-	
U407	260082	IC LIN OP AMP CHOPPER	LINEAR TECHNOLOGY	LTC1052CN8	EA	-	
U408	260082	IC LIN OP AMP CHOPPER	LINEAR TECHNOLOGY	LTC1052CN8	EA	-	
U501	280167	IC DIG SWITCH ANALOG X4	SILICONIX	DG211CJ	EA	-	
U502	280151	IC DIG SWITCH ANALOG X4	SILICONIX	DG308ABX	EA	2	
U503	280151	IC DIG SWITCH ANALOG X4	SILICONIX	DG308ABX	EA	-	
U504	280167	IC DIG SWITCH ANALOG X4	SILICONIX	DG211CJ	EA	-	
U505	260065	IC LIN OP AMP	PHI	OP27IC	EA	1	
U506	260082	IC LIN OP AMP CHOPPER	LINEAR TECHNOLOGY	LTC1052CN8	EA	-	
U507	260081	IC LIN OP AMP	SIGNETICS	NE5534AN	EA	1	
U508	260080	IC LIN V COMP	NATIONAL	LM311N	EA	2	

DESIG	PART NO	DESCRIPTION	PRINC MANUF	MANUF PART NUMBER	CLASS	UM	QUANTITY	CHANGES
U509	280129	IC DIG GATE ARRAY DIG	PLESSEY	CLA3722			EA	1
U510	280106	IC DIG BUFF LEVEL SHIFT X6	MOTOROLA	MC14504BCP			EA	3
U601	280160	IC DIG FLIP FLOP D X2	TEXAS	SN74HC74N			EA	1
U602	260050	IC LIN OP AMP TEST I/P DUAL 412	NATIONAL	LF412CN			EA	1
U604	280161	IC DIG COUNT4 SYNC BIN PL	TEXAS	SN74HCT161N			EA	1
U605	280166	IC DIG NAND2 X4	TEXAS	SN74HCT00N	A		EA	1
U701	280167	IC DIG SWITCH ANALOG X4	SILICONIX	DG211CT			EA	-
U702	260108	IC LIN OP AMP	LINEAR TECHNOLOGY	LT1012CN8			EA	-
U703	260099	IC LIN OP AMP	MOTOROLA	MC34181			EA	2
U704	280167	IC DIG SWITCH ANALOG X4	SILICONIX	DG211CJ			EA	-
U705	280167	IC DIG SWITCH ANALOG X4	SILICONIX	DG211CJ			EA	-
U706	280150	IC DIG MUX 8TO1 ANALOG	SILICONIX	DG508ACJ			EA	-
U707	280023	IC DIG NOR3 QUAD	MOTOROLA	MC14001UBCP			EA	1
U708	260080	IC LIN V COMP	NATIONAL	LM311N			EA	-
U709	260059	IC DIG COUNT4 SYNC BIN X2	MOTOROLA	MC14520BCP			EA	1
U710	280093	IC DIG EOR2 X4	MOTOROLA	MC14070BCP			EA	1
U711	280008	IC DIG NAND2 X4	MOTOROLA	MC14011BCP			EA	1
U801	220041	OPTO 3KV DUAL	H.P.	HCPL-2631	A		EA	3
U802	220027	OPTO HIGH CMR	H.P.	HCPL-2601			EA	1
U803	220041	OPTO 3KV DUAL	H.P.	HCPL-2631	A		EA	-
U804	280137	IC DIG BUFF 3S X2	PHILIPS	PC74HCT244P			EA	1
U805	220041	OPTO 3KV DUAL	H.P.	HCPL-2631	A		EA	-
U806	320030	OPTO H1 SPEED	HP	6N136			EA	1
U807	280068	IC DIG MONO RTRIG PREC	MOTOROLA	MC14536BCP			EA	1
U808	280152	IC DIG NAND2 SCHMITT X4	MOTOROLA	MC14093BCP			EA	1
U901	280132	IC DIG GATE ARRAY TX/RX	PLESSEY	CLA3106			EA	3
U902	280132	IC DIG GATE ARRAY TX/RX	PLESSEY	CLA3106			EA	-
U903	280132	IC DIG GATE ARRAY TX/RX	PLESSEY	CLA3106			EA	-
U904	280106	IC DIG BUFF LEVEL SHIFT X6	MOTOROLA	MC14504BCP			EA	-
U905	280090	IC DIG DECODER 2TO4 X2	MOTOROLA	MC14555BCP			EA	1
U906	280143-1	IC DIG BUFFER OCT 3S	SIGNETICS	SEE DRG	A		EA	2
U907	280143-1	IC DIG BUFF LEVEL SHIFT X6	MOTOROLA	MC14504BCP			EA	-
U908	280143-1	IC DIG BUFFER OCT 3S	SIGNETICS	SEE DRG	A		EA	-
U909	260099	IC LIN OP AMP	MOTOROLA	MC34181			EA	-
T701	350001-2	TRANSF SELF CAL 1281	SIGA	SEE DRG			EA	1
K101	330039	RELAY 4PNO	SDS	S4-L-6V			EA	*
K102	330039	RELAY 4PNO	SDS	S4-L-6V			EA	-
K103	330039	RELAY 4PNO	SDS	S4-L-6V			EA	-
K104	330039	RELAY 4PNO	SDS	S4-L-6V			EA	-
K105	330039	RELAY 4PNO	SDS	S4-L-6V			EA	-
K106	330039	RELAY 4PNO	SDS	S4-L-6V			EA	-
K107	330059	RELAY LATCHING 2P C/O 6V	SDS	TQ2-L-6V			EA	1
K108	330059	RELAY LATCHING 2P C/O 6V	SDS	TQ2-L-6V			EA	-
K109	330038	RELAY 2PNO 2PNC	SDS	S2-L-6V			EA	5
K201	330038	RELAY 2PNO 2PNC	SDS	S2-L-6V			EA	-

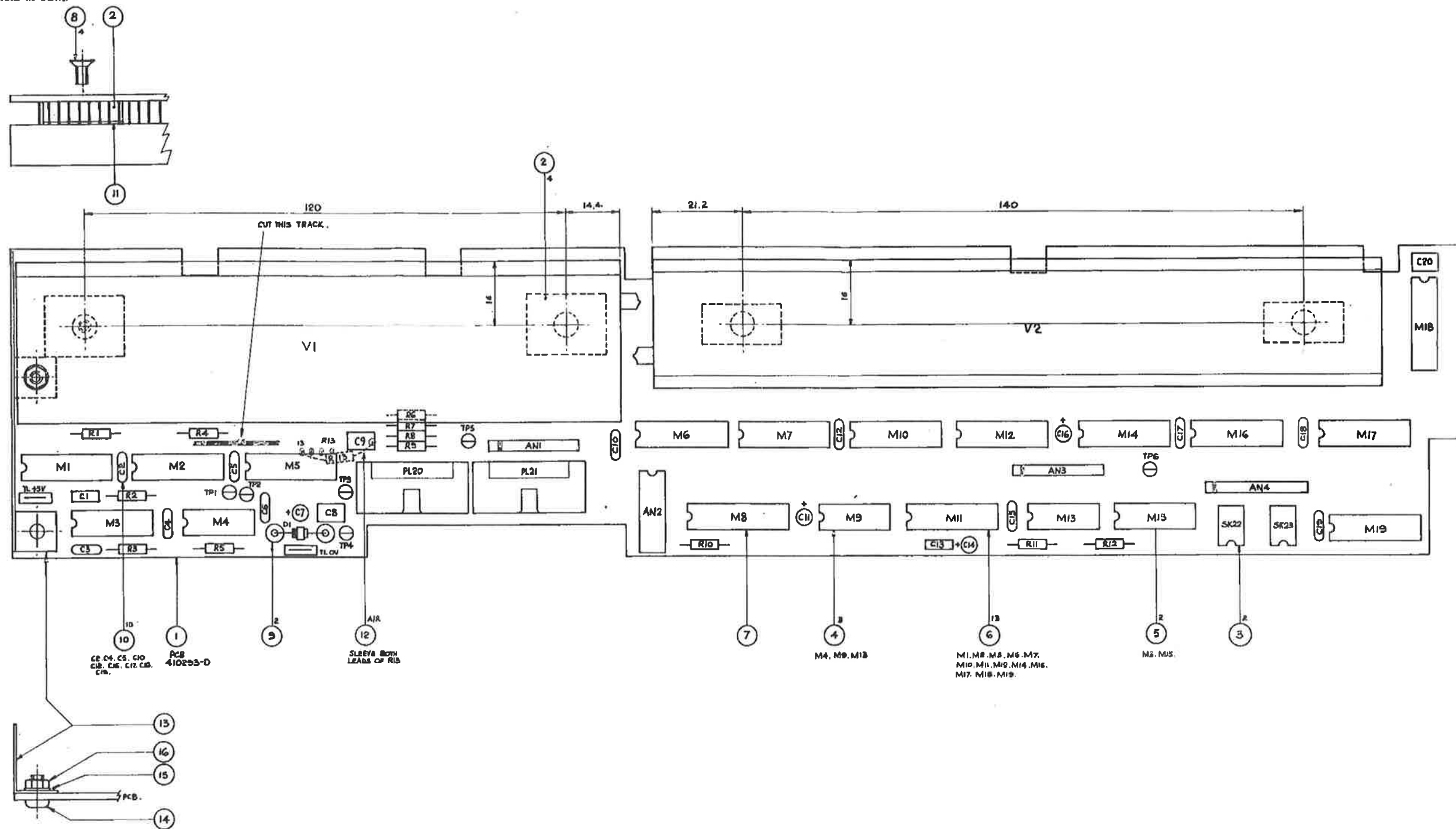
DESIG	PART NO	DESCRIPTION	PRINC MANUF	MANUF PART NUMBER	CLASS	UM	QUANTITY	CHANGES
K202	330030	RELAY 4PNO	SDS	S4-24V			EA	1
K203	330042-2	RELAY 3PNO 1PNC	SDS	S2-L-6V			EA	1
K204	330038	RELAY 2PNO 2PNC	SDS	S2-L-6V			EA	-
K205	330038	RELAY 2PNO 2PNC	SDS	S2-L-6V			EA	-
K401	330038	RELAY 2PNO 2PNC	SDS	S2-L-6V			EA	-
L101	370032-1	CHOKO COM MODE RM7	SIGA	SEE DRG			EA	1
L102	370031-1	CHOKO COM MODE RM10	SIGA	SEE DRG			EA	2
L103	370031-1	CHOKO COM MODE RM10	SIGA	SEE DRG			EA	-
L601	370040	CHOKO RF 2.7UH	SIGMA	SC10			EA	1
A401	400764-1	ASSY REF MODULE SELECTED	DATRON	SEE DRG			EA	1
J100	604084	PLUG PCB 6-WAY .1"	MOLEX	22-10-2061			EA	1
J101	604046	PLUG PCB 3-WAY .1"	MOLEX	22-10-2031			EA	7
J102	604056	PLUG PCB 4-WAY .1"	MOLEX	22-10-2041			EA	1
J103	604086	PLUG PCB 12-WAY .1"	MOLEX	22-29-2121			EA	1
J105	604076	PLUG PCB 16-WAY .1"x.1" GRID	3M	3599-6002 UN			EA	3
J107	604076	PLUG PCB 16-WAY .1"x.1" GRID	3M	3599-6002 UN			EA	-
J109	604076	PLUG PCB 16-WAY .1"x.1" GRID	3M	3599-6002 UN			EA	-
J110	400758-1	ASSY CABLE SIG IP	DATRON	SEE DRG			EA	1
J120	604075	PLUG PCB 6-WAY .1"	MOLEX	22-29-2061			EA	3
J121	604074	PLUG PCB 3-WAY .1"	MOLEX	22-29-3031			EA	3
J122	604033	PLUG PCB 4-WAY .1"	MOLEX	22-29-2041			EA	9
J130	604075	PLUG PCB 6-WAY .1"	MOLEX	22-29-2061			EA	-
J131	604074	PLUG PCB 3-WAY .1"	MOLEX	22-29-3031			EA	-
J432	604033	PLUG PCB 4-WAY .1"	MOLEX	22-29-2041			EA	-
J140	604075	PLUG PCB 6-WAY .1"	MOLEX	22-29-2061			EA	-
J141	604074	PLUG PCB 3-WAY .1"	MOLEX	22-29-3031			EA	-
J142	604033	PLUG PCB 4-WAY .1"	MOLEX	22-29-2041			EA	-
J143	604085	PLUG PCB 2-WAY .1"	MOLEX	22-29-2021			EA	1
J150	604033	PLUG PCB 4-WAY .1"	MOLEX	22-29-2041			EA	-
J151	604033	PLUG PCB 4-WAY .1"	MOLEX	22-29-2041			EA	-
J152	604033	PLUG PCB 4-WAY .1"	MOLEX	22-29-2041			EA	-
J160	604033	PLUG PCB 4-WAY .1"	MOLEX	22-29-2041			EA	-
J161	604033	PLUG PCB 4-WAY .1"	MOLEX	22-29-2041			EA	-
J162	604033	PLUG PCB 4-WAY .1"	MOLEX	22-29-2041			EA	-
E101	60000N	PIN - NOT FITTED	DATRON	SEE DRG			EA	1
TL001	620013-1	TEST LOOP	DATRON	SEE DRG			EA	16
TL002	620013-1	TEST LOOP	DATRON	SEE DRG			EA	-
TL003	620013-1	TEST LOOP	DATRON	SEE DRG			EA	-
TL004	620013-1	TEST LOOP	DATRON	SEE DRG			EA	-
TL005	620013-1	TEST LOOP	DATRON	SEE DRG			EA	-
TL101	620013-1	TEST LOOP	DATRON	SEE DRG			EA	-
TL102	620013-1	TEST LOOP	DATRON	SEE DRG			EA	-
TL301	620013-1	TEST LOOP	DATRON	SEE DRG			EA	-
TL302	620013-1	TEST LOOP	DATRON	SEE DRG			EA	-
TL303	604046	PLUG PCB 3-WAY .1"	MOLEX	22-10-2031			EA	-

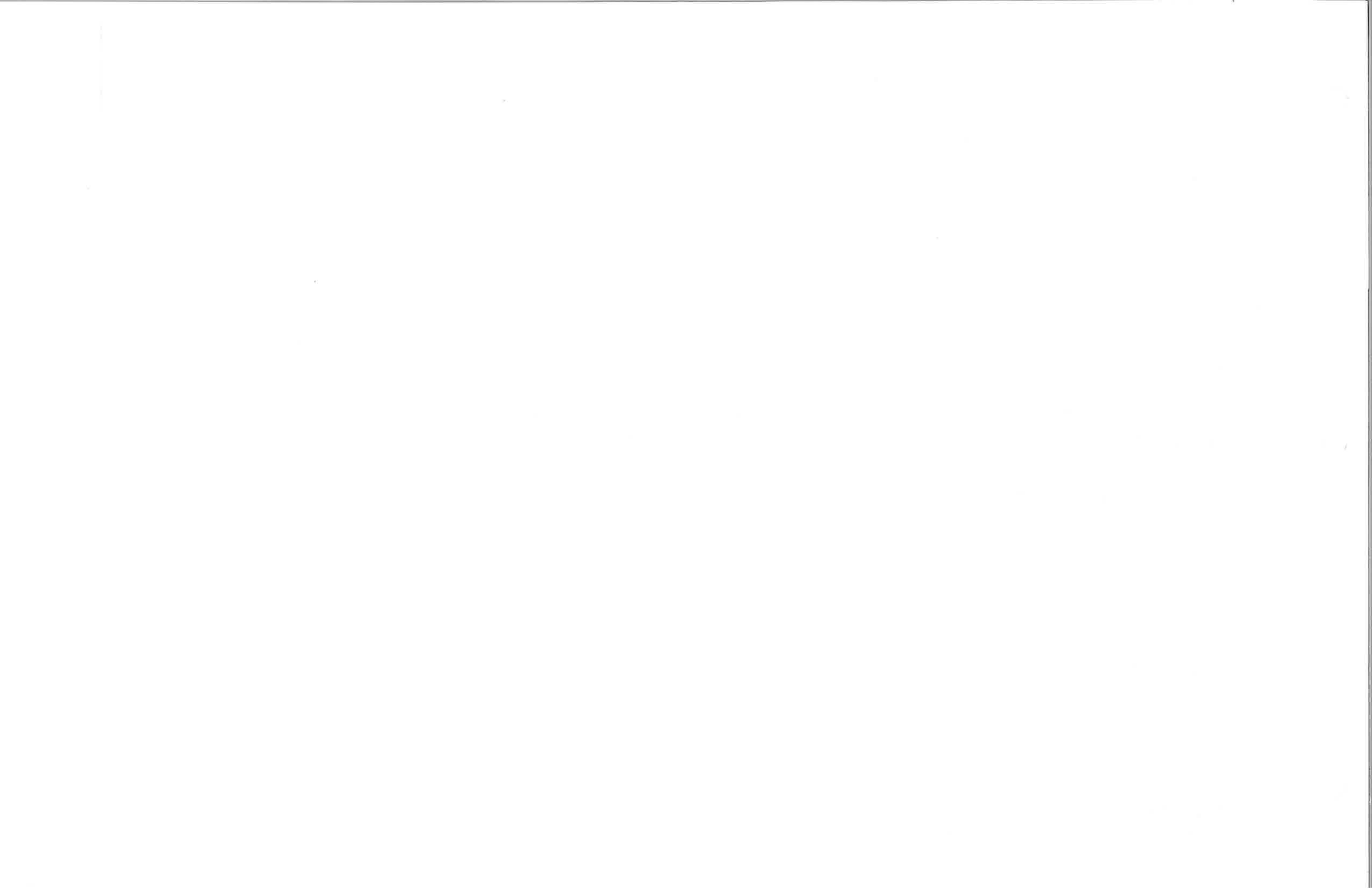
DESIG	PART NO	DESCRIPTION	PRINC MANUF	MANUF PART NUMBER	CLASS	UM	QUANTITY	CHANGES
TL304	620013-1	TEST LOOP	DATRON	SEE DRG				EA
TL401	620013-1	TEST LOOP	DATRON	SEE DRG				EA
TL501	620013-1	TEST LOOP	DATRON	SEE DRG				EA
TL502	620013-1	TEST LOOP	DATRON	SEE DRG				EA
TL503	620013-1	TEST LOOP	DATRON	SEE DRG				EA
TL504	620013-1	TEST LOOP	DATRON	SEE DRG				EA
TL505	620013-1	TEST LOOP	DATRON	SEE DRG				EA
TL506	620013-1	TEST LOOP	DATRON	SEE DRG				EA
TL801	604046	PLUG PCB 3-WAY .1"	MOLEX	22-10-2031				EA
TL802	604046	PLUG PCB 3-WAY .1"	MOLEX	22-10-2031				EA
TL803	604046	PLUG PCB 3-WAY .1"	MOLEX	22-10-2031				EA
TL901	604046	PLUG PCB 3-WAY .1"	MOLEX	22-10-2031				EA
TL902	604046	PLUG PCB 3-WAY .1"	MOLEX	22-10-2031				EA
TL903	620013-1	TEST LOOP	DATRON	SEE DRG				EA
TP101	620007	TEST POINT TERMINAL	MICROVAR	TYPE C30				EA 6
TP401	620007	TEST POINT TERMINAL	MICROVAR	TYPE C30				EA
TP402	620007	TEST POINT TERMINAL	MICROVAR	TYPE C30				EA
TP403	620007	TEST POINT TERMINAL	MICROVAR	TYPE C30				EA
TP701	620007	TEST POINT TERMINAL	MICROVAR	TYPE C30				EA
TP801	620007	TEST POINT TERMINAL	MICROVAR	TYPE C30				EA
Y701	800024	CRYSTAL 32.768KHz	IPQ	A103A				EA 1
	400758-2	ASSY CABLE SIG IP	DATRON	SEE DRG				EA 1
	410429-1	PCB DC 1271	DATRON	SEE DRG				EA 1
	602001	TERMINAL FSV	MOLEX	02-04-5114				EA 12
	605050	SOCKET PCB 40-WAY DIL	JERMYN	J23-18040				EA 1
	605059	SOCKET PCB 8-WAY DIL	JERMYN	J23-18008	A			EA 12
	605060	SOCKET PCB 14-WAY DIL	JERMYN	J23-18014	A			EA 7
	605061	SOCKET PCB 16-WAY DIL	JERMYN	J23-18016	A			EA 17
	605062	SOCKET PCB 18-WAY DIL	JERMYN	J23-18018	A			EA 3
	605070	SOCKET PCB 20-WAY DIL	JERMYN	J23-18020	A			EA 3
	605127	SOCKET LINK 2-WAY .1" BLK	ASSMANN	AKSPL-G				EA 5
	611016	SCREEN M3 X 8 POZIFAN SZP						EA 2
	611015	SCREEN M3 X 8 POZICKS SZP						EA 1
	612029-1	STANDOFF M3 X 12	DATRON	SEE DRG				EA 1
	612031-1	STANDOFF M3 X 16	DATRON	SEE DRG				EA 1
	613005	WASHER M3 INT SHAKEPROOF						EA 2
	613049	WASHER M4 FINISHING	SALTERFIX	07-11				EA 1
	615002	NUT M3 FULL SZP						EA 2
	620005	CLOVERLEAF LARGE PIPE	SEALLECTRO	011-6809-040599				EA 4
	630024	BEAD CERAMIC 1F SWG	PARK ROYAL PORCELAIN	No2				EA 10
	630243	BEAD GLASS 2.4 X 0.81 X 1.8	MANSOL (PREPORMS) LT	M53F3B/3				EA 65
	900009	LOCKING COMPOUND	LOCKTITE	222				AR 1
	920105-1	HEATSINK TO-202	RAVID	SEE DRG				EA 2
	940002	WIRE 1/.7 TANNED COPPER	NS4109	225WC				AR
	990004	SLEEVE PTFE 1mm BLK	HELLENMAN	FE10				AR

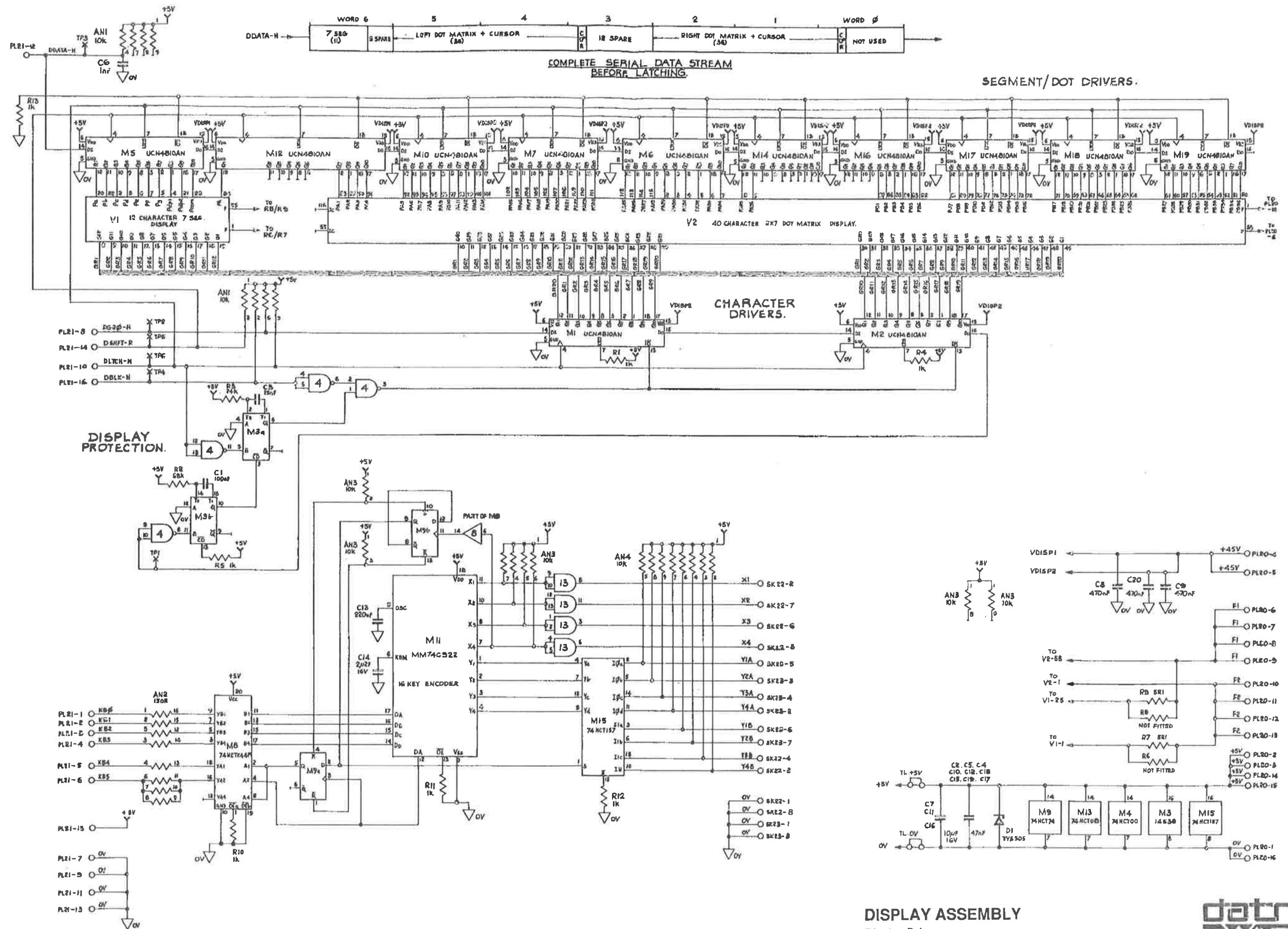
DESIG	PART NO	DESCRIPTION	PRINC MANUF	MANUF PART NUMBER	CLASS	UM	QUANTITY	CHANGES
ST101	999345	STAR POINT 24 NOT FITTED	PHILIPS	PX4017				EA 1
ST201	999085	STAR POINT 08 NOT FITTED						EA 1
ST401	999085	STAR POINT 08 NOT FITTED						EA 2
								EA

End

NOTE: SCREW HEAD
WILL SIT ABOVE
BOARD IN CSW.







DISPLAY ASSEMBLY
Display Driver


Drawing No. 430739

Sheet 1 of 1



© Datron Instruments 1989



DRAWING No 400739		CHK. D <i>DL</i>																
DI W/M		DATE <i>28/11/87</i>																
		ECO <i>28/11/87</i>																
		REVISION <i>1.0</i>																
		ISSUE <i>1.1</i>																
DESCRIPTION	DRAWING NUMBER	SHEET NUMBER	ISSUE - REVISION															
COMPONENT LAYOUT	480739	1	1.0															
SCHEMATIC	430739	1	1.1															
FUNCTIONAL TEST PROC.	460739/FT	ALL	1.0	1.1														
FUNC. TEST CHECK LIST	470739/FT	1	1.0	1.1														
PCB	410293	1	D															
NOTES <input type="checkbox"/> DENOTES NO CHANGE TO DCCS AT ISSUE LEVEL CHANGE			NO = NOT DRAWN			 <small>datron ELECTRONICS LTD NORWICH ENGLAND</small>			<small>CHK. D</small> <small>DATE</small> <i>18 MAR '87</i>		<small>APPD</small> <small>DATE</small> <i>25 SEP 87</i>		<small>TITLE</small> 1281 DISPLAY PCB. ASSY.		<small>DRAWING No</small> 400739 <small>SHEET 1 OF 5</small>			

DESIGNATOR	DATRON PART No.	DESCRIPTION	PRINCIPAL MANUFACTURER	MANUFACTURER'S PART No.	No. USED Per Assy.
R1	000102	1k0 5% 1/4W CARBON			7
R2	000683	68k 5% 1/4W CARBON			1
R3	000243	24k 5% 1/4W CARBON			1
R4	000102	1k0 5% 1/4W CARBON			-
R5	000102	1k0 5% 1/4W CARBON			-
R6		NOT USED			-
R7	000518	SR1 5% 1/4W CARBON			2
R8		NOT USED			-
R9	000518	SR1 5% 1/4W CARBON			-
R10	000102	1k0 5% 1/4W CARBON			-
R11	000102	1k0 5% 1/4W CARBON			-
R12	000102	1k0 5% 1/4W CARBON			-
R13	000102	1k0 5% 1/4W CARBON			-
AN1	090163	10k x 8 2% SIL NETWORK	DUBILIER	EXB EQB 10K	3
AN2	090153	150R x 8 2% DIL NETWORK	AB	761-3-150R	1
AN3	090163	10k x 8 2% SIL NETWORK	DUBILIER	EXB EQB 10K	-
AN4	090163	10k x 8 2% SIL NETWORK	DUBILIER	EXB EQB 10K	-

NOTES.

SEE SHEET 1 FOR LATEST ISSUE

REV																							
ECO																							
DATE																							
CHKD																							

DATE		datron ELECTRONICS LTD	
DRAWN		TITLE	
CHECKED		1281 DISPLAY PCB. ASSY.	
APPROVED		DRAWING NUMBER	400739
DATE		SHEET	2 OF 5

DESIGNATOR	DATRON PART No.	DESCRIPTION	PRINCIPAL MANUFACTURER	MANUFACTURER'S PART No.	No. USED Per Assy.
C1	110042	100nF 20% 63V POLYESTER	WIMA	MKS2	1
C2	104026	47nF $\pm 20\%$ 50V CER DISC	SIEMENS	B37449	9
C3	110015	15nF 20% 63V POLYESTER	WIMA	MKS2	1
C4	104026	47nF $\pm 20\%$ 50V CER DISC	SIEMENS	B37449	-
C5	104026	47nF $\pm 20\%$ 50V CER DISC	SIEMENS	B37449	-
C6	110030	1nF 20% 100V POLYESTER	WIMA	FKS2	1
C7	150002	10µF 20% 16V DIP TANT	UNION CARBIDE	K10E16	3
C8	110039	470nF 20% 63V POLYESTER	WIMA	MKS2	3
C9	110039	470nF 20% 63V POLYESTER	WIMA	MKS2	-
C10	104026	47nF $\pm 20\%$ 50V CER DISC	SIEMENS	B37449	-
C11	150002	10µF 20% 16V DIP TANT	UNION CARBIDE	K10E16	-
C12	104026	47nF $\pm 20\%$ 50V CER DISC	SIEMENS	B37449	-
C13	110035	220nF 20% 63V POLYESTER	WIMA	MKS2	1
C14	150005	2µF 20% 16V DIP TANT	UNION CARBIDE	K22E16	1
C15	104026	47nF $\pm 20\%$ 50V CER DISC	SIEMENS	B37449	-
C16	150002	10µF 20% 16V DIP TANT	UNION CARBIDE	K10E16	-
C17	104026	47nF $\pm 20\%$ 50V CER DISC	SIEMENS	B37449	-
C18	104026	47nF $\pm 20\%$ 50V CER DISC	SIEMENS	B37449	-
C19	104026	47nF $\pm 20\%$ 50V CER DISC	SIEMENS	B37449	-
C20	110039	470nF 20% 63V POLYESTER	WIMA	MKS2	-

NOTES.

SEE SHEET 2 FOR LATEST ISSUE

DATE		datron ELECTRONICS LTD TITLE 1281 DISPLAY PCB. ASSY. DRAWING NUMBER 400739 SHEET 3 OF 5
DRAWN		
CHECKED		
APPROVED		
DATE		

DESIGNATOR	DATRON PART No.	DESCRIPTION	PRINCIPAL MANUFACTURER	MANUFACTURER'S PART No.	No. USED Per Assy.
D1	213006	5V 5W ZENER	UNITRODE	TYS 505	1
M1	270106	DISPLAY DRIVERS	TEXAS	UCN4810AN	12
M2	270106	DISPLAY DRIVERS	TEXAS	UCN4810AN	-
M3	280068	DUAL MONOSTABLE	MOTOROLA	MC14538 BCP	1
M4	280166	QUAD 2 I/P NAND	TEXAS	74HCT00	1
M5	270106	DISPLAY DRIVERS	TEXAS	UCN4810AN	-
M6	270106	DISPLAY DRIVERS	TEXAS	UCN4810AN	-
M7	270106	DISPLAY DRIVERS	TEXAS	UCN4810AN	-
M8	280137	TRI-STATE OCT DRIVER	SIGNETICS	PC74HCT244P	1
M9	280160	DUAL D FLIP/FLOP 74HCT74	TEXAS	74HCT74	1
M10	270106	DISPLAY DRIVERS	TEXAS	UCN4810A	-
M11	280067	16 KEY ENCODER	NATIONAL	MM74C922N	1
M12	270106	DISPLAY DRIVERS	TEXAS	UCN4810AN	-
M13	280159	QUAD 2 I/P AND 74HCT08	TEXAS	74HCT08	1
M14	270106	DISPLAY DRIVERS	TEXAS	UCN4810AN	-
M15	280163	QUAD 2 I/P DATA SELECTOR	TEXAS	74HCT157	1
M16	270106	DISPLAY DRIVERS	TEXAS	UCN4810AN	-
M17	270106	DISPLAY DRIVERS	TEXAS	UCN4810AN	-
M18	270106	DISPLAY DRIVERS	TEXAS	UCN4810AN	-
M19	270106	DISPLAY DRIVERS	TEXAS	UCN4810AN	-

NOTES.

SEE SHEET 2 FOR LATEST ISSUE

DATE		datron ELECTRONICS LTD TITLE 1281 DISPLAY PCB. ASSY. DRAWING NUMBER 400739 SHEET 4 OF 5
DRAWN		
CHECKED		
APPROVED		
DATE		

DESIGNATOR	DATRON PART No.	DESCRIPTION	PRINCIPAL MANUFACTURER	MANUFACTURER'S PART No.	No. USED Per Assy.
PL20, PL21	604077	16 WAY LOW PROFILE 90° HEADER	3M	3599-5002 UN	2
TP1-TP6	620007	TEST POINT TERMINAL	MICROVAR	TYPE C30	6
TL0V, TL+5V	620010	TEST LINK	SIEMENS	CA42155-A126-A1	2
V1	800027-1	DISPLAY 18 _{mm} x 8½ DIGIT		SEE DRG	1
V2	800028-1	DISPLAY V.F. DOT MATRIX		SEE DRG	1
1	410293-D	PCB			1
2	450518-1	DISPLAY SPACER			4
3	605059	8 WAY DIL SOCKET			2
4	605060	14 WAY DIL SOCKET			3
5	605061	16 WAY DIL SOCKET			2
6	605062	18 WAY DIL SOCKET			13
7	605070	20 WAY DIL SOCKET			1
8	611007	M3x6 _{mm} POZICK STEEL	ZN PL.		4
9	630024	STEATITE BEAD 16SWG	PARK ROYAL PORCELAIN	N92	2
10	630243	GLASS BEAD	MANSOL (PREFORMS) LTD.	B53638/3	18
11	900042	ADHESIVE ACRYLIC TOUGHENED	PERMABOND	F246/No 5 KIT	A/R
12	590004	SLEEVE Ø1.0 PTFE	HELLERMANN	FE10	A/R
13	450619-1	DISPLAY BOARD GUARD SCRUB			1
14	611004	M3x6 _{mm} POZIPAN STEEL	ZN PL.		1
15	613005	M3 INT SHAKEPROOF			1
16	615002	M3 NUT FULL STEEL			1

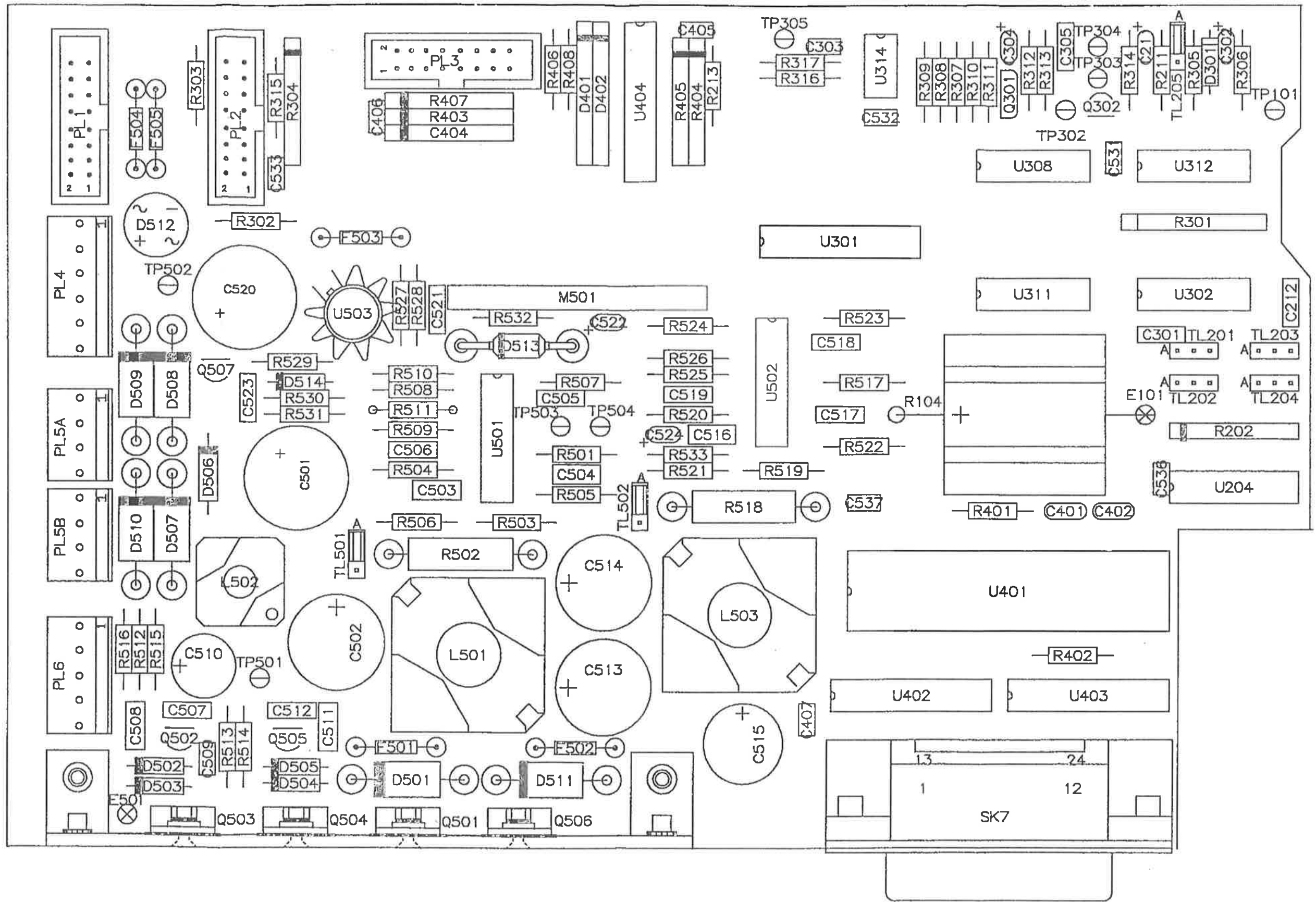
NOTES.

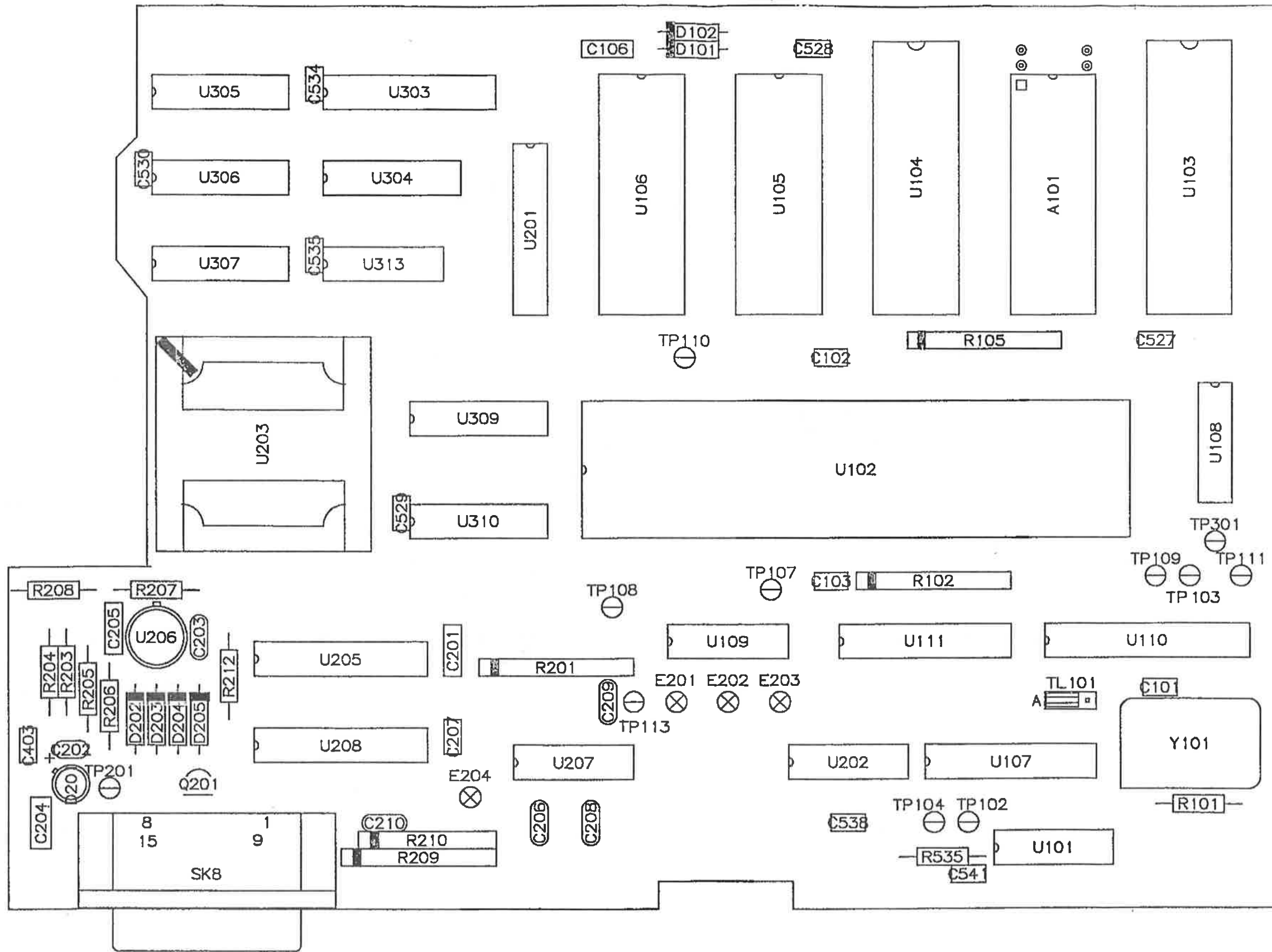
SEE SHEET 2 FOR LATEST ISSUE

REV	DATE	BY	CHKD	DATE	BY	CHKD	DATE	BY	CHKD	DATE	BY	CHKD	DATE	BY	CHKD

DATE	datron ELECTRONIC LTD	
DRAWN	TITLE	
CHECKED	1281 DISPLAY PCB. ASSY.	
APPROVED	DRAWING NUMBER	SHEET
DATE	400739	5 OF 5







DIGITAL ASSEMBLY (right-hand - expanded)

Drawing No. DA400901 Sheet 3 of 3

1271
datron
 WAVETEK

© Datron Instruments 1989

MOUNT U503 ON TDS PAD.

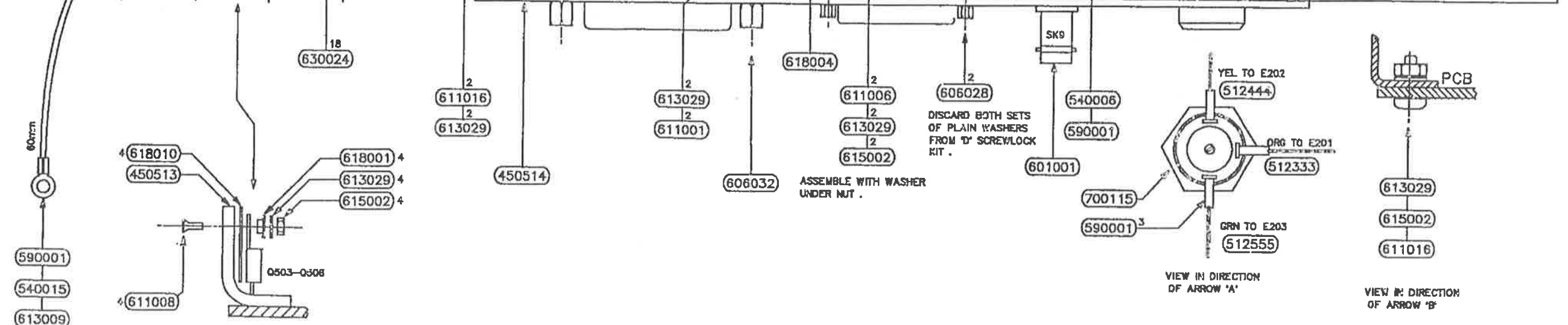
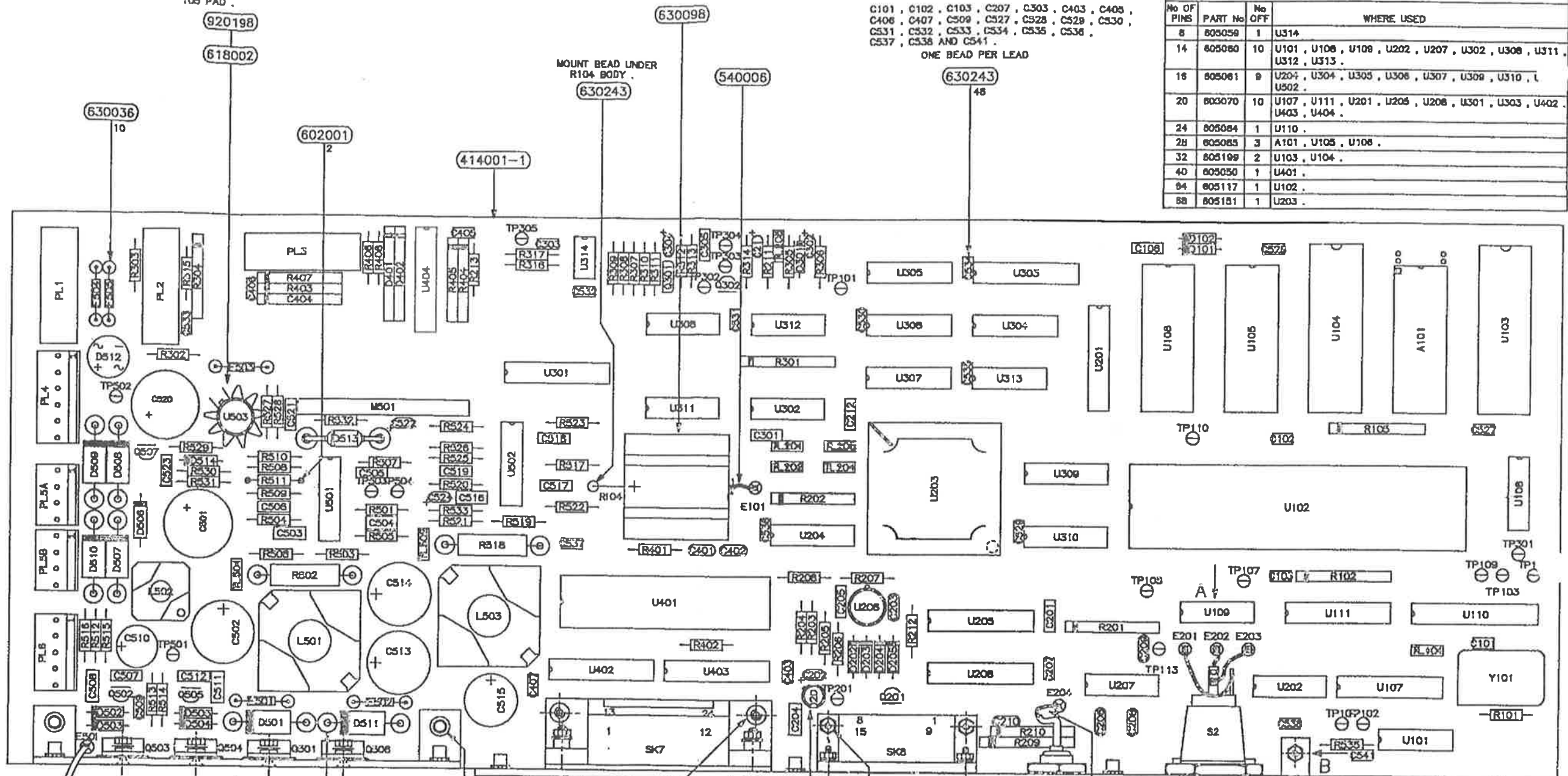
920198

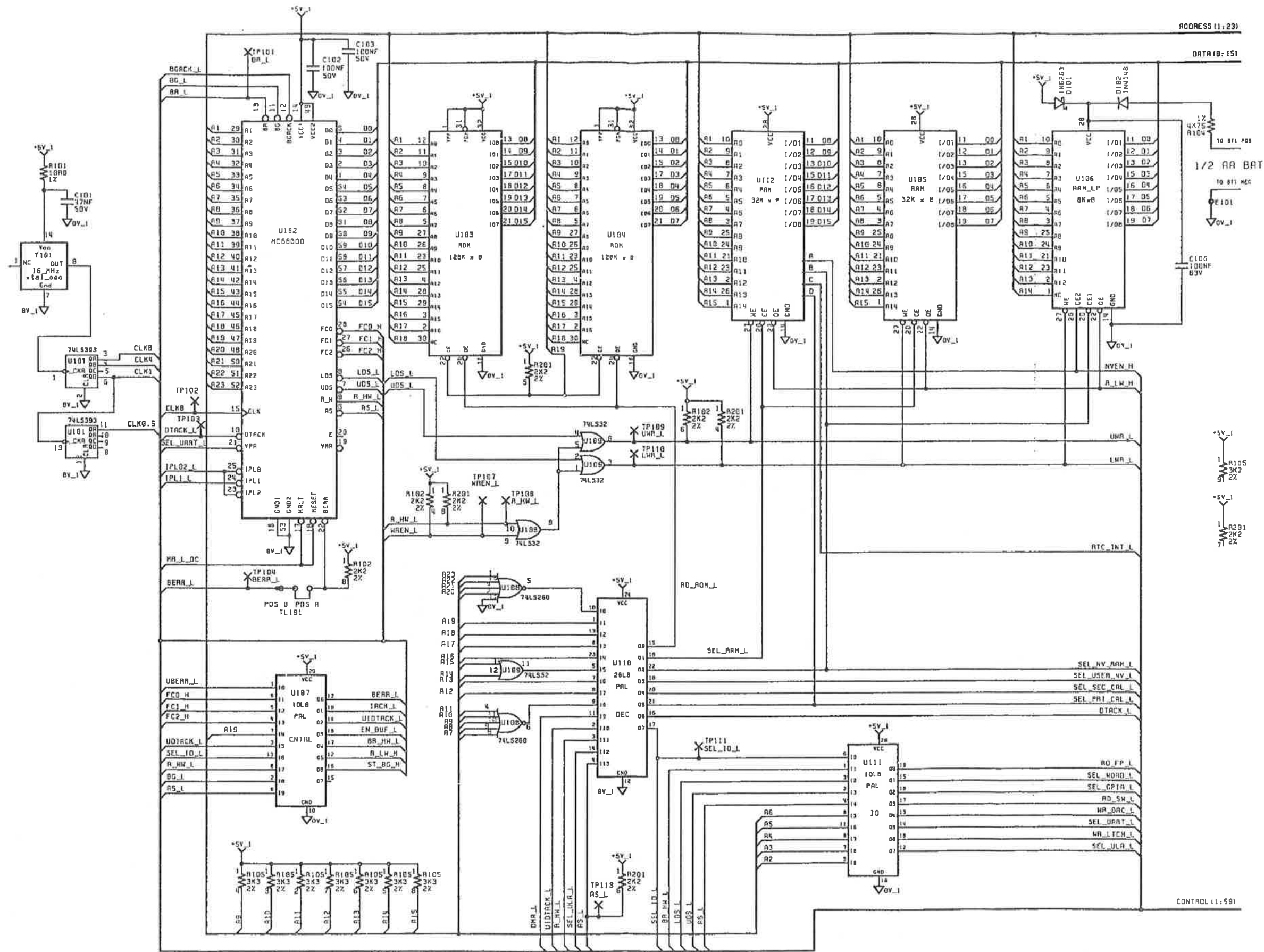
618002

C101, C102, C103, C207, C303, C403, C405, C406, C407, C509, C527, C528, C529, C530, C531, C532, C533, C534, C535, C536, C537, C538 AND C541.

ONE BEAD PER LEAD

MOUNTING I CS			
No OF PINS	PART No	No OFF	WHERE USED
8	805058	1	U314
14	805060	10	U101, U108, U109, U202, U207, U302, U306, U311, U312, U313.
16	805061	9	U204, U304, U305, U306, U307, U309, U310, U312, U313.
20	803070	10	U107, U111, U201, U205, U208, U301, U303, U402, U403, U404.
24	805084	1	U110.
28	805085	3	A101, U105, U106.
32	805199	2	U103, U104.
40	805050	1	U401.
84	805117	1	U102.
88	805151	1	U203.

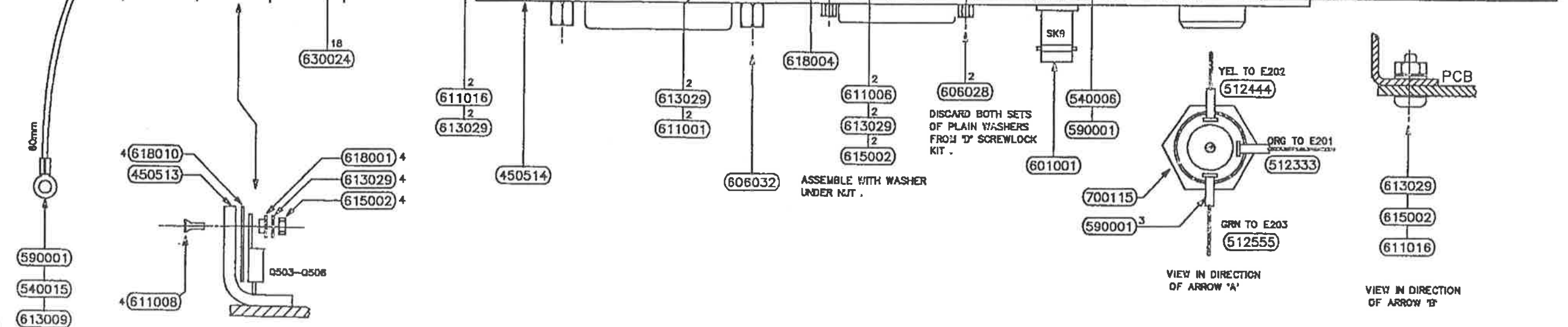
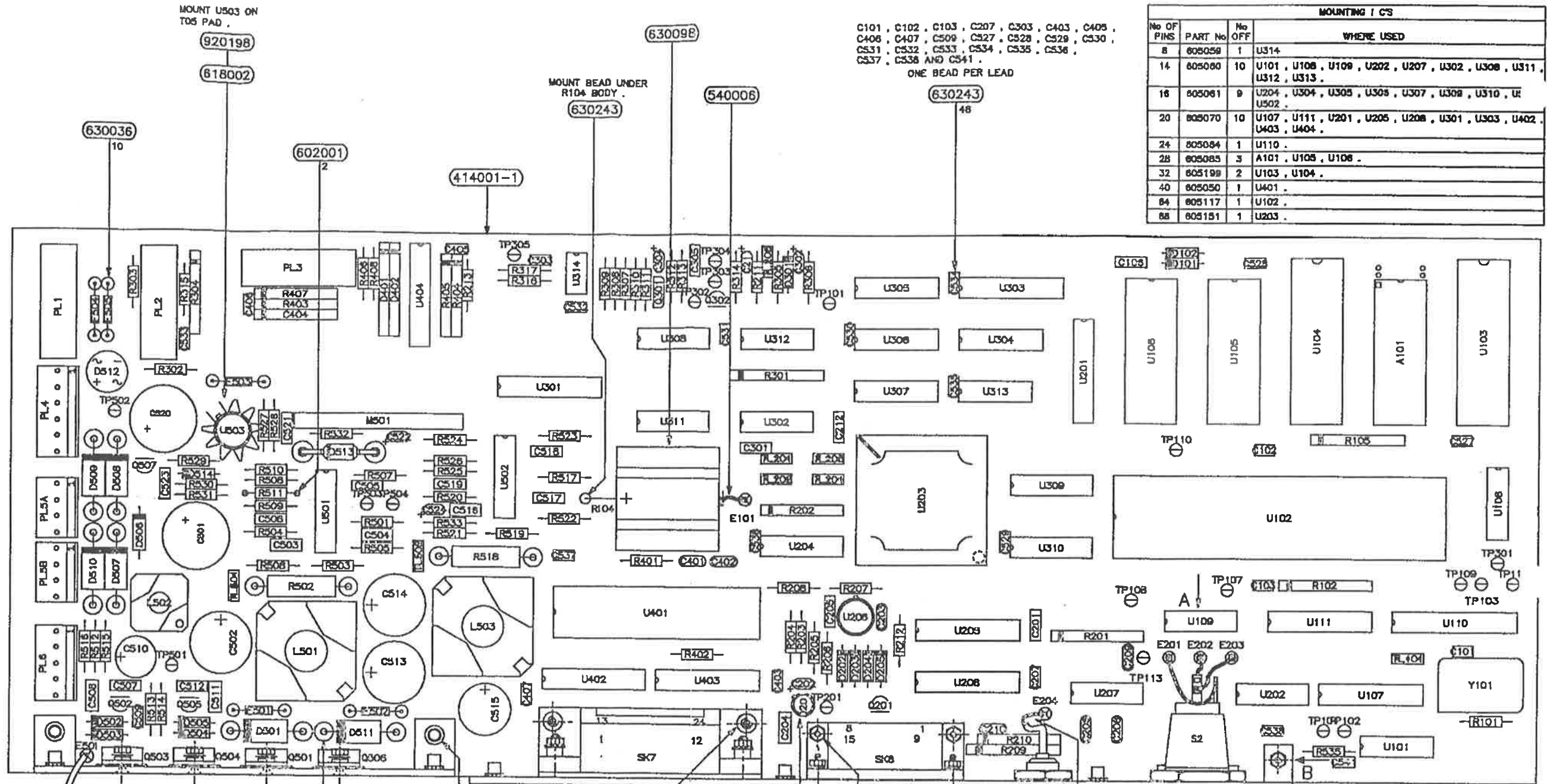




MOUNT U503 ON T05 PAD.

C101, C102, C103, C207, C303, C403, C405, C406, C407, C509, C527, C528, C529, C530, C531, C532, C533, C534, C535, C536, C537, C538 AND C541.
ONE BEAD PER LEAD

MOUNTING / CS			
No OF PINS	PART No	No OFF	WHERE USED
8	605058	1	U314
14	605060	10	U101, U106, U109, U202, U207, U302, U308, U311, U312, U313
16	605061	9	U204, U304, U305, U306, U307, U308, U310, U312, U313
20	605070	10	U107, U111, U201, U205, U208, U301, U303, U402, U403, U404
24	605084	1	U110
28	605085	3	A101, U105, U106
32	605199	2	U103, U104
40	605050	1	U401
64	605117	1	U102
68	605151	1	U203



© Datron Instruments 1989

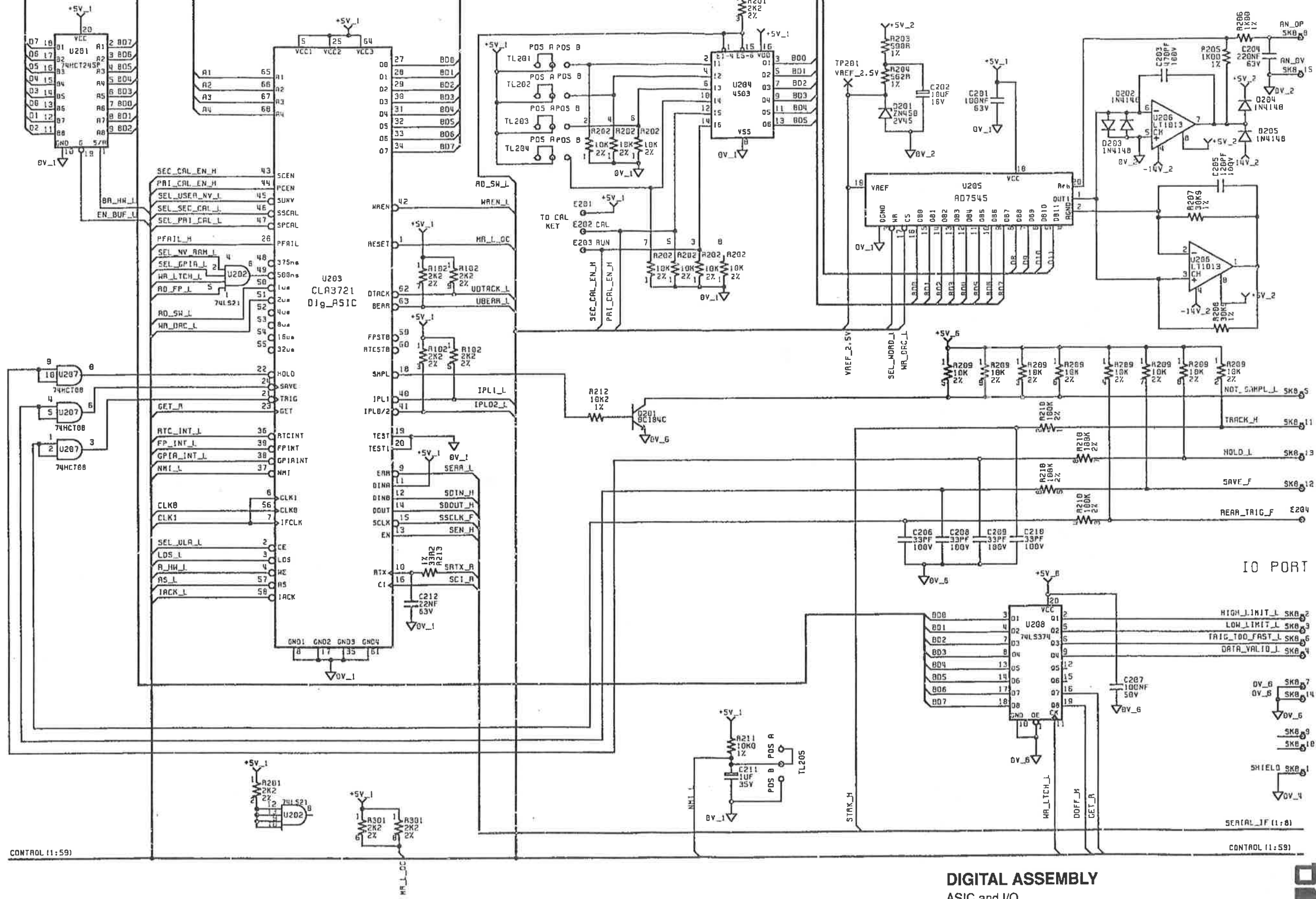
DIGITAL ASSEMBLY

Drawing No. DA400901 Sheet 1 of 3

N.B. expanded versions are on Sheets 2 and 3 (page 11.4-1)

ADDRESS (1:23)
DATA (3:15)

ADDRESS (1:23)
DATA (3:15)
BUFFERED_DATA (6:7)



CONTROL (1:59)

CONTROL (1:59)

DIGITAL ASSEMBLY
ASIC and I/O

Drawing No. DC400901 Sheet 2 of 5



© Datron Instruments 1989

1271

MOUNT U503 ON T05 PAD.

920198

618002

630036
10

602001
2

414001-1

MOUNT BEAD UNDER R104 BODY.

630243

630098

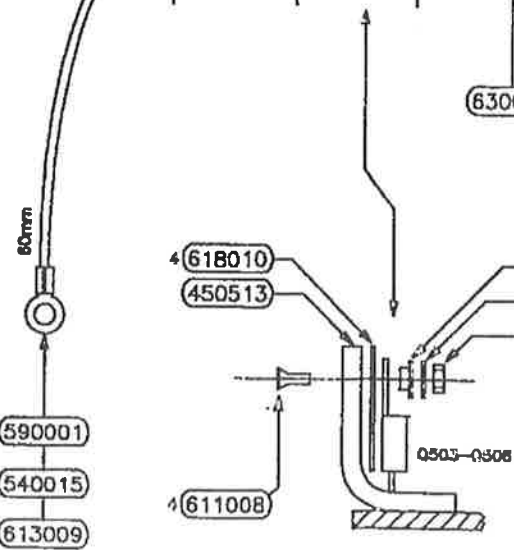
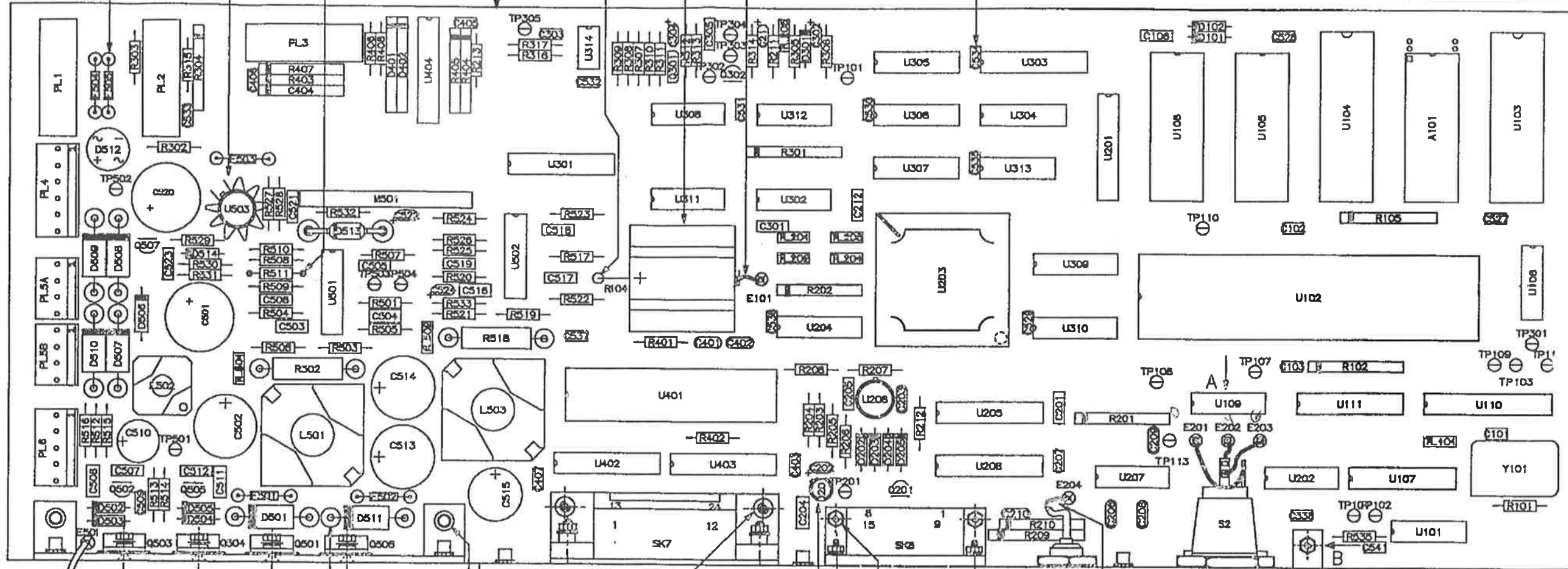
540006

C101, C102, C103, C207, C303, C403, C405, C408, C407, C509, C527, C528, C529, C530, C531, C532, C533, C534, C536, C538, C537, C538 AND C541.

ONE BEAD PER LEAD

630243

MOUNTING C'S			
No OF PINS	PART No	No OFF	WHERE USED
8	605058	1	U314
14	605060	10	U101, U108, U109, U202, U207, U302, U308, U311, U312, U313.
16	605061	8	U204, U304, U305, U306, U307, U309, U310, U302.
20	605070	10	U107, U111, U201, U205, U208, U301, U303, U402, U403, U404.
24	605084	1	U110.
28	605085	3	A101, U105, U108.
32	605199	2	U103, U104.
40	605050	1	U401.
64	605117	1	U102.
88	605151	1	U203.



DISCARD BOTH SETS OF PLAIN WASHERS FROM 'D' SCREWLOCK KIT.

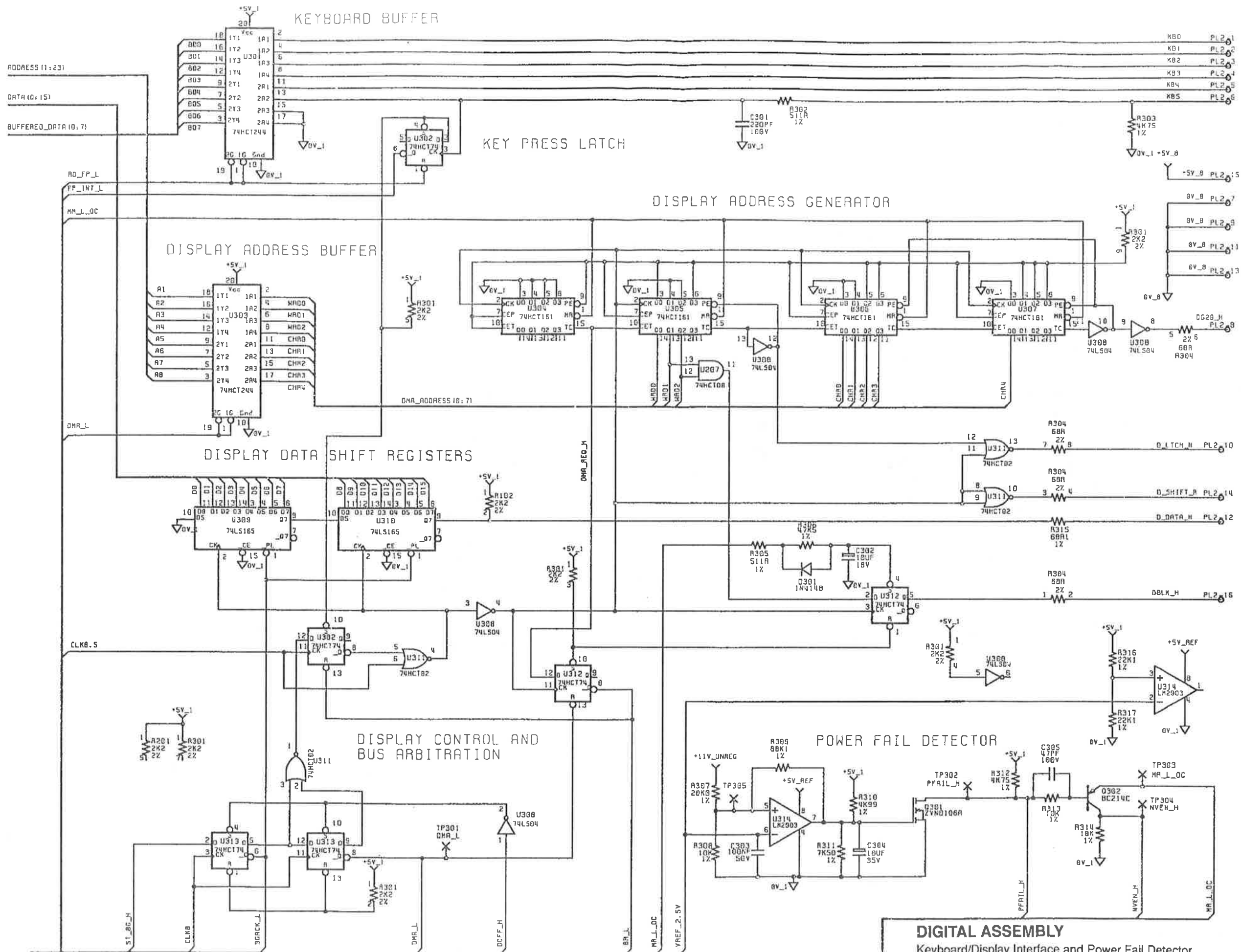
ASSEMBLE WITH WASHER UNDER NUT.

VIEW IN DIRECTION OF ARROW 'A'

VIEW IN DIRECTION OF ARROW 'B'

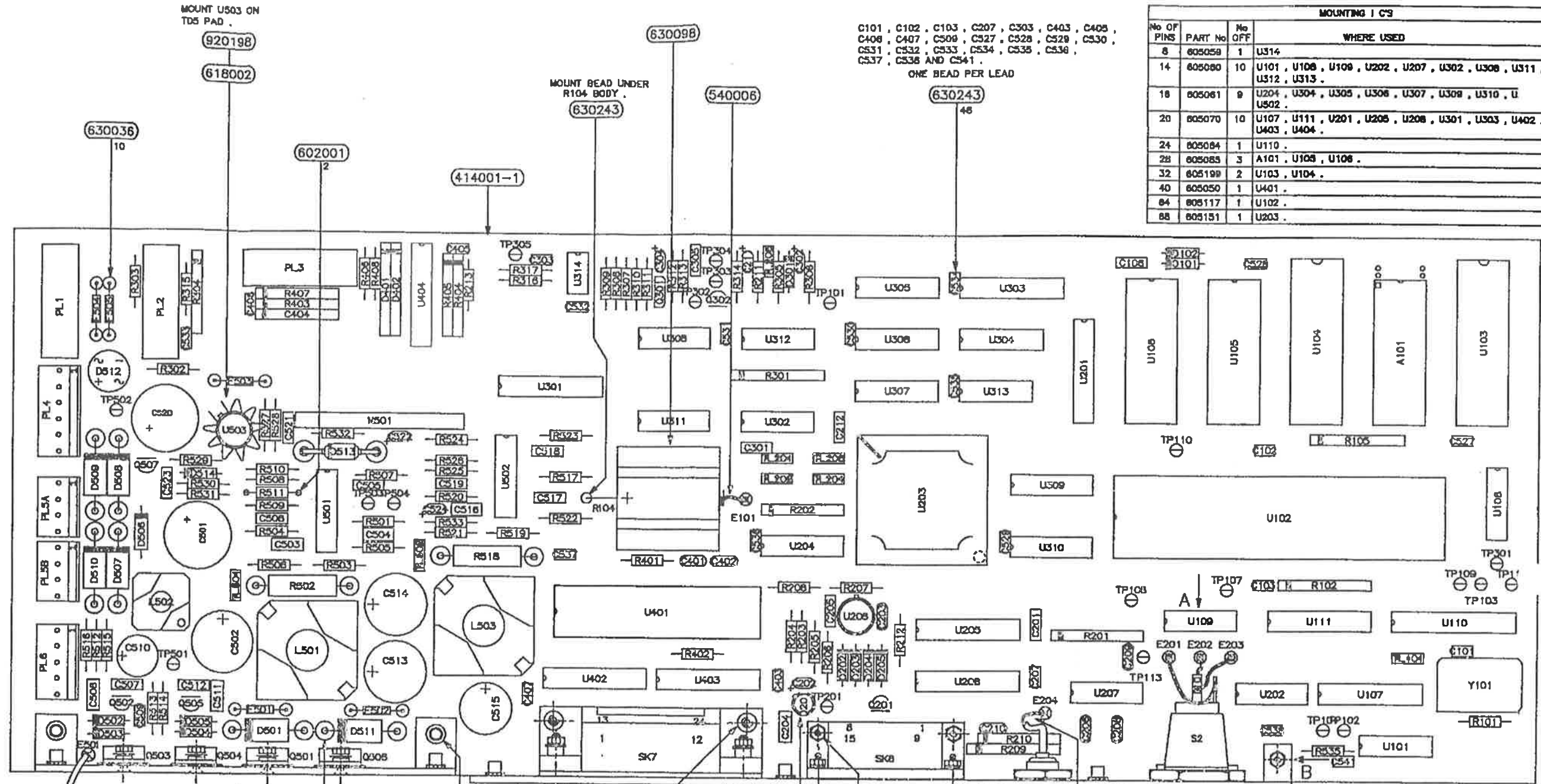


© Datron Instruments 1989



TO DISPLAY PCB 460739

DIGITAL ASSEMBLY
 Keyboard/Display Interface and Power Fail Detector
 Drawing No. DC400901 Sheet 3 of 5

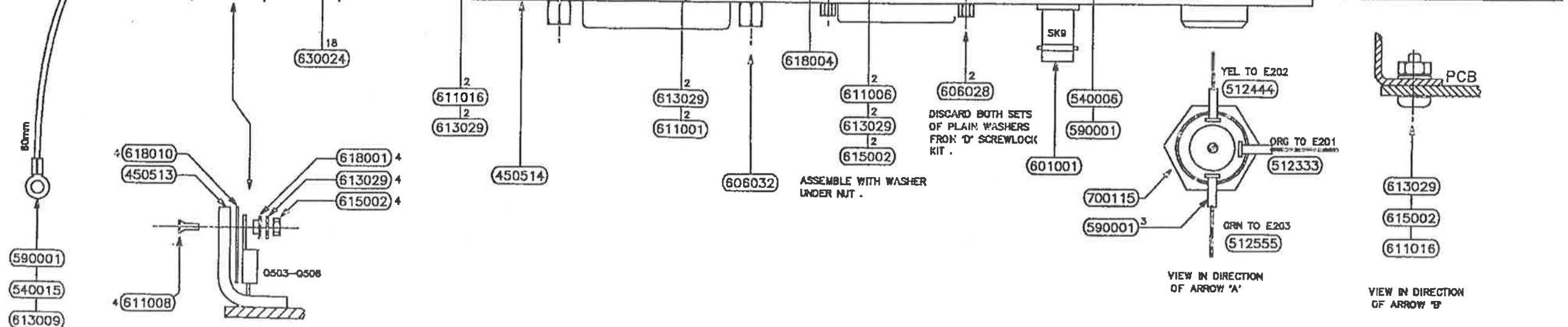


MOUNTING / CS			
No OF PINS	PART No	No OFF	WHERE USED
8	605058	1	U314
14	605060	10	U101, U106, U108, U202, U207, U302, U308, U311, U312, U313.
18	605061	9	U204, U304, U305, U306, U307, U309, U310, U314, U315.
20	605070	10	U107, U111, U201, U206, U208, U301, U303, U402, U403, U404.
24	605084	1	U110.
28	605085	3	A101, U109, U108.
32	605199	2	U103, U104.
40	605050	1	U401.
64	605117	1	U102.
88	605151	1	U203.

C101, C102, C103, C207, C303, C403, C405, C408, C407, C509, C527, C528, C529, C530, C531, C532, C533, C534, C535, C536, C537, C538 AND C541.
ONE BEAD PER LEAD

MOUNT U503 ON TD5 PAD.

MOUNT BEAD UNDER R104 BODY.

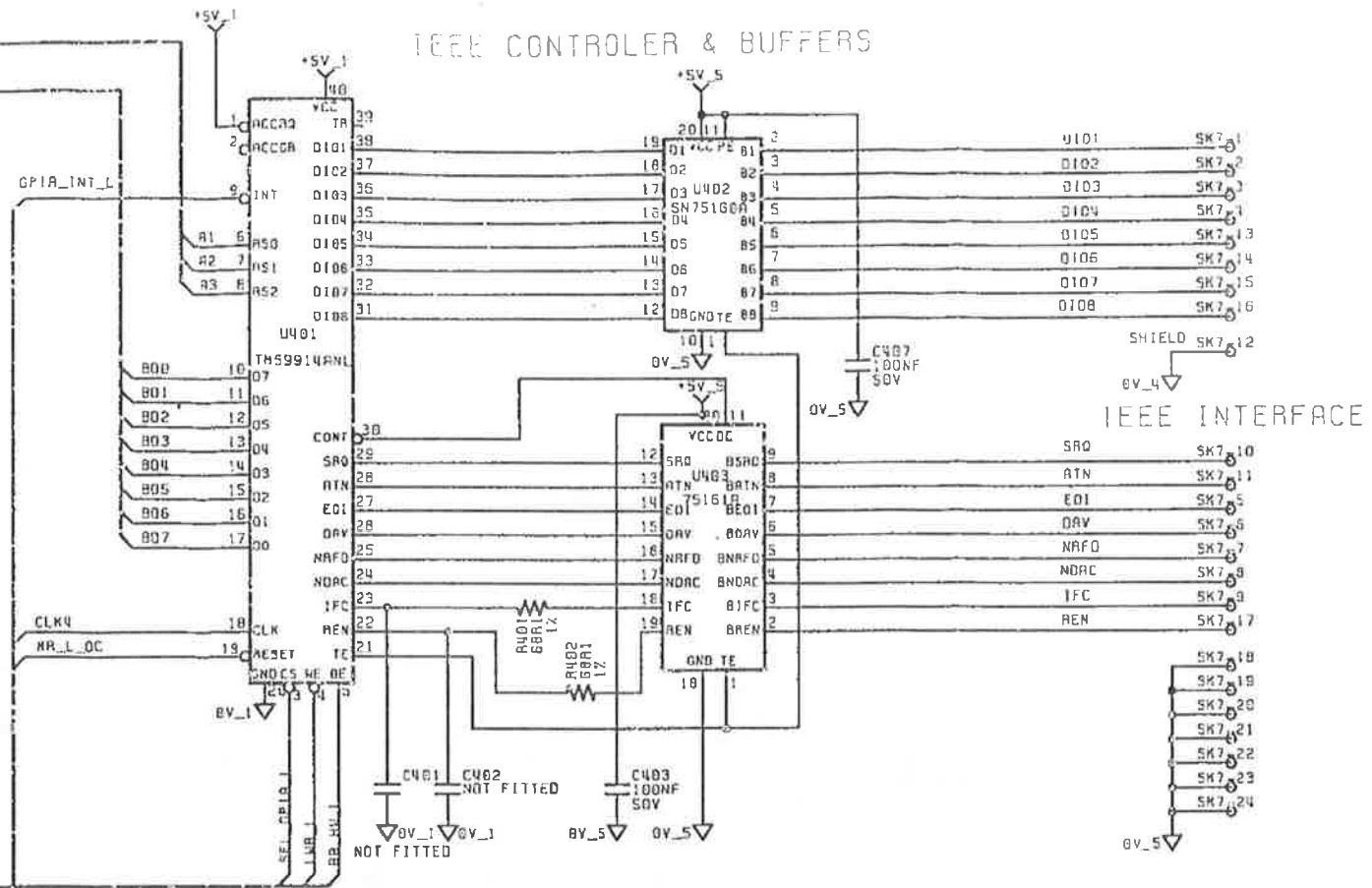


© Datron Instruments 1989

ADDRESS (1:23)

BUFFERED_DATA (0:7)

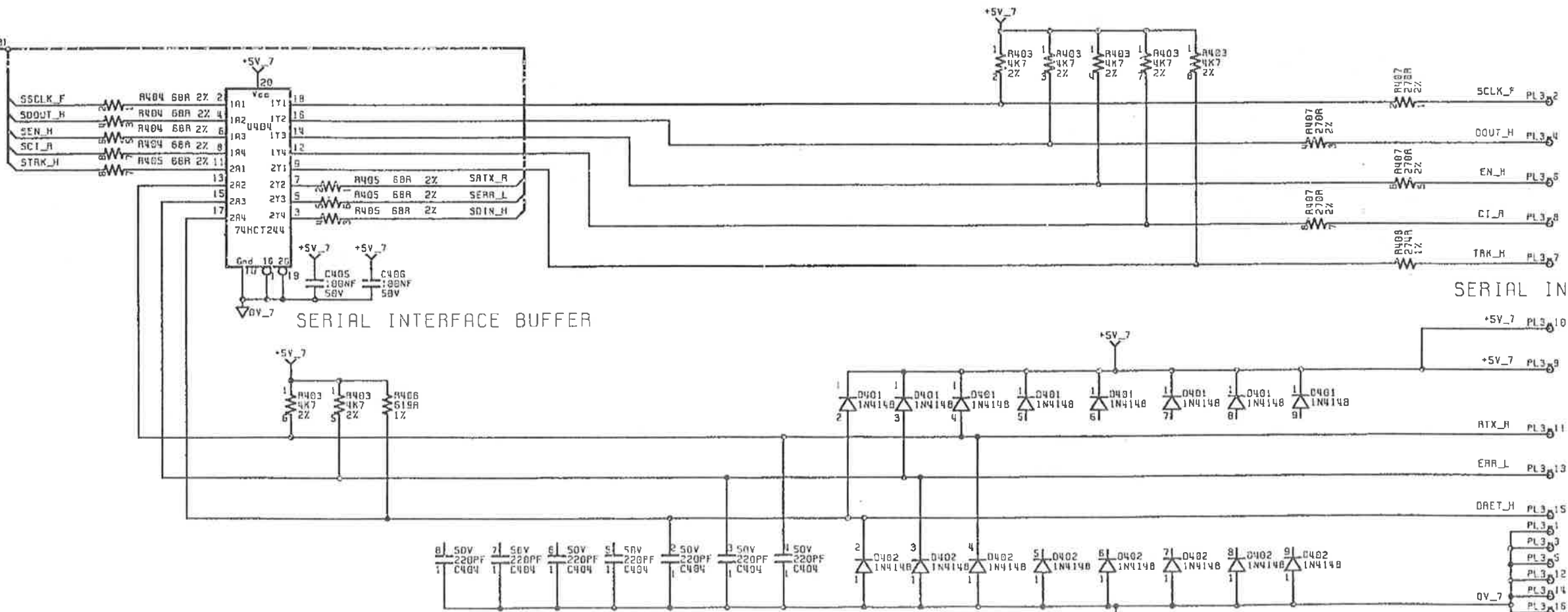
IEEE CONTROLLER & BUFFERS



IEEE INTERFACE

CONTROL (1:59)

SERIAL_IF (1:8)



SERIAL INTERFACE BUFFER

SERIAL INTERFACE

DIGITAL ASSEMBLY

IEEE Interface and Serial Interface

Drawing No. DC400901 Sheet 4 of 5

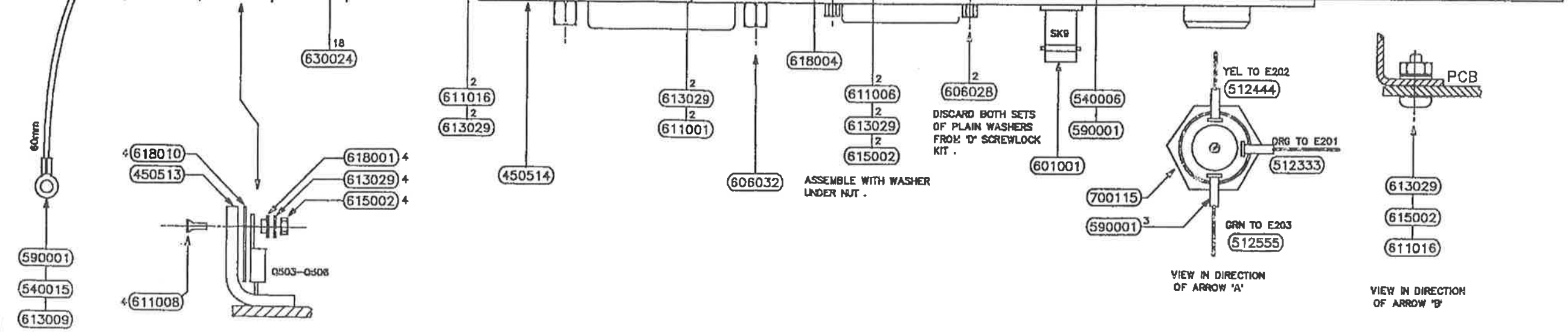
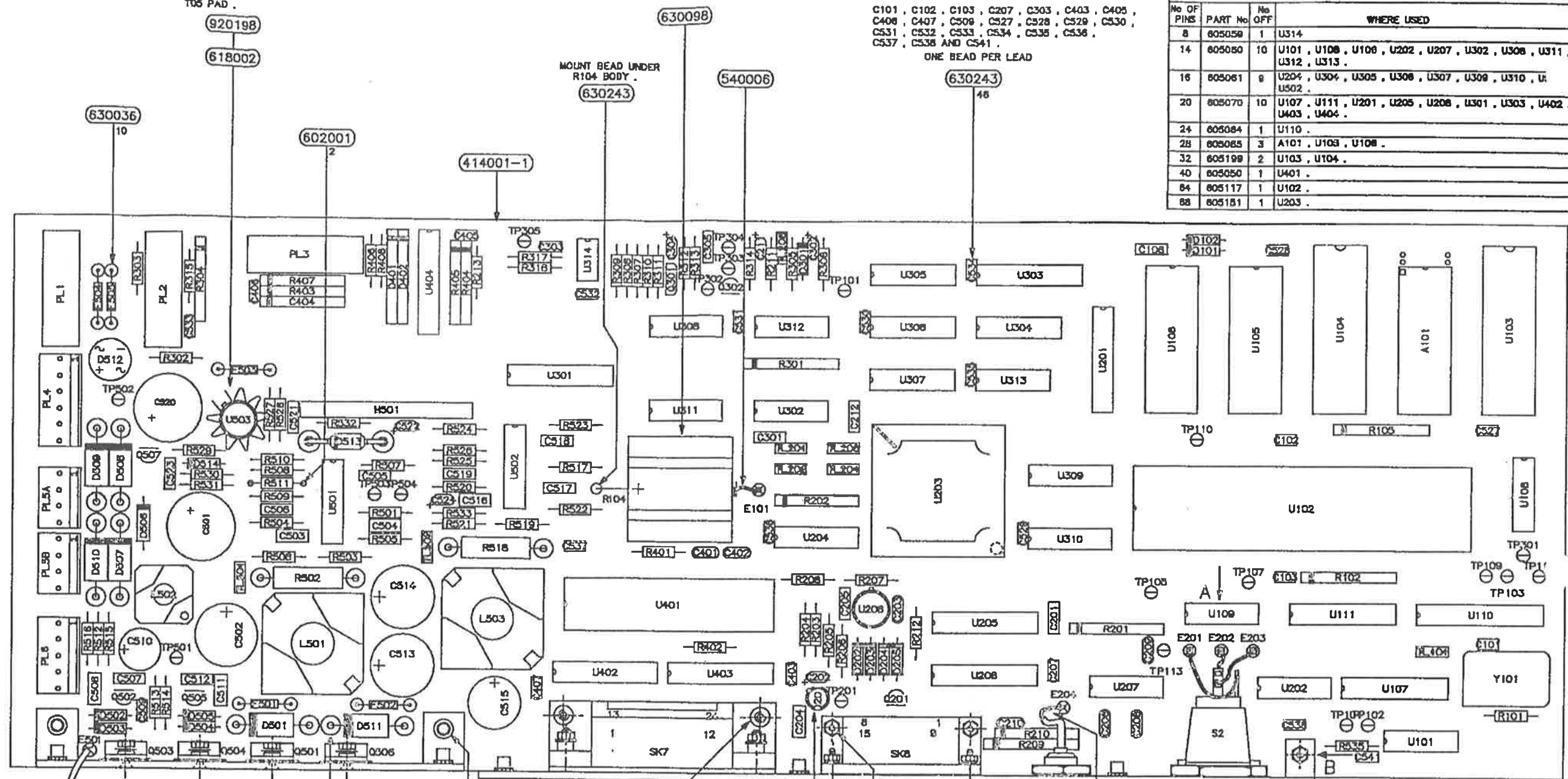


© Datron Instruments 1989

MOUNT U503 ON T05 PAD.

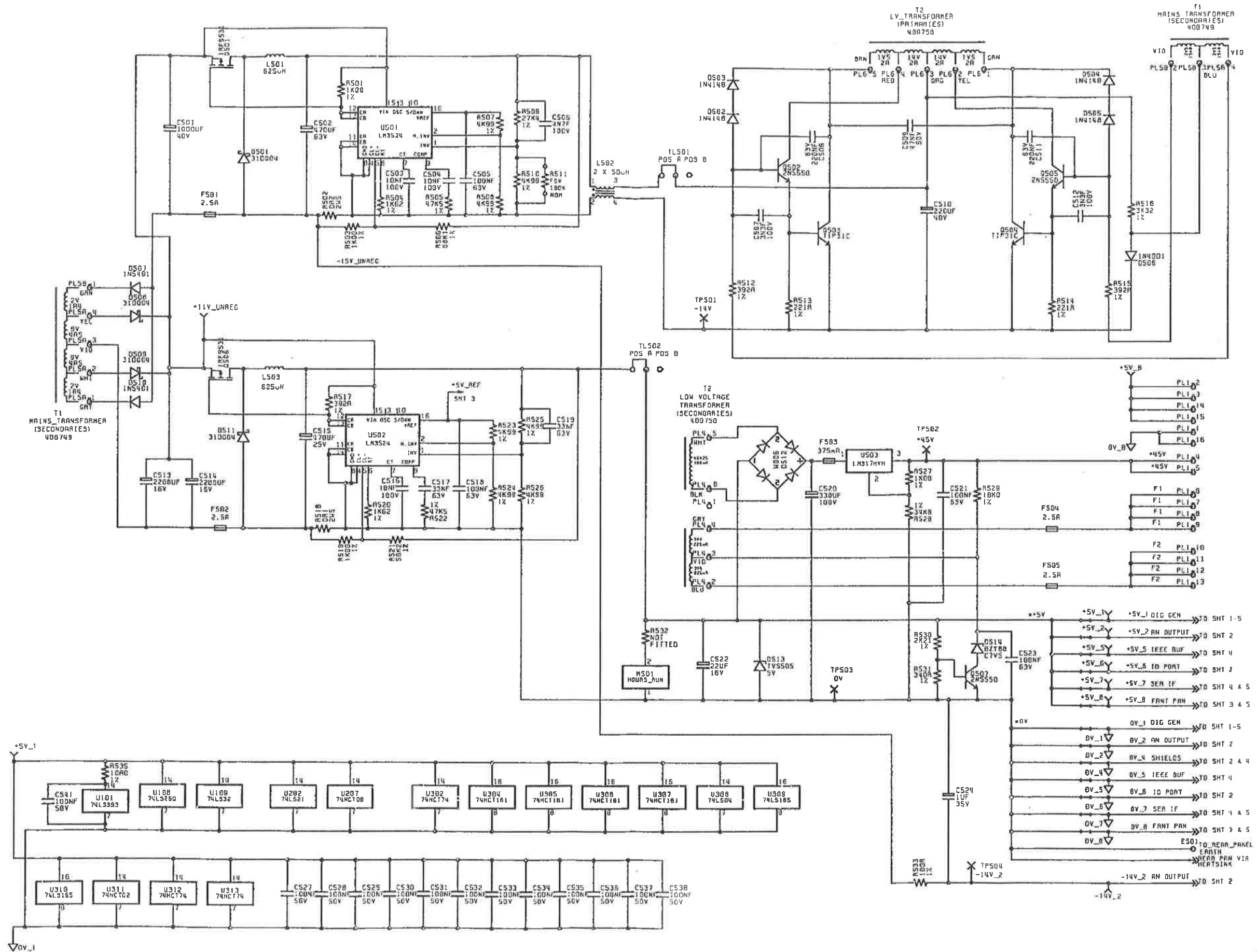
C101, C102, C103, C207, C303, C403, C405, C408, C407, C509, C527, C528, C529, C530, C531, C532, C533, C534, C535, C536, C537, C538 AND C541.
ONE BEAD PER LEAD

MOUNTING / CS			
No OF PINS	PART No	No OFF	WHERE USED
8	605050	1	U314
14	605050	10	U101, U108, U109, U202, U207, U302, U308, U311, U312, U313.
16	605061	8	U204, U304, U305, U308, U307, U309, U310, U312, U313.
20	605070	10	U107, U111, U201, U205, U208, U301, U303, U402, U403, U404.
24	605084	1	U110.
28	605085	3	A101, U103, U108.
32	605199	2	U103, U104.
40	605050	1	U401.
64	605117	1	U102.
88	605181	1	U203.



© Datron Instruments 1989

DIGITAL ASSEMBLY
 Drawing No. DA400901 Sheet 1 of 3
 N.B. expanded versions are on Sheets 2 and 3 (page 11.4-1)



DIGITAL ASSEMBLY

Power Supplies

Drawing No. DC400901 Sheet 5 of 5



© Datron Instruments 1989



DESIG	PART NO	DESCRIPTION	PRINC MANUF	MANUF PART NUMBER	CLASS	UH	QUANTITY	CHANGES
PL5A	604042	PLUG PCB 4 WAY .156" GD PL	MOLEX	09-72-2041	EA		2	
PL5B	604042	PLUG PCB 4 WAY .156" GD PL	MOLEX	09-72-2041	EA		-	
SK7	605180	SOCKET 24-WAY ICEE SCREENED	AMP	553811-2	EA		1	
SK8	605189	SOCKET PCB 15 WAY D	AMP	1648C1-2	EA		1	
E101	620006	SOLDER TURRET	HARWIN	H9001-01	EA		6	
E201	620006	SOLDER TURRET	HARWIN	H9001-01	EA		-	
E202	620006	SOLDER TURRET	HARWIN	H9001-01	EA		-	
E204	620006	SOLDER TURRET	HARWIN	H9001-01	EA		-	
E501	620006	SOLDER TURRET	HARWIN	H9001-01	EA		-	
TL101	604046	PLUG PCB 3-WAY .1"	MOLEX	22-10-2031	EA		8	
TL201	604046	PLUG PCB 3-WAY .1"	MOLEX	22-10-2031	EA		-	
TL202	604046	PLUG PCB 3-WAY .1"	MOLEX	22-10-2031	EA		-	
TL203	604046	PLUG PCB 3-WAY .1"	MOLEX	22-10-2031	EA		-	
TL204	604046	PLUG PCB 3-WAY .1"	MOLEX	22-10-2031	EA		-	
TL205	604046	PLUG PCB 3-WAY .1"	MOLEX	22-10-2031	EA		-	
TL501	604046	PLUG PCB 3-WAY .1"	MOLEX	22-10-2031	EA		-	
TL502	604046	PLUG PCB 3-WAY .1"	MOLEX	22-10-2031	EA		-	
TP101	620007	TEST POINT TERMINAL	MICROVAR	TYPE C30	EA		20	
TP102	620007	TEST POINT TERMINAL	MICROVAR	TYPE C30	EA		-	
TP103	620007	TEST POINT TERMINAL	MICROVAR	TYPE C30	EA		-	
TP104	620007	TEST POINT TERMINAL	MICROVAR	TYPE C30	EA		-	
TP107	620007	TEST POINT TERMINAL	MICROVAR	TYPE C30	EA		-	
TP108	620007	TEST POINT TERMINAL	MICROVAR	TYPE C30	EA		-	
TP109	620007	TEST POINT TERMINAL	MICROVAR	TYPE C30	EA		-	
TP110	620007	TEST POINT TERMINAL	MICROVAR	TYPE C30	EA		-	
TP111	620007	TEST POINT TERMINAL	MICROVAR	TYPE C30	EA		-	
TP113	620007	TEST POINT TERMINAL	MICROVAR	TYPE C30	EA		-	
TP201	620007	TEST POINT TERMINAL	MICROVAR	TYPE C30	EA		-	
TP301	620007	TEST POINT TERMINAL	MICROVAR	TYPE C30	EA		-	
TP302	620007	TEST POINT TERMINAL	MICROVAR	TYPE C30	EA		-	
TP303	620007	TEST POINT TERMINAL	MICROVAR	TYPE C30	EA		-	
TP304	620007	TEST POINT TERMINAL	MICROVAR	TYPE C30	EA		-	
TP305	620007	TEST POINT TERMINAL	MICROVAR	TYPE C30	EA		-	
TP501	620007	TEST POINT TERMINAL	MICROVAR	TYPE C30	EA		-	
TP502	620007	TEST POINT TERMINAL	MICROVAR	TYPE C30	EA		-	
TP503	620007	TEST POINT TERMINAL	MICROVAR	TYPE C30	EA		-	
TP504	620007	TEST POINT TERMINAL	MICROVAR	TYPE C30	EA		-	
Y101	800035	CRYSTAL OSC 16MHz	IDO	10X0-100-16MHz	EA		1	
F501	920125	FUSE 2.5 125V 7mm	LITTLEFUSE	275 02.5	EA		4	
F502	920125	FUSE 2.5 125V 7mm	LITTLEFUSE	275 02.5	EA		-	
F503	920124	FUSE 175MA 125V 7MM	LITTLEFUSE	275 375	EA		1	
F504	920125	FUSE 2.5 125V 7mm	LITTLEFUSE	275 02.5	EA		-	
F505	920125	FUSE 2.5 125V 7mm	LITTLEFUSE	275 02.5	EA		-	
	414001-1	PCB DIGITAL 1281		SEE DRG	EA		1	


DESIG	PART NO	DESCRIPTION	PRINC MANUF	MANUF PART NUMBER	CLASS	UH	QUANTITY	CHANGES
	450513-1	HEATSINK DIG 1281		SEE DRG	EA		1	
	450514-1	CONN MOUNTING BRACKET DIG 1281		SEE DRG	EA		1	
	512333	WIRE 7/-2 PTFE 1KV ORANGE	BSG210	TYPE C	AR		1	
	512444	WIRE 7/-2 PTFE 1KV YEL	BSG210	TYPE C	AR		1	
	512555	WIRE 7/-2 PTFE 1KV GRN	BSG210	TYPE C	AR		1	
	540006	WIRE 1/-4 BLACK PTFE 250V	BSG210	TYPE A	AR		1	
	540015	WIRE 19/0-2 PTFE 500V GRN/YEL			AR		1	
	590001	SLEEVE NP 1.5 X 20MM BLK	HELLERMANN	H15	EA		5	
	601001	SOCKET BULKHEAD BNC 50 OHMS	GREENPAR	GE350275	EA		1	
	602001	TERMINAL FSV	MOLEX	02-04-5114	EA		2	
	605050	SOCKET PCB 40-WAY DIL	JERMYN	J23-18040	A		EA 1	
	605059	SOCKET PCB 8-WAY DIL	JERMYN	J23-18008	A		EA 1	
	605060	SOCKET PCB 14-WAY DIL	JERMYN	J23-18014	A		EA 10	
	605061	SOCKET PCB 16-WAY DIL	JERMYN	J23-18016	A		EA 9	
	605064	SOCKET PCB 24 WAY DIL	JERMYN	J23-18024	A		EA 1	
	605065	SOCKET PCB 28 WAY DIL	JERMYN	J23-18028	A		EA 3	
	605070	SOCKET PCB 20-WAY DIL	JERMYN	J23-18020	A		EA 10	
	605117	SOCKET PCB 64 WAY DIL	JERMYN	J23-18064	A		EA 1	
	605127	SOCKET LINK 2-WAY .1" BLK	ASSMANN	AKSPL-G	EA		4	
	605151	SOCKET PCB 68 WAY LOC	METHODE (SELWYN)	212-068-001	EA		1	
	605199	SOCKET PCB 32-WAY DIL 0.6P	HARWIN	D2837-01	EA		2	
	606028	"D" SCREW LOCK	CANNON	D20418-2	EA		2	
	606032	HTG KIT ICEE SCR SOCKET	AMP	554808-1	EA		1	
	611001	SCREW 4-40 X 3/8 POZIPAN SZP			EA		2	
	611006	SCREW M3 X 10 POZIPAN SZP			EA		2	
	611008	SCREW M3 X 10 POZICSK SZP			EA		4	
	611016	SCREW M3 X 8 POZIPAN SZP			EA		3	
	613005	WASHER M3 INT SHAKEPROOF			EA		8	
	613009	SOLDER TAG 4 BA BTP			EA		1	
	615002	NUT M3 FULL SZP			EA		7	
	618001	BUSH INSUL. TO220	PHILIP'S	56359C	EA		4	
	618002	PAD MNTG. TO18, 705	JERMYN	10518-004D	EA		1	
	618004	PAD MNTG. TO18	JERMYN	1018-008D	EA		1	
	618010	PAD INSUL. 51L CO220	WARTH	4177-NA-54	EA		4	
	630024	BEAD CERAMIC 16 SMG	PARK ROYAL PORCELAIN	No2	EA		16	
	630036	BEAD CERAMIC 18 SMG	PARK ROYAL PORCELAIN	No1	EA		10	
	630098	CLIP COMPONENT 1.2-7 DIA	RICHCO	KNU-8	EA		1	
	630243	BEAD GLASS 2.4 X C. 8: X 1.8	WANSOL (PREFORMS) LT	W52630/3	EA		47	
	700115	SWITCH 2P 2PCSN KEY	ROBESURE	8017-04-2 KEY H: B50	EA		1	
	920198	HEATSINK TO5	FARNELL	170-066	EA		1	
A	000C0N	NOT FITTED			EA			
B	000C0N	NOT FITTED			EA			
C	000C0N	NOT FITTED			EA			
D	000C0N	NOT FITTED			EA			

DESIG	PART NO	DESCRIPTION	PRINC MANUF	MANUF PART NUMBER	CLASS	UH	QUANTITY	CHANGES
C534	104025	CAP CD 100NF +808-200 50V	SIEMENS	B37449				EA
C535	104025	CAP CD 100NF +808-200 50V	SIEMENS	037445				EA
C536	104025	CAP CD 100NF +808-200 50V	SIEMENS	B37449				EA
C537	104025	CAP LD 100NF +808-200 50V	SIEMENS	B37449				EA
C538	104025	CAP CD 100NF +808-200 50V	SIEMENS	B37449				EA
C541	104025	CAP CD 100NF +808-200 50V	SIEMENS	B37449				EA
D101	200010	DIODE GP 50	H.P.	1N5711	A			EA 1
D102	200001	DIODE GP 75mA 75V	FAIRCHILD	1N4148				EA 10
D201	214012	DIODE 2N 2Y45 20PPH	FERRANTI	2N458				EA 1
D202	200001	DIODE GP 75mA 75V	FAIRCHILD	1N4148				EA
D203	200001	DIODE GP 75mA 75V	FAIRCHILD	1N4148				EA
D204	200001	DIODE GP 75mA 75V	FAIRCHILD	1N4148				EA
D205	200001	DIODE GP 75mA 75V	FAIRCHILD	1N4148				EA
D301	200001	DIODE GP 75mA 75V	FAIRCHILD	1N4148				EA
D401	406695-1	ASSY COM CATHODE DIODE	DATRON	SEE DRG				EA 1
D402	406696-1	ASSY COM ANODE DIODE	DATRON	SEE DRG				EA 1
D501	200027	DIODE SB 3A 40V	INT RECTIFIER	31D004				EA 4
E502	200001	DIODE GP 75mA 75V	FAIRCHILD	1N4148				EA
E503	200001	DIODE GP 75mA 75V	FAIRCHILD	1N4148				EA
E504	200001	DIODE GP 75mA 75V	FAIRCHILD	1N4148				EA
D505	200001	DIODE GP 75mA 75V	FAIRCHILD	1N4148				EA
D506	200002	DIODE GP 1A 50V	FAIRCHILD	1N4001				EA 1
D507	200026	DIODE GP 3A 100V	MOTOROLA	1N5401				EA 2
D508	200027	DIODE SB 3A 40V	INT RECTIFIER	31D004				EA
D509	200027	DIODE SB 3A 40V	INT RECTIFIER	31D004				EA
D510	200026	DIODE GP 3A 100V	MOTOROLA	1N5401				EA
D511	200027	DIODE SB 3A 40V	INT RECTIFIER	31D004				EA
D512	209313	DIODE BR 1A5 600V	MICRO-ELECTRONICS	W006				EA 1
D513	213006	DIODE ZN 5V 5W	UNITRODE	745505				EA 1
D514	210075	DIODE 2N 7V5 400mW	PHILIPS	B2X79C7V5				EA 1
Q201	240013	TRAN NPN TO18	NATIONAL	BC184C/TO18				EA 1
Q301	230081	TRAN MOSFET N-CHAN	FERRANTI	ZVN106A				EA 1
Q302	250008	TRAN PNP TO18	NATIONAL	BC214C/TO18				EA 1
Q501	230085	TRAN MOSFET P-CHAN 60V	SILICONIX	IRP9531	A			EA 2
Q502	240009	TRAN NPN TO18	NATIONAL	MP5L01/2N555C				EA 3
Q503	240034	TRAN NPN	MOTOROLA	TIP31C				EA 2
Q504	240034	TRAN NPN	MOTOROLA	TIP31C				EA
Q505	240009	TRAN NPN TO18	NATIONAL	MP5L01/2N555D				EA
Q506	230085	TRAN MOSFET P-CHAN 60V	SILICONIX	IRP9531	A			EA
Q507	240009	TRAN NPN TO18	NATIONAL	MP5L01/2N555D				EA
H501	00000N	NOT FITTED						EA
U101	270103	IC DIG COUNTER 4BIN DUAL LS	SIGNETICS	74LS393				EA 1
U102	280153	IC DIG MICROPROC 16 BIT	HITACHI	HP8000PB				EA 1
U103	00000N	NOT FITTED						EA
U104	00000N	NOT FITTED						EA

DESIG	PART NO	DESCRIPTION	PRINC MANUF	MANUF PART NUMBER	CLASS	UH	QUANTITY	CHANGES
U105	280174	IC DIG CMOS RAM 37K X 8	FUJITSU	MB84256-12LLP				EA 2
U106	280162	IC DIG CMOS STATIC RAM	TOSHIBA	TCS364PL-1	A			EA 1
U107	400904-A	ASSY PAL 1281 2018 CONTROL		SEE DRG				EA 1
U108	270105	IC DIG MCR5 DUAL LS	SIGNETICS	74LS260N				EA 1
U109	270080	IC DIG OR2 QUAD LS	NATIONAL	DM74LS32N				EA 1
U110	400903-A	ASSY PAL 1281 2018 ADDR DECODE		SEE DRG				EA 1
U111	400904-A	ASSY PAL 1281 1018 IO DECODE		SEE DRG				EA 1
U112	280174	IC DIG CMOS RAM 37K X 8	FUJITSU	MB84256-12LLP				EA
U201	280134	IC DIG TRANS OCT 3S LS	SIGNETICS	PC74HCT245P				EA 1
U202	270051	IC DIG AND4 DUAL LS	NATIONAL	DM74LS21N				EA 1
U203	280130	IC DIG ASIC	PLESSEY	CLA3721				EA 1
U204	280024	IC DIG BUFFER TRI-STATE HEX	MOTOROLA	KC14503BCP				EA 1
U205	280157	IC DIG D-A CONVERTER	ANALOGUE DEVICES	AD7545				EA 1
U206	260088	IC LIN OP AMP PREC.	LINEAR TECHNOLOGY	LT1013CH				EA 1
U207	280159	IC DIG QUAD 2 I/P AND	TEXAS	74 HCT 08				EA 1
U208	270068	IC DIG FLIP FLOP TRI-STATE OCT	NATIONAL	DM74LS374N				EA 1
U301	280137	IC DIG DRIVER OCT 3S HCT	SIGNETICS	PC74HCT244P				EA 3
U302	280160	IC DIG FLIP/FLOP JK DUAL HCT	TEXAS	74HCT74				EA 3
U303	280137	IC DIG DRIVER OCT 3S HCT	SIGNETICS	PC74HCT244P				EA
U304	280161	IC DIG 4 BIT BIN COUNTER	TEXAS	74HCT161				EA 4
U305	280161	IC DIG 4 BIT BIN COUNTER	TEXAS	74HCT161				EA
U306	280161	IC DIG 4 BIT BIN COUNTER	TEXAS	74HCT161				EA
U307	280161	IC DIG 4 BIT BIN COUNTER	TEXAS	74HCT161				EA
U308	270050	IC DIG INV HEX LS	NATIONAL	DM74LS04N				EA 1
U309	270088	IC DIG CONV8 SER/PAR LS	NATIONAL	DM74LS165N				EA 2
U310	270088	IC DIG CONV8 SER/PAR LS	NATIONAL	DM74LS165N				EA
U311	280170	IC DIG QUAD 2 I/P NOR	TEXAS	74HCT02				EA 1
U312	280160	IC DIG FLIP/FLOP JK DUAL HCT	TEXAS	74HCT74				EA
U313	280160	IC DIG FLIP/FLOP JK DUAL HCT	TEXAS	74HCT74				EA
U314	260075	IC LIN V COMP DUAL	NATIONAL	LM2903N				EA 1
U401	280158	IC DIG IEEE CONTROLLER	TEXAS	TMS9914ANL				EA 1
U402	270100	IC DIG IEEE BUS TX/RX	NATIONAL	DS75160AN	A			EA 1
U403	270101	IC DIG TRANSCEIVER IEEE BUS	NATIONAL	DS75161AN				EA 1
U404	280137	IC DIG DRIVER OCT 3S HCT	SIGNETICS	PC74HCT244P	A			EA
U501	260101	IC LIN SW MODE PSU	SGS	UC3524A				EA 2
U502	260101	IC LIN SW MODE PSU	SGS	UC3524A	A			EA
U503	260102	IC LIN REG VAR	NATIONAL	LM317HVH				EA 1
PL1	604076	PLUG PCB 16-WAY .1"X.1" GRID	3M	3599-6002 UN				EA 3
PL2	604076	PLUG PCB 16-WAY .1"X.1" GRID	3M	3599-6002 UN				EA
PL3	604076	PLUG PCB 16-WAY .1"X.1" GRID	3M	3599-6002 UN				EA
PL4	604079	PLUG PCB 6 WAY .156" HEADER	MOLEX	09-72-2061				EA 1
PL6	604078	PLUG PCB 5 WAY .156" HEADER	MOLEX	09-72-2051				EA 1
L501	370029-1	CHOKER 625UH RM10		SEE DRG				EA 2
L502	370028-1	CHOKER INDUCTOR 2 X 50 MH	DATRON	SEE DRG				EA 1
L503	370029-1	CHOKER 625UH RM10		SEE DRG				EA

DESIG	PART NO	DESCRIPTION	PRINC MANUF	MANJP PART NUMBER	CLASS	UM	QUANTITY	CHANGES
R504	011621	RES MF 1K62 1% .12W 50PPH	HOLSWORTHY	H8C	A	EA	2	
R505	014752	RES MF 47K5 1% .12W 50PPH	HOLSWORTHY	H8C	A	EA	-	
R506	016812	RES MF 68K1 1% .12W 50PPH	HOLSWORTHY	H8C	A	EA	-	
R507	014991	RES MF 4K99 1% .12W 50PPH	HOLSWORTHY	H8C	A	EA	-	
R508	014991	RES MF 4K99 1% .12W 50PPH	HOLSWORTHY	H8C	A	EA	-	
R509	012742	RES MF 27K4 1% .12W 50PPH	HOLSWORTHY	H8C	A	EA	1	
R510	014991	RES MF 4K99 1% .12W 50PPH	HOLSWORTHY	H8C	A	EA	-	
R511	00C00F	RES PSY				EA	1	
R512	013920	RES MF 392R 1% .12W 50PPH	HOLSWORTHY	H8C	A	EA	3	
R513	012210	RES MF 221R 1% .12W 50PPH	HOLSWORTHY	H8C	A	EA	2	
R514	012210	RES MF 221R 1% .12W 50PPH	HOLSWORTHY	H8C	A	EA	-	
R515	013920	RES MF 392R 1% .12W 50PPH	HOLSWORTHY	H8C	A	EA	-	
R516	013321	RES MF 3K32 1% .12W 50PPH	HOLSWORTHY	H8C	A	EA	1	
R517	013920	RES MF 392R 1% .12W 50PPH	HOLSWORTHY	H8C	A	EA	-	
R518	008023	RES MM 0R1 10% 2.5W	WELWYN	W21-0R1		EA	1	
R519	011001	RES MF 1K00 1% .12W 50PPH	HOLSWORTHY	H8C	A	EA	-	
R520	011621	RES MF 1K62 1% .12W 50PPH	HOLSWORTHY	H8C	A	EA	-	
R521	015625	RES MF 56K2 1% .12W 50PPH	HOLSWORTHY	H8C	A	EA	1	
R522	014752	RES MF 47K5 1% .12W 50PPH	HOLSWORTHY	H8C	A	EA	-	
R523	014991	RES MF 4K99 1% .12W 50PPH	HOLSWORTHY	H8C	A	EA	-	
R524	014991	RES MF 4K99 1% .12W 50PPH	HOLSWORTHY	H8C	A	EA	-	
R525	014991	RES MF 4K99 1% .12W 50PPH	HOLSWORTHY	H8C	A	EA	-	
R526	014991	RES MF 4K99 1% .12W 50PPH	HOLSWORTHY	H8C	A	EA	-	
R527	011001	RES MF 1K00 1% .12W 50PPH	HOLSWORTHY	H8C	A	EA	-	
R528	013482	RES MF 34K8 1% .12W 50PPH	HOLSWORTHY	H8C	A	EA	1	
R529	011002	RES MF 10K0 1% .12W 50PPH	HOLSWORTHY	H8C	A	EA	-	
R530	012211	RES MF 2K21 1% .12W 50PPH	HOLSWORTHY	H8C	A	EA	1	
R531	013400	RES MF 340R 1% .12W 50PPH	HOLSWORTHY	H8C	A	EA	1	
R532	00C00H	RES FITED				EA	10	
R533	011000	RES MF 100R 1% .12W 50PPH	HOLSWORTHY	H8C	A	EA	1	
R535	011008	RES MF 10R0 1% .12W 50PPH	HOLSWORTHY	H8C	A	EA	-	
C101	104026	CAP CD 47NF +50%-20% 50V	SIEMENS	B37449		EA	2	
C102	104025	CAP CD 100NF +80%-20% 50V	SIEMENS	B37449		EA	21	
C103	104025	CAP CD 100NF +60%-20% 50V	SIEMENS	B37449		EA	6	
C106	110042	CAP PE 100PF 20% 63V	WIMA	MKS2		EA	6	
C201	110042	CAP PE 100NF 20% 63V	WIMA	MKS2		EA	-	
C202	150002	CAP DT 10UF 20% 16V	AVX	TAP10M16P	A	EA	2	
C203	100471	CAP CP 470PF 10% 100V	PHILIPS	2222 630 19471		EA	1	
C204	110035	CAP PE 220PF 20% 63V	WIMA	MKS2		EA	3	
C205	100121	CAP CP 120PF 2% 100V	PHILIPS	2222 683 34121		EA	1	
C206	100330	CAP CP 33PF 2% 100V	PHILIPS	2222 683 34339		EA	4	
C207	104025	CAP CD 100NF +80%-20% 50V	SIEMENS	B37449		EA	-	
C208	100330	CAP CP 33PF 2% 100V	PHILIPS	2222 683 34339		EA	-	
C209	100330	CAP CP 33PF 2% 100V	PHILIPS	2222 683 34339		EA	-	
C210	100330	CAP CP 33PF 2% 100V	PHILIPS	2222 683 34339		EA	-	

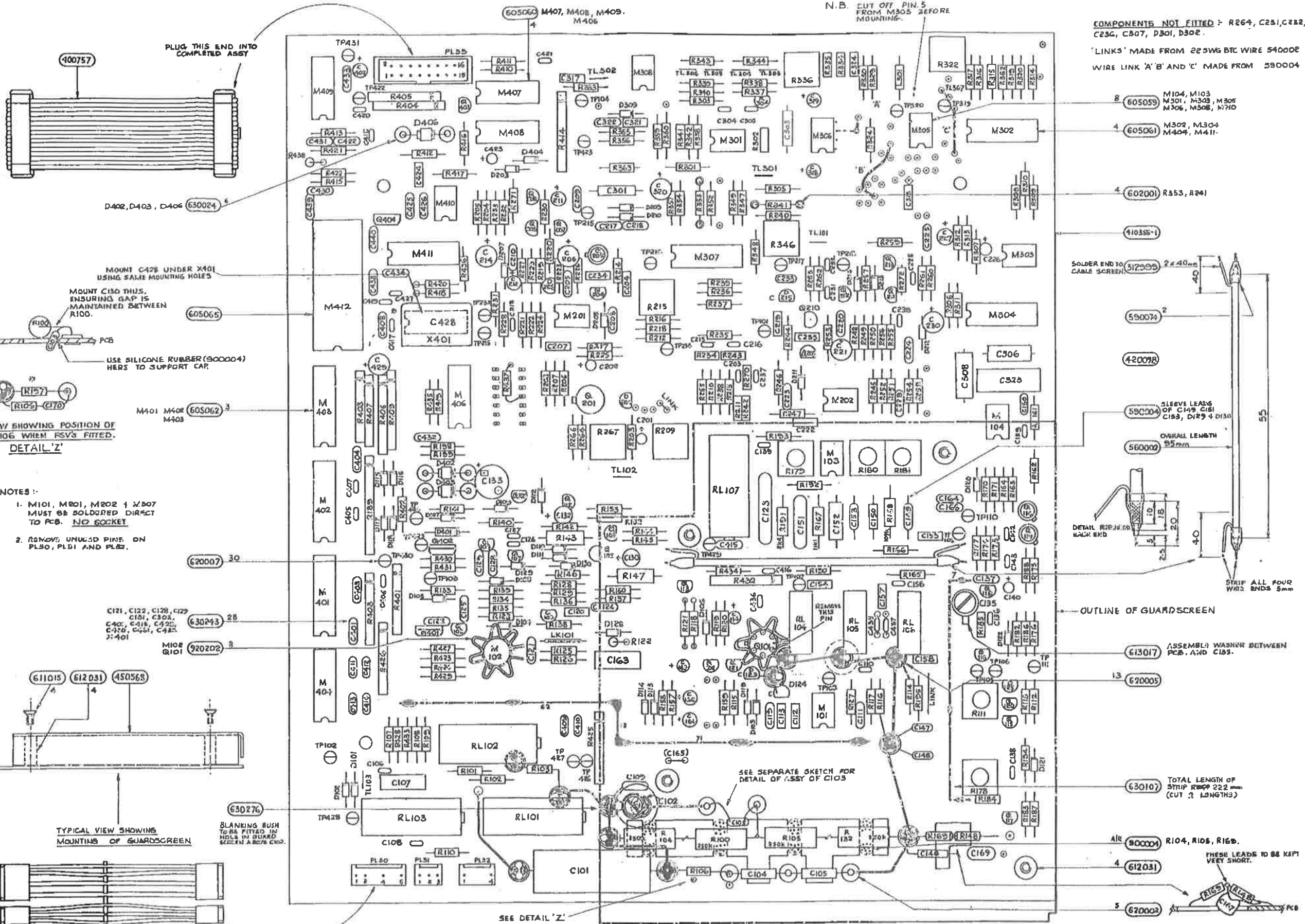
DESIG	PART NO	DESCRIPTION	PRINC MANUF	MANUF PART NUMBER	CLASS	UM	QUANTITY	CHANGES
C211	150016	CAP DT 1UF 20% 35V	AVX	TAP10M35F	A	EA	2	
C212	110050	CAP PE 22NF 10% 63V	WIMA	MKS1		EA	1	
C301	100221	CAP CP 220PF 2% 100V	PHILIPS	2222 683 58221		EA	1	
C302	150002	CAP DT 10UF 20% 16V	AVX	TAP10M16P	A	EA	-	
C303	104025	CAP CD 100NF +80%-20% 50V	SIEMENS	B37449		EA	-	
C304	150015	CAP DT 10UF 20% 35V	AVX	TAP10M35F	A	EA	1	
C305	100470	CAP CP 47PF 2% 100V	PHILIPS	2222 683 34479		EA	1	
C401	00000N	NOT FITTED				EA	-	
C402	00000N	NOT FITTED				EA	-	
C403	104025	CAP CD 100NF +80%-20% 50V	SIEMENS	B37449		EA	-	
C404	104052	CAP NTKK 220PF 10%	MURATA/ERIE	B8XC0117-33N		EA	1	
C405	104025	CAP CD 100NF +80%-20% 50V	SIEMENS	B37449		EA	-	
C406	104025	CAP CD 100NF +80%-20% 50V	SIEMENS	B37449		EA	-	
C407	104025	CAP CD 100NF +80%-20% 50V	SIEMENS	B37449		EA	-	
C501	180047	CAP AE 1000UF 40V	ECC	SNV8		EA	1	
C502	180048	CAP AE 470UF 63V	NIPPON CHEMI-CON	SNV8 470/63		EA	1	
C503	110041	CAP PE 10NF 20% 100V	WIMA	PKS2		EA	3	
C504	110041	CAP PE 10NF 20% 100V	WIMA	PKS2		EA	-	
C505	110042	CAP PE 100NF 20% 63V	WIMA	MKS2		EA	-	
C506	120028	CAP PC 4R7P 20% 100V	WIMA	PKC2	A	EA	1	
C507	100332	CAP CP 33PF 10% 100V	PHILIPS	2222 630 19332		EA	2	
C508	110035	CAP PE 220NF 20% 63V	WIMA	MKS2		EA	-	
C509	104026	CAP CD 47NF +50%-20% 50V	SIEMENS	B37449		EA	-	
C510	180044	CAP AE 220UF 40V	STREATITE	EKMOOP3 3472		EA	1	
C511	110035	CAP PE 220NF 20% 63V	WIMA	MKS2		EA	-	
C512	100332	CAP CP 33PF 10% 100V	PHILIPS	2222 630 19332		EA	-	
C513	180062	CAP AE 2200UF 16V	ROEDERSTEIN	EKMOO JG 422D	A	EA	2	
C514	180062	CAP AE 2200UF 16V	ROEDERSTEIN	EKMOO JG 422D	A	EA	-	
C515	180043	CAP AE 470UF 25V	STREATITE	EKMOOP3 347E		EA	1	
C516	110041	CAP PE 10NF 20% 100V	WIMA	PKS2		EA	-	
C517	110040	CAP PE 33NF 20% 63V	WIMA	MKS2		EA	1	
C518	110042	CAP PE 100NF 20% 63V	WIMA	MKS2		EA	-	
C519	110040	CAP PE 33NF 20% 63V	WIMA	MKS2		EA	-	
C520	180049	CAP AE 330UF 100V	PHILIPS	035-59331		EA	1	
C521	110042	CAP PE 100NF 20% 63V	WIMA	MKS2		EA	-	
C522	150001	CAP DT 22UF 20% 16V	AVX	TAP22M16P		EA	-	
C523	110042	CAP PE 100NF 20% 63V	WIMA	MKS2		EA	-	
C524	150016	CAP DT 1UF 20% 35V	AVX	TAP10M35F	A	EA	-	
C527	104025	CAP CD 100NF +80%-20% 50V	SIEMENS	B37449		EA	-	
C528	104025	CAP CD 100NF +80%-20% 50V	SIEMENS	B37449		EA	-	
C529	104025	CAP CD 100NF +80%-20% 50V	SIEMENS	B37449		EA	-	
C530	104025	CAP CD 100NF +80%-20% 50V	SIEMENS	B37449		EA	-	
C531	104025	CAP CD 100NF +80%-20% 50V	SIEMENS	B37449		EA	-	
C532	104025	CAP CD 100NF +80%-20% 50V	SIEMENS	B37449		EA	-	
C533	104025	CAP CD 100NF +80%-20% 50V	SIEMENS	B37449		EA	-	

DRAWING NO		CHKD	DATE														
LD400901																	
DOCUMENT LIST																	
DISTRIBUTION																	
ECO																	
REVISION																	
ISSUE				A-2-131501Z1808													
DESCRIPTION	DRAWING NUMBER	SHEET NUMBER	ISSUE - REVISION														
PARTS LIST	LP400901	ALL	A-2														
ASSEMBLY DRAWING	DA400901	1	A-2/A-2/A-2														
ASSEMBLY DRAWING	DA400901	2	A-2/A-2/A-2														
ASSEMBLY DRAWING	DA400901	3	A-2/A-2/A-2														
CIRCUIT DIAGRAM	DC400901	1	A-2/A-2/A-2														
CIRCUIT DIAGRAM	DC400901	2	A-2/A-2/A-2														
CIRCUIT DIAGRAM	DC400901	3	A-2/A-2/A-2														
CIRCUIT DIAGRAM	DC400901	4	A-2/A-2/A-2														
CIRCUIT DIAGRAM	DC400901	5	A-2/A-2/A-2														
TEST PROCEDURE	PT400901	-															
TEST SPEC	ST400901	-															
PCB	414001																
NOTES								DRN DATE 22 DEC 88		CHRD DATE		APP'D DATE		TITLE 1271/1281 DIGITAL ASSEMBLY		DRAWING NO LD400901	
<input type="checkbox"/> CHANGES NO CHANGE TO DOCS AT ISSUE LEVEL CHANGE														SHEET 1 OF 1			

DATRON INSTRUMENTS LTD PARTS LIST 23-Dec-88 DESC: ASSY PCB DIGITAL 1281 DRG NO: LP400901-A REV: 2 PAGE NO: 1

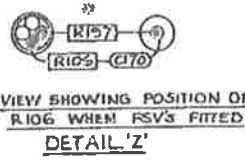
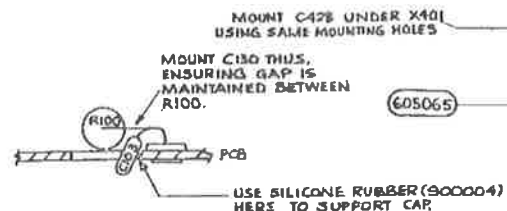
DESIG	PART NO	DESCRIPTION	PRINC MANUF	MANUF PART NUMBER	CLASS	UM	QUANTITY	CHANGES
R101	011000	RES MF 10R0 1% .12W 50PPM	HOLSWORTHY	H8C	A	EA	2	
R102	050164	RES NTWK 2K2 X 8 2%	BECKMAN	LO9-1-R2K2	A	EA	3	
R104	014751	RES MF 4K75 1% .12W 50PPM	HOLSWORTHY	H8C	A	EA	3	
R105	090177	RES NTWK 3K3 X 8 2%	BECKMAN	LO9-1-R3K3	A	EA	1	
R201	090164	RES NTWK 2K2 X 8 2%	BECKMAN	LO9-1-R2K2	A	EA	-	
R202	090046	RES NTWK 10K X 7 2%	BECKMAN	LO8-1-R10K	A	EA	1	
R203	015900	RES MF 590R 1% .12W 50PPM	HOLSWORTHY	H8C	A	EA	1	
R204	015620	RES MF 562R 1% .12W 50PPM	HOLSWORTHY	H8C	A	EA	6	
R205	011001	RES MF 1R00 1% .12W 50PPM	HOLSWORTHY	H8C	A	EA	-	
R206	011001	RES MF 1R00 1% .12W 50PPM	HOLSWORTHY	H8C	A	EA	-	
R207	013092	RES MF 30K9 1% .12W 50PPM	HOLSWORTHY	H8C	A	EA	2	
R208	013092	RES MF 30K9 1% .12W 50PPM	HOLSWORTHY	H8C	A	EA	1	
R209	090165	RES NTWK 10K X 8 2%	BECKMAN	LO9-1-R10K	A	EA	1	
R210	090167	RES PACK 100K X 4 2%	BECKMAN	LO8-3-R100K	A	EA	1	
R211	011002	RES MF 10K0 1% .12W 50PPM	HOLSWORTHY	H8C	A	EA	5	
R212	011022	RES MF 10K2 1% .12W 50PPM	HOLSWORTHY	H8C	A	EA	1	
R213	013320	RES MF 33R2 1% .12W 50PPM	HOLSWORTHY	H8C	A	EA	1	
R301	090164	RES NTWK 2K2 X 8 2%	BECKMAN	LO9-1-R2K2	A	EA	-	
R302	015110	RES MF 511R 1% .12W 50PPM	HOLSWORTHY	H8C	A	EA	2	
R303	014751	RES MF 4K75 1% .12W 50PPM	HOLSWORTHY	H8C	A	EA	-	
R304	090165	RES PACK 68R X 4 2%	BECKMAN	LO8-3-R66	A	EA	3	
R305	015110	RES MF 511R 1% .12W 50PPM	HOLSWORTHY	H8C	A	EA	-	
R306	014752	RES MF 47K5 1% .12W 50PPM	HOLSWORTHY	H8C	A	EA	3	
R307	012002	RES MF 20K0 1% .12W 50PPM	HOLSWORTHY	H8C	A	EA	1	
R308	011002	RES MF 10K0 1% .12W 50PPM	HOLSWORTHY	H8C	A	EA	-	
R309	016812	RES MF 68K1 1% .12W 50PPM	HOLSWORTHY	H8C	A	EA	2	
R310	014991	RES MF 4K99 1% .12W 50PPM	HOLSWORTHY	H8C	A	EA	8	
R311	017501	RES MF 7K50 1% .12W 50PPM	HOLSWORTHY	H8C	A	EA	1	
R312	014751	RES MF 4K75 1% .12W 50PPM	HOLSWORTHY	H8C	A	EA	-	
R313	011002	RES MF 10K0 1% .12W 50PPM	HOLSWORTHY	H8C	A	EA	-	
R314	011002	RES MF 10K0 1% .12W 50PPM	HOLSWORTHY	H8C	A	EA		
R315	016818	RES MF 68R1 1% .12W 50PPM	HOLSWORTHY	H8C	A	EA	3	
R316	012212	RES MF 22K1 1% .12W 50PPM	HOLSWORTHY	H8C	A	EA	2	
R317	012212	RES MF 22K1 1% .12W 50PPM	HOLSWORTHY	H8C	A	EA		
R401	016818	RES MF 68R1 1% .12W 50PPM	HOLSWORTHY	H8C	A	EA		
R402	016818	RES MF 68R1 1% .12W 50PPM	HOLSWORTHY	H8C	A	EA		
R403	090041	RES NTWK 4K7 X 7 2%	BECKMAN	LO8-1-R4K7	A	EA	1	
R404	090165	RES PACK 68R X 4 2%	BECKMAN	LO8-3-R68	A	EA	-	
R405	090165	RES PACK 68R X 4 2%	BECKMAN	LO8-3-R68	A	EA	-	
R406	016190	RES MF 619R 1% .12W 50PPM	HOLSWORTHY	H8C	A	EA	1	
R407	09C162	RES PACK 270R X 4 2%	AB	770-83-270R	A	EA	1	
R408	012743	RES MF 274R 1% .12W 50PPM	HOLSWORTHY	H8C	A	EA	1	
R501	011001	RES MF 1K00 1% .12W 50PPM	HOLSWORTHY	H8C	A	EA	-	
R502	008039	RES MW 0R20 10% 2.5W	WELBYN	W21-0R20	A	EA	1	
R503	011001	RES MF 1K00 1% .12W 50PPM	HOLSWORTHY	H8C	A	EA		



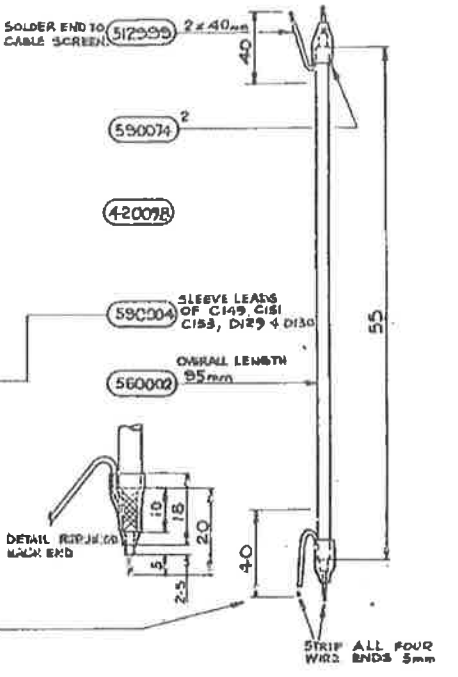
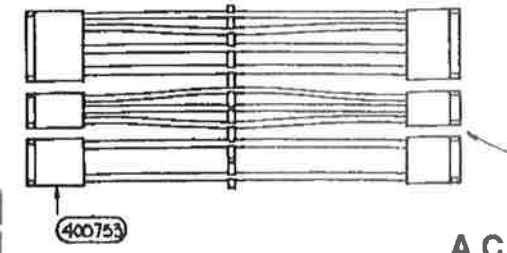
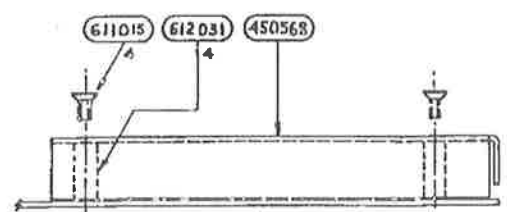


COMPONENTS NOT FITTED: R264, C251, C252, C256, C307, D301, D302.

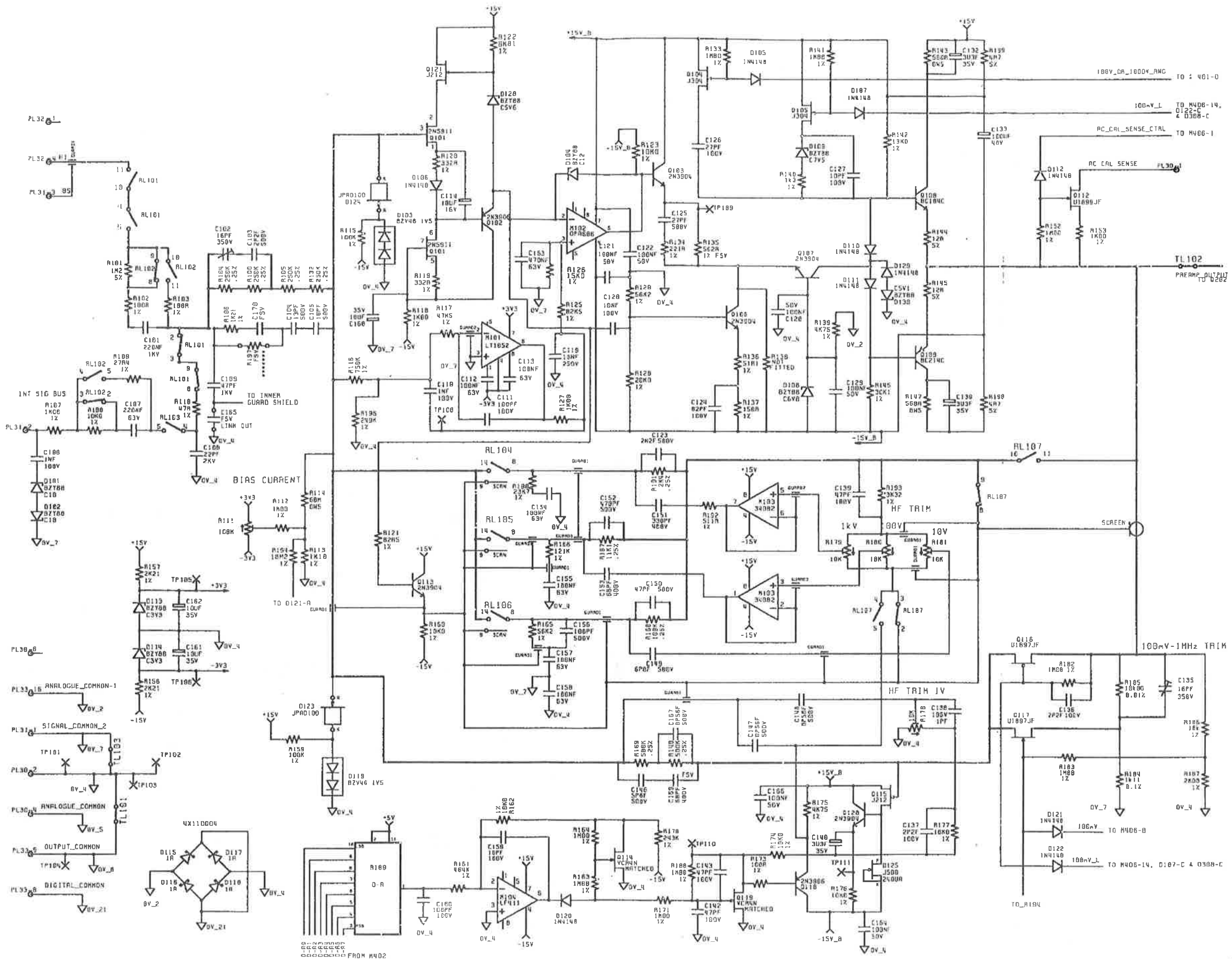
'LINKS' MADE FROM 22SWG BTC WIRE 540002
WIRE LINK 'A' 'B' AND 'C' MADE FROM 390004



- NOTES:
- M101, M201, M202 1 X 207 MUST BE SOLDERED DIRECT TO PCB. NO SOCKET
 - REMOVE UNUSED PINS ON PL30, PL31 AND PL32.



- 605059 M104, M103, M301, M303, M305, M306, M308, M710
- 605061 M302, M304, M404, M411
- 602001 R353, R241
- 410355-1
- 590074
- 420078
- 59C004 SLEEVE LEADS OF C149, C151, C153, D129 & D130
- 560002 OVERALL LENGTH 95mm
- 613017 ASSEMBLY WASHER BETWEEN PCB AND C153
- 620005
- 630107 TOTAL LENGTH OF STRIP RAMP 222mm (CUT 3 LENGTHS)
- 900004 R104, R105, R106. THESE LEADS TO BE KEPT VERY SHORT.
- 612031
- 620002



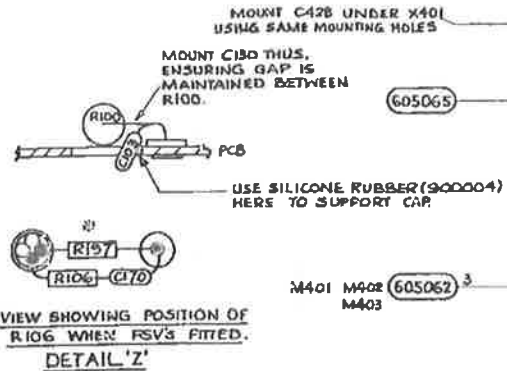
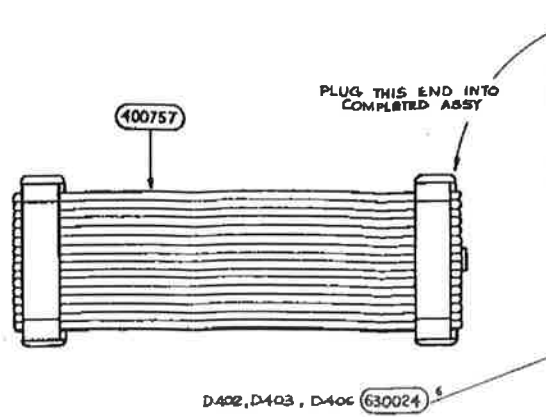
A.C. ASSEMBLY
Preamplifier

Drawing No. DC400870 Sheet 1 of 4

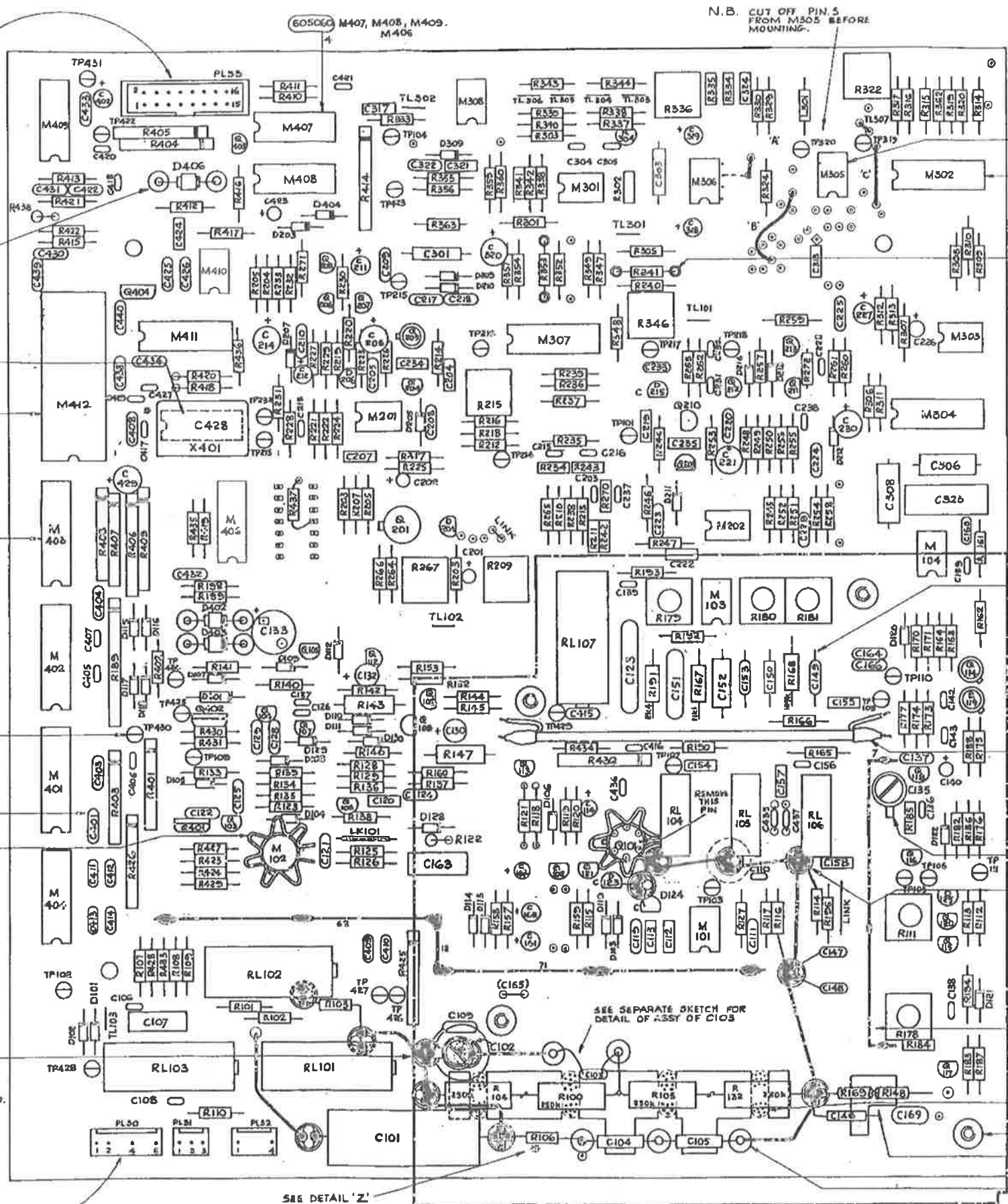
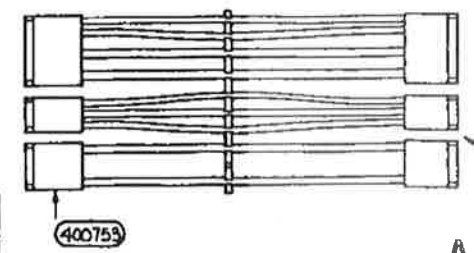
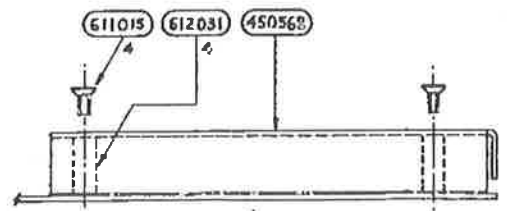


© Datron Instruments 1989

1271

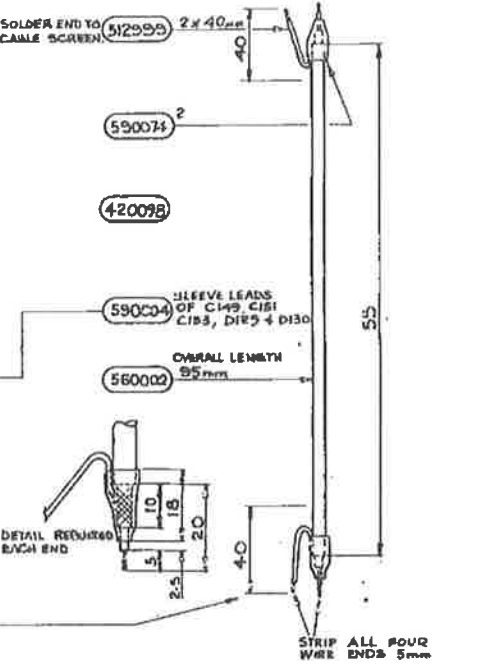


NOTES:-
 1. M101, M301, M302 & M307 MUST BE SOLDERED DIRECT TO PCB. NO SOCKET.
 2. REMOVE UNUSED PINS ON PL30, PL31 AND PL37.



COMPONENTS NOT FITTED:- R264, C251, C252, C256, C307, D301, D302.
 'LINKS' MADE FROM 22 SWG BTC WIRE 540004
 WIRE LINK 'A' 'B' AND 'C' MADE FROM 590004

- 8 605059 M104, M103, M301, M303, M305, M306, M308, M310
- 4 605061 M302, M304, M404, M411
- 4 602001 R453, R241
- 110365-1
- 590074 2
- 420098
- 590004 3
- 560002
- 620007 20
- 630243 28
- 920202 2
- 611015 4
- 612031 4
- 450569 4
- 630276
- 630107
- 900004
- 612031 4
- 620003 5



DETAIL REQUIRED EACH END

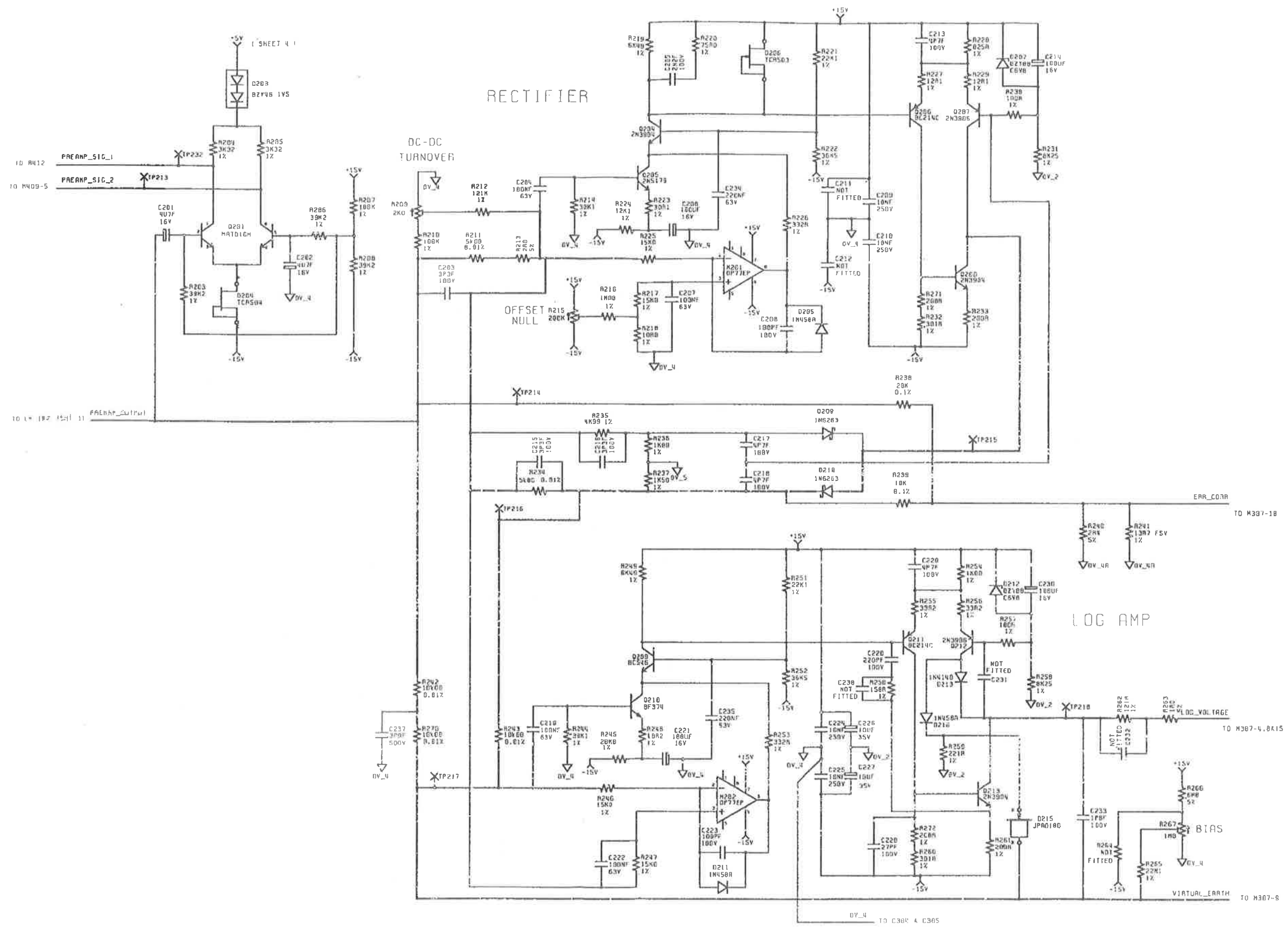
OUTLINE OF GUARDSCREEN

ASSEMBLE WASHER BETWEEN PCB AND C155.

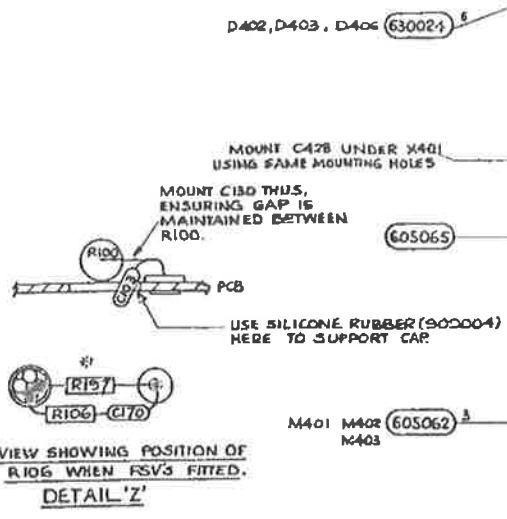
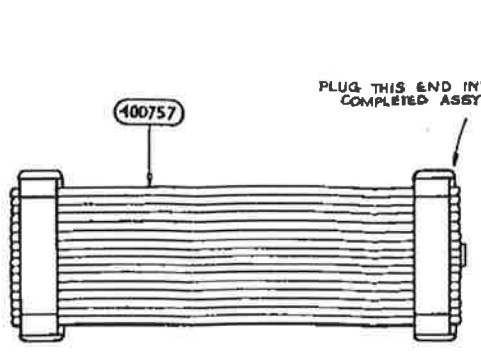
620005 13

TOTAL LENGTH OF STRIP 222mm (CUT 2 LENGTHS)

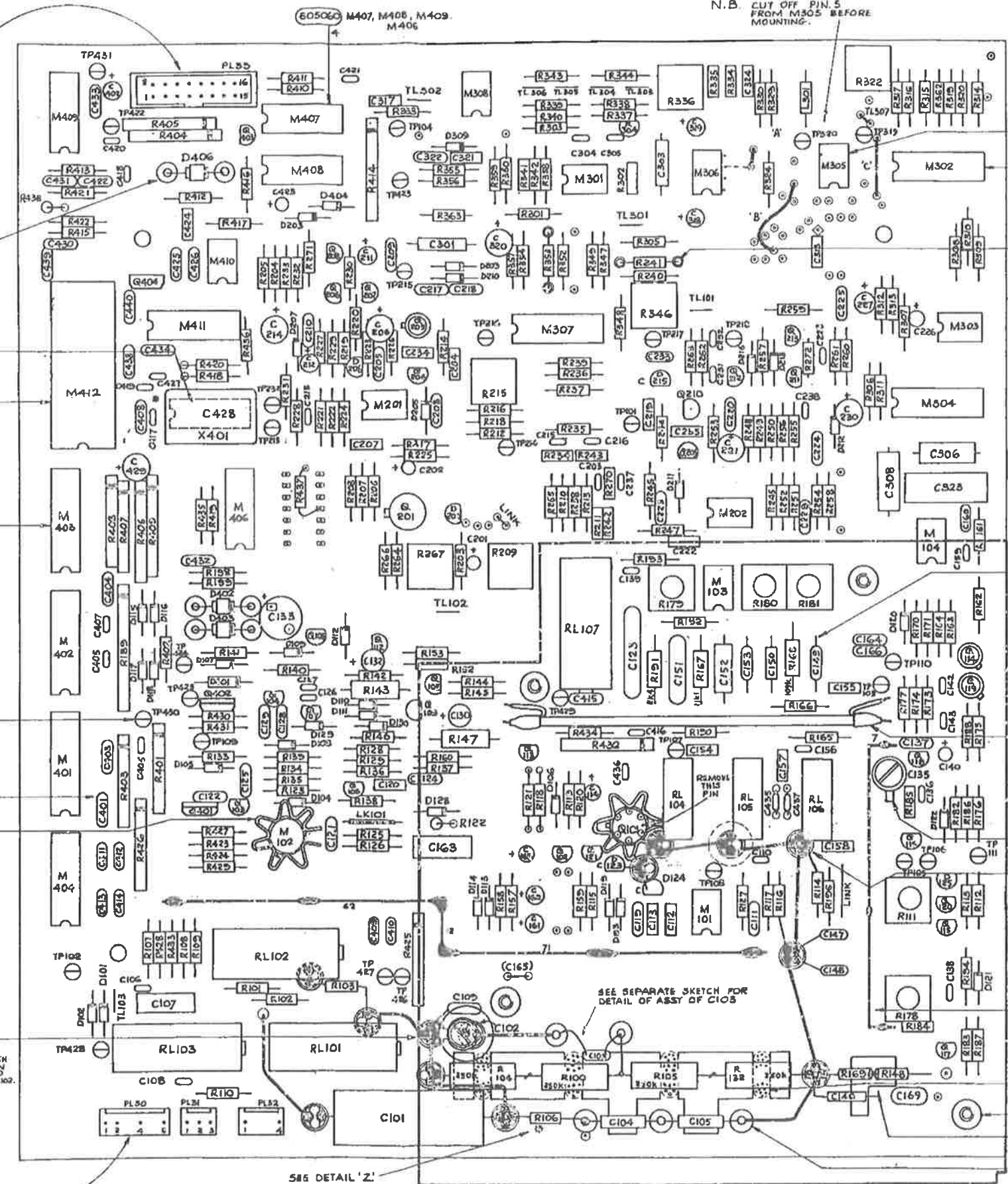
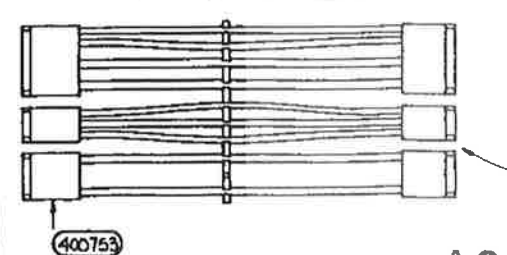
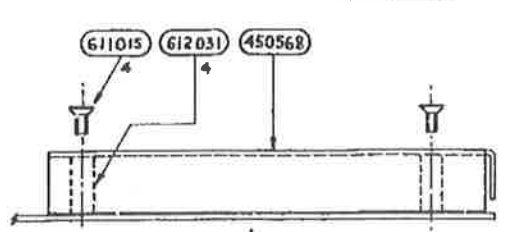
THESE LEADS TO BE KEPT VERY SHORT.



A.C. ASSEMBLY
 Precision Rectifier and Logarithmic Amplifier
 Drawing No. DC400870 Sheet 2 of 4

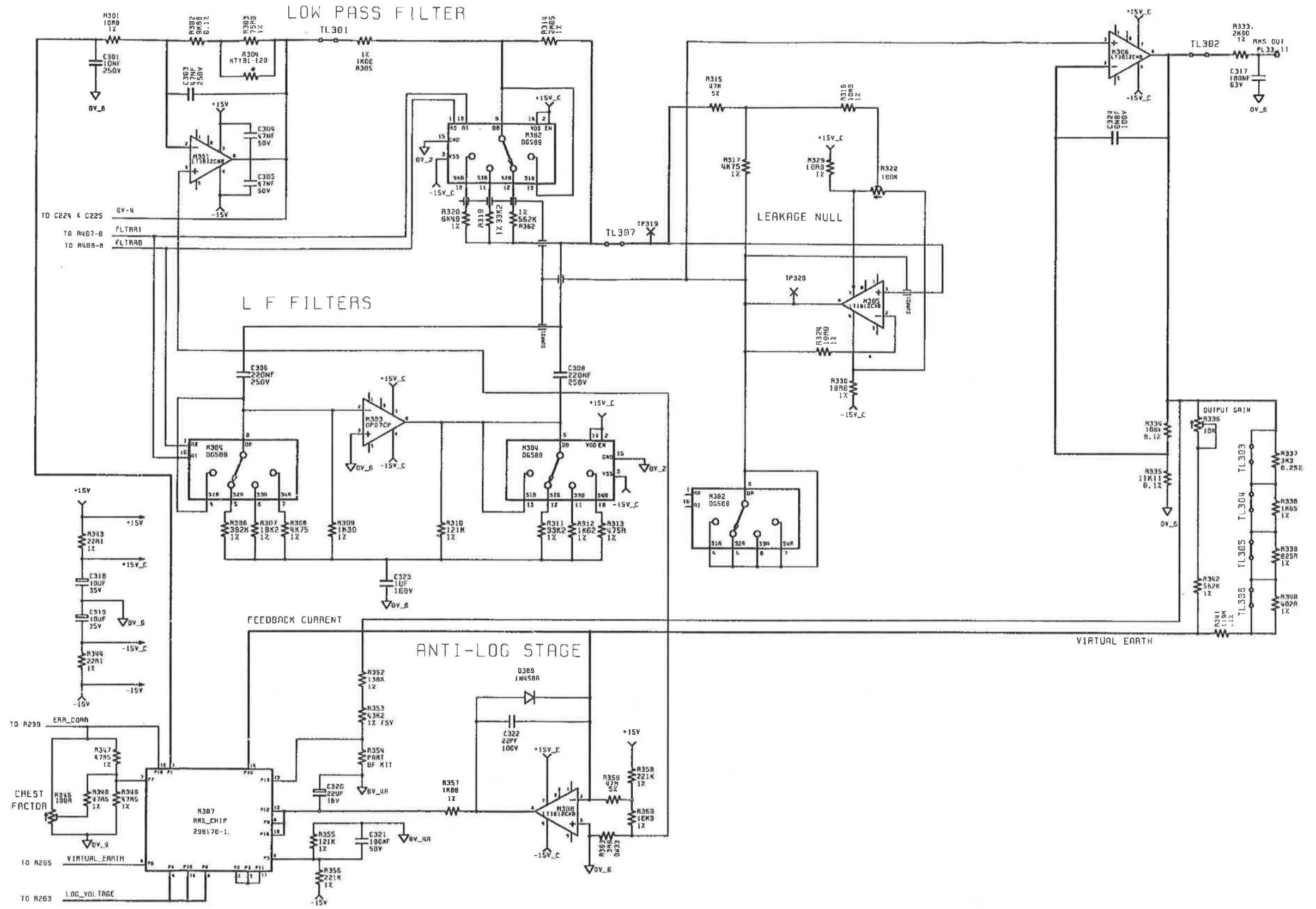


- NOTES:
- M101, M201, M202 & M307 MUST BE SOLDERED DIRECT TO PCB. NO SOCKET
 - REMOVE UNUSED PINS ON PL30, PL31 AND PL32.



COMPONENTS NOT FITTED: R264, C251, C252, C256, C307, D301, D302.
 LINKS MADE FROM 22 SWG BTC WIRE 540008
 WIRE LINK 'A' AND 'C' MADE FROM 590004

- 8 605059 M104, M103, M301, M303, M305, M306, M308, M310
- 4 605061 M302, M304, M404, M411
- 4 602001 R353, R241
- 110365-1
- 590074 2
- 420078
- 590004 1 BEEVE LEADS OF C149, C151, C153, D159 & D150
- 560002 OVERALL LENGTH 95.2mm
- DETAIL REQUIRED EACH END
- STRIP ALL FOUR WIRE ENDS 5mm
- OUTLINE OF GUARDSCREEN
- 613017 ASSEMBLE WASHER BETWEEN PCB AND C135.
- 13 620005
- 630107 TOTAL LENGTH OF STRIP REQD 222mm (CUT 2 LENGTHS)
- 900004 R104, R105, R169. THESE LEADS TO BE KEPT VERY SHORT.
- 4 612031
- 5 620003



A.C. ASSEMBLY
RMS Converter

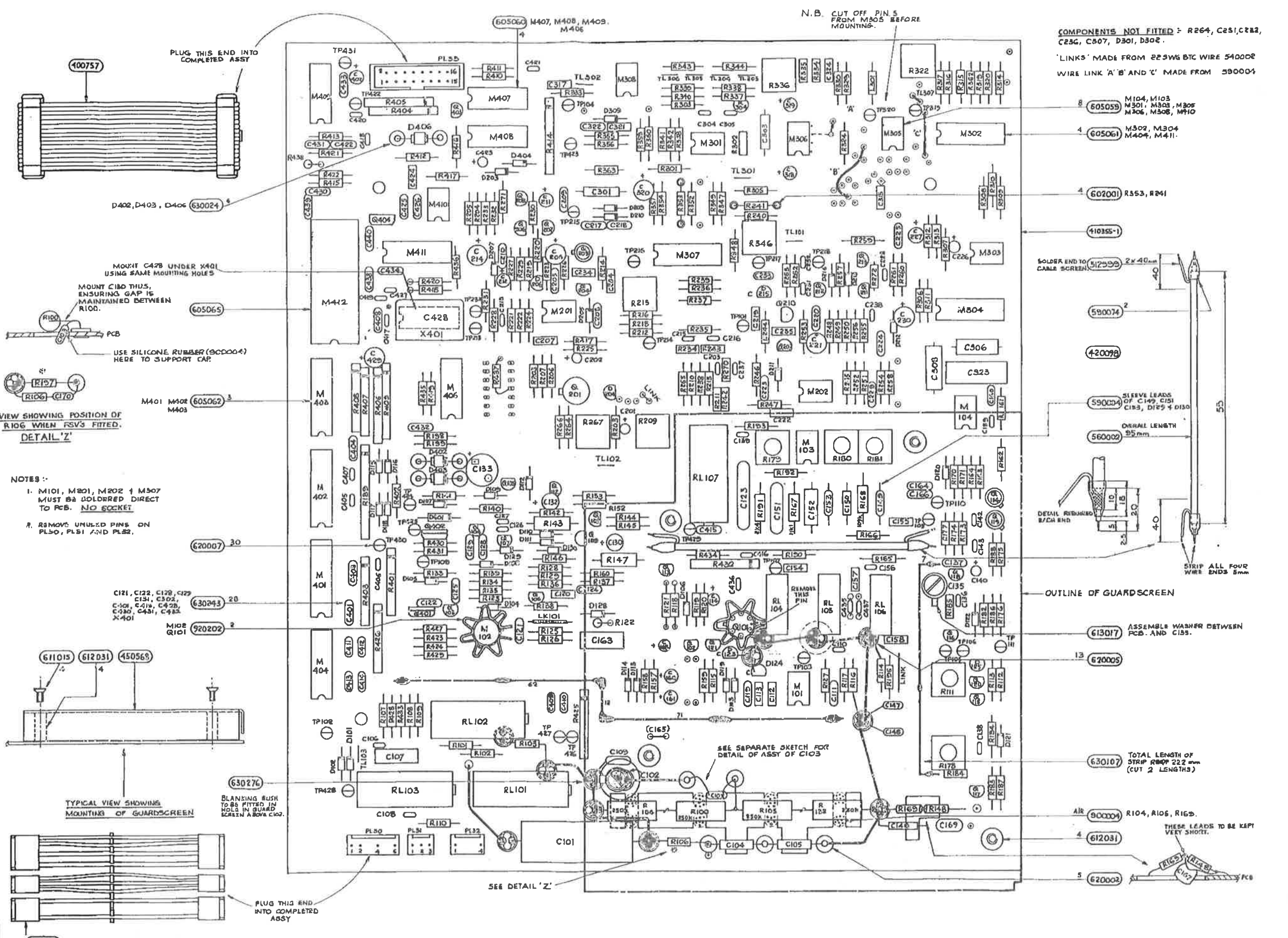
Drawing No. DC400870 Sheet 3 of 4



© Datron Instruments 1989

1271

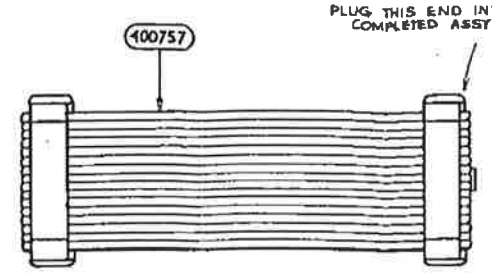
11.53



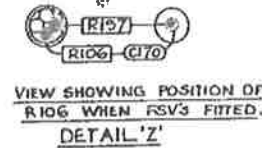
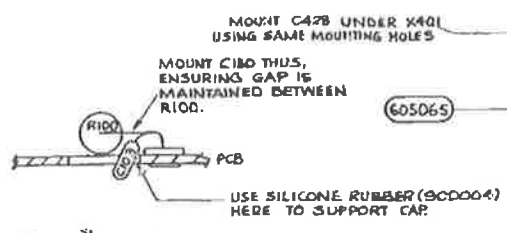
N.B. CUT OFF PIN 5 FROM M305 BEFORE MOUNTING.

COMPONENTS NOT FITTED: R264, C251, C282, C286, C307, D301, D302.

'LINKS' MADE FROM 22 SWG BTC WIRE 540002
WIRE LINK 'A' 'B' AND 'C' MADE FROM 590004



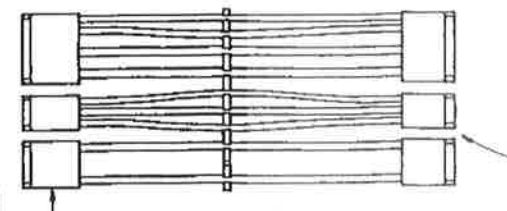
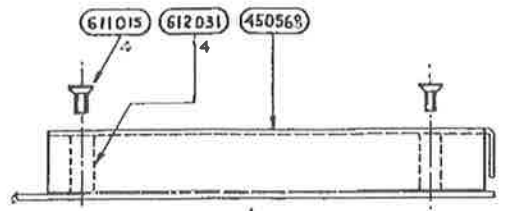
D402, D403, D404 (630024)



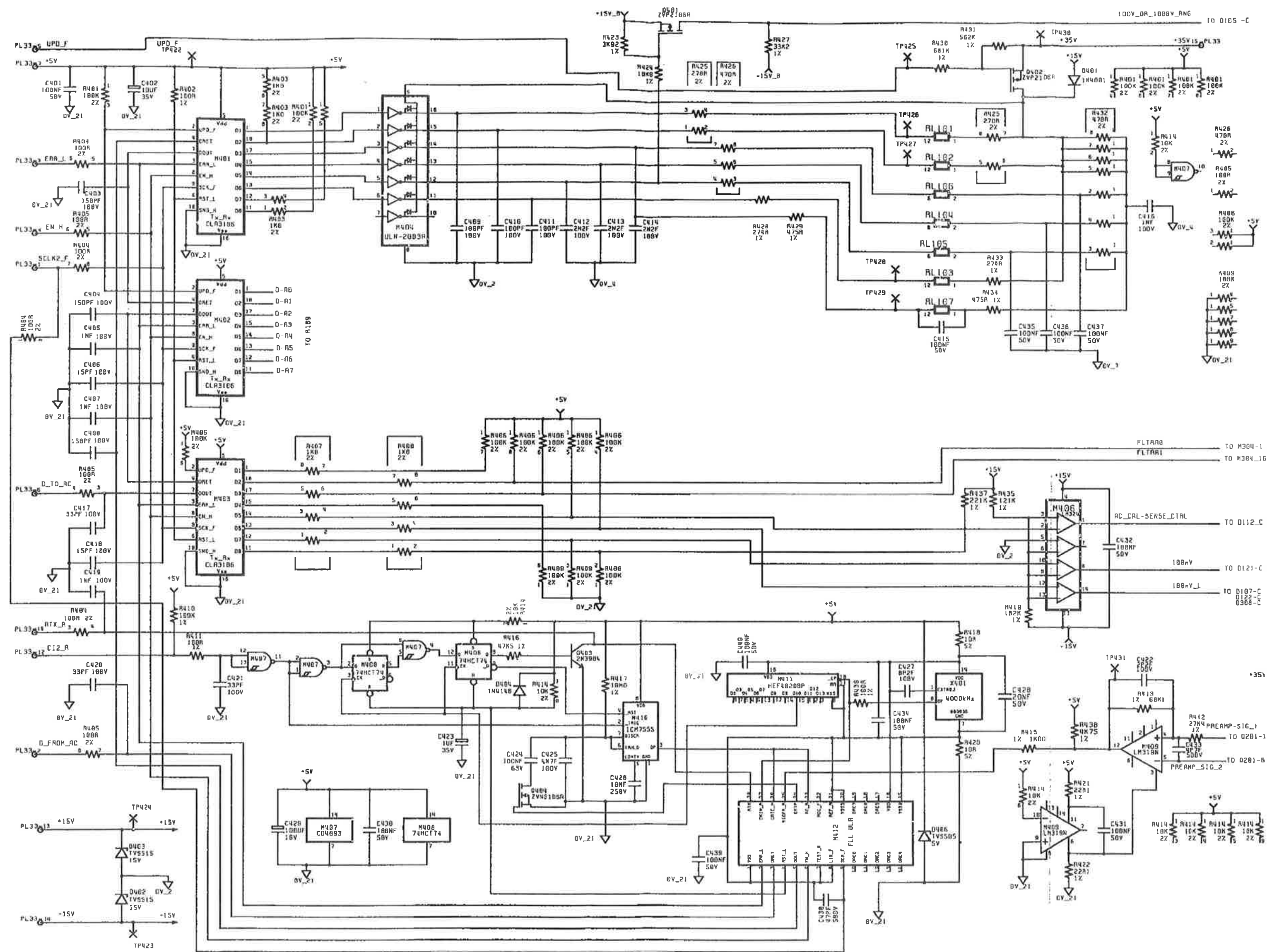
NOTES:

- 1. M101, M201, M202 & M307 MUST BE SOLDERED DIRECT TO PCB. NO SOCKET
- 2. REMOVE UNUSED PINS ON PL50, PL51 AND PL52.

C121, C122, C128, C129
C108, C114, C122, C128, C130, C431, C432, X401
M102, R101 (920202)



- 8 (605059) M104, M103, M301, M303, M305, M306, M308, M310
- 4 (605061) M302, M304, M404, M411.
- 4 (602001) R353, R241
- (110355-1)
- 590074
- 420079
- 590004 SLEEVE LEADS OF C149, C151, C153, D129 & D130
- 560002 OVERALL LENGTH 95mm
- DETAIL RETURNED R/C&A END
- STRIP ALL FOUR WIRE ENDS 5mm
- OUTLINE OF GUARDSCREEN
- 613017 ASSEMBLE WASHER BETWEEN PCB AND C153.
- 13 (620005)
- 630107 TOTAL LENGTH OF STRIP RMP 222mm (CUT 2 LENGTHS)
- 900004 R104, R106, R169
- 4 (612031) THESE LEADS TO BE KEPT VERY SHORT.
- 5 (620002)



A.C. ASSEMBLY

Control Logic

Drawing No. DC400870

Sheet 4 of 4



© Datron Instruments 1989



DRAWING No		DATE		ECC	SHEET NUMBER	REV	ISSUE
LD 400870		1.0					
DOCUMENT LIST		DATE					
DISTRIBUTION		DATE					
D2	WM						
DESCRIPTION	DRAWING NUMBER	SHEET NUMBER	ISSUE - REVISION				
PARTS LIST	LP400870	ALL	1.0	1.0	1.0	1.0	1.0
ASSEMBLY DRAWING	DA400870	1	1.0	1.0	1.0	1.0	1.0
CIRCUIT DIAGRAM	DC400870	1	1.0	1.0	1.0	1.0	1.0
	DC400870	2	1.0	1.0	1.0	1.0	1.0
	DC400870	3	1.0	1.0	1.0	1.0	1.0
	DC400870	4	1.0	1.0	1.0	1.0	1.0
TEST PROCEDURE	460870	-7					
TEST SPECIFICATION	470870	-					
PCB	410365	1	1.0				

NOTES

DENOTES NO CHANGE TO DOCS AT ISSUE LEVEL CHANGE



DATE 14 NOV 88

DATE

DATE

TITLE 1271 AC PCB ASSY.

DRAWING No LD400870 SHEET 1 OF 1

DATRON INSTRUMENTS LTD PARTS LIST 03-Jan-89 DESC: ASSY PCB AC 1271 DRG NO: LP400870-1 REV: 0 PAGE NO: 1

DESIG	PART NO	DESCRIPTION	PRINC MANUF	MANUF PART NUMBER	CLASS	UM	QUANTITY	CHANGES
R100	090178-1	RES FL SET X 9	TRW	SEE DRG			S9	1
R101	008078	RES MC 1M2 5% .25W	PHILIPS	VR25	HBC	A	EA	1
R102	008075	RES MC 100R 1% .5W	NEOHM	RGPO207	HBC	A	EA	1
R103	008076	RES MC 180R 1% .5W	NEOHM	RGPO207/180R/1	HBC	A	EA	1
R104	090178-1	RES FL SET X 9	TRW	SEE DRG			S9	-
R105	090178-1	RES FL SET X 9	TRW	SEE DRG			S9	-
R106	011211	RES MF 1K21 1% .12W 50PPH	HOLSWORTHY	HBC	A	EA	1	9
R107	011001	RES MF 1K00 1% .12W 50PPH	HOLSWORTHY	HBC	A	EA	9	9
R108	011002	RES MF 10K0 1% .12W 50PPH	HOLSWORTHY	HBC	A	EA	1	9
R109	012748	RES MF 27R4 1% .12W 50PPH	HOLSWORTHY	HBC	A	EA	1	9
R110	008077	RES MC 47R 1% .5W	NEOHM	RGPO207			EA	1
R111	063104	RES CT 100K HORZ S/T	BECKMAN	72P	A	EA	2	1
R112	041004	RES MF 1M00 1% .12W 50PPH	HOLSWORTHY	HBC	A	EA	1	1
R113	011101	RES MF 1K1C 1% .12W 50PPH	HOLSWORTHY	HBC	A	EA	1	1
R114	008072	RES MC 68M 5% 2.5KV	PHILIPS	VR37			EA	1
R115	011003	RES MF 100K 1% .12W 50PPH	HOLSWORTHY	HBC	A	EA	5	
R116	047503	RES MF 750K 1% .12W 50PPH	HOLSWORTHY	HBC	A	EA	1	
R117	014752	RES MF 47K5 1% .12W 50PPH	HOLSWORTHY	HBC	A	EA	2	
R118	011001	RES MF 1K00 1% .12W 50PPH	HOLSWORTHY	HBC	A	EA	-	
R119	013320	RES MF 332R 1% .12W 50PPH	HOLSWORTHY	HBC	A	EA	4	
R120	013320	RES MF 332R 1% .12W 50PPH	HOLSWORTHY	HBC	A	EA	-	
R121	018258	RES MF 82R5 1% .12W 50PPH	HOLSWORTHY	HBC	A	EA	1	
R122	016011	RES MF 6K81 1% .12W 50PPH	HOLSWORTHY	HBC	A	EA	1	
R123	011002	RES MF 10K0 1% .12W 50PPH	HOLSWORTHY	HBC	A	EA	-	
R125	018252	RES MF 82K5 1% .12W 50PPH	HOLSWORTHY	HBC	A	EA	1	
R126	011502	RES MF 15K0 1% .12W 50PPH	HOLSWORTHY	HBC	A	EA	5	
R127	011001	RES MF 1K00 1% .12W 50PPH	HOLSWORTHY	HBC	A	EA	-	
R128	012002	RES MF 20K0 1% .12W 50PPH	HOLSWORTHY	HBC	A	EA	2	
R129	015622	RES MF 56K2 1% .12W 50PPH	HOLSWORTHY	HBC	A	EA	2	
R132	090178-1	RES FL SET X 9	TRW	SEE DRG			S9	-
R133	041004	RES MF 1M00 1% .12W 50PPH	HOLSWORTHY	HBC	A	EA	-	
R134	012210	RES MF 221R 1% .12W 50PPH	HOLSWORTHY	HBC	A	EA	2	
R135	015620	RES MF 562R 1% .12W 50PPH	HOLSWORTHY	HBC	A	EA	1	
R136	015118	RES MF 51R1 1% .12W 50PPH	HOLSWORTHY	HBC	A	EA	1	
R137	011500	RES MF 150R 1% .12W 50PPH	HOLSWORTHY	HBC	A	EA	2	
R138	00006N	HOT FITTED					EA	7
R139	014751	RES MF 47K5 1% .12W 50PPH	HOLSWORTHY	HBC	A	EA	5	
R140	011301	RES MF 1K30 1% .12W 50PPH	HOLSWORTHY	HBC	A	EA	1	
R141	041004	RES MF 1M00 1% .12W 50PPH	HOLSWORTHY	HBC	A	EA	-	
R142	011302	RES MF 13K0 1% .12W 50PPH	HOLSWORTHY	HBC	A	EA	1	
R143	001561	RES CF 560R 5% .50W	NEOHM	CFR50	A	EA	2	
R144	000120	RES CF 12R 5% .25W	NEOHM	CFR25	A	EA	2	
R145	000120	RES CF 12R 5% .25W	NEOHM	CFR25	A	EA	-	
R146	013012	RES MF 30K1 1% .12W 50PPH	HOLSWORTHY	HBC	A	EA	3	
R147	001561	RES CF 560R 5% .50W	NEOHM	CFR50	A	EA	-	

DESIG	PART NO	DESCRIPTION	PRINC MANUF	MANUF PART NUMBER	CLASS	UN	QUANTITY	CHANGES
R148	090178-1	RES FL SET X 9	TRW	SEE DRG			S9	-
R152	041004	RES MF 1M00 1% .12W 50PPH	HOLSWORTHY	H8C	A	EA	-	
R153	011001	RES MF 1K00 1% .12W 50PPH	HOLSWORTHY	H8C	A	EA	-	
R157	012211	RES MF 2K21 1% .12W 50PPH	HOLSWORTHY	H8C	A	EA	2	
R158	012211	RES MF 2K21 1% .12W 50PPH	HOLSWORTHY	H8C	A	EA	-	
R159	011003	RES MF 100K 1% .12W 50PPH	HOLSWORTHY	H8C	A	EA	-	
R160	011002	RES MF 10K0 1% .12W 50PPH	HOLSWORTHY	H8C	A	EA	-	
R161	014643	RES MF 464K 1% .12W 50PPH	HOLSWORTHY	H8C	A	EA	1	
R162	011002	RES MF 10K0 1% .12W 50PPH	HOLSWORTHY	H8C	A	EA	-	
R163	041004	RES MF 1M00 1% .12W 50PPH	HOLSWORTHY	H8C	A	EA	-	
R164	041004	RES MF 1M00 1% .12W 50PPH	HOLSWORTHY	H8C	A	EA	-	
R165	015622	RES MF 56K2 1% .12W 50PPH	HOLSWORTHY	H8C	A	EA	-	
R166	011213	RES MF 121K 1% .12W 50PPH	HOLSWORTHY	H8C	A	EA	5	
R167	090178-1	RES FL SET X 9	TRW	SEE DRG			S9	-
R168	090178-1	RES FL SET X 9	TRW	SEE DRG			S9	-
R169	090178-1	RES FL SET X 9	TRW	SEE DRG			S9	-
R170	012433	RES MF 243K 1% .12W 50PPH	HOLSWORTHY	H8C	A	EA	1	
R171	041004	RES MF 1M00 1% .12W 50PPH	HOLSWORTHY	H8C	A	EA	-	
R173	011000	RES MF 100R 1% .12W 50PPH	HOLSWORTHY	H8C	A	EA	6	
R174	011002	RES MF 10K0 1% .12W 50PPH	HOLSWORTHY	H8C	A	EA	-	
R175	014751	RES MF 4K75 1% .12W 50PPH	HOLSWORTHY	H8C	A	EA	-	
R176	011002	RES MF 10K0 1% .12W 50PPH	HOLSWORTHY	H8C	A	EA	-	
R177	011002	RES MF 10K0 1% .12W 50PPH	HOLSWORTHY	H8C	A	EA	-	
R178	063103	RES CT 10K HORIZ S/T	BECKMAN	72P	A	EA	5	
R179	063103	RES CT 10K HORIZ S/T	BECKMAN	72P	A	EA	-	
R180	063103	RES CT 10K HORIZ S/T	BECKMAN	72P	A	EA	-	
R181	063103	RES CT 10K HORIZ S/T	BECKMAN	72P	A	EA	-	
R182	041004	RES MF 1M00 1% .12W 50PPH	HOLSWORTHY	H8C	A	EA	-	
R183	041004	RES MF 1M00 1% .12W 50PPH	HOLSWORTHY	H8C	A	EA	-	
R184	080104	RES FL 1K11 .1% 1PPH	VISHAY MANN	S102L	A	EA	1	
R185	080105	RES FL 10K00 .01% 1PPH	VISHAY MANN	S102L	A	EA	4	
R186	090178	RES FL SET X 9	TRW	SEE DRG			S9	-
R187	012001	RES MF 2K00 1% .12W 50PPH	HOLSWORTHY	H8C	A	EA	2	
R188	041004	RES MF 1M00 1% .12W 50PPH	HOLSWORTHY	H8C	A	EA	-	
R189	090042-1	RES NETWORK 100K+200K 8BIT	ITT	SEE DRG			EA	1
R190	012372	RES MF 23K7 1% .12W 50PPH	HOLSWORTHY	H8C	A	EA	1	
R191	090178-1	RES FL SET X 9	TRW	SEE DRG			S9	-
R192	015110	RES MF 511R 1% .12W 50PPH	HOLSWORTHY	H8C	A	EA	1	
R193	013321	RES MF 3K32 1% .12W 50PPH	HOLSWORTHY	H8C	A	EA	3	
R194	041825	RES MF 18K2 1% .12W 150PPH	MEPCO	S033YL	A	EA	1	
R196	012493	RES MF 249K 1% .12W 50PPH	HOLSWORTHY	H8C	A	EA	1	
R197	00000P	RES FSV					EA	2
R198	000478	RES CP 4R7 5% .25W	NECHM	CFR25	A	EA	2	
R199	000478	RES CP 4R7 5% .25W	NECHM	CFR25	A	EA	-	
R203	013922	RES MF 39K2 1% .12W 50PPH	HOLSWORTHY	H8C	A	EA	3	

DESIG	PART NO	DESCRIPTION	PRINC MANUF	MANUF PART NUMBER	CLASS	UN	QUANTITY	CHANGES
R204	013321	RES MF 3K32 1% .12W 50PPH	HOLSWORTHY	H8C	A	EA	-	
R205	013321	RES MF 3K32 1% .12W 50PPH	HOLSWORTHY	H8C	A	EA	-	
R206	013922	RES MF 39K2 1% .12W 50PPH	HOLSWORTHY	H8C	A	EA	-	
R207	011003	RES MF 100K 1% .12W 50PPH	HOLSWORTHY	H8C	A	EA	-	
R208	013922	RES MF 39K2 1% .12W 50PPH	HOLSWORTHY	H8C	A	EA	-	
R209	063202	RES CT 2K HORIZ S/T	BECKMAN	72P	A	EA	1	
R210	011003	RES MF 100K 1% .12W 50PPH	HOLSWORTHY	H8C	A	EA	-	
R211	080106	RES FL 5K00 .01% 1PPH	VISHAY MANN	S102L	A	EA	2	
R212	011213	RES MF 121K 1% .12W 50PPH	HOLSWORTHY	H8C	A	EA	-	
R213	000208	RES CP 2R0 5% .25W	NECHM	CFR25	A	EA	1	
R214	013012	RES MF 30K1 1% .12W 50PPH	HOLSWORTHY	H8C	A	EA	-	
R215	063204	RES CT 200K HORIZ S/T	BECKMAN	72P	A	EA	1	
R216	041004	RES MF 1M00 1% .12W 50PPH	HOLSWORTHY	H8C	A	EA	-	
R217	011502	RES MF 15K0 1% .12W 50PPH	HOLSWORTHY	H8C	A	EA	-	
R218	011008	RES MF 10R0 1% .12W 50PPH	HOLSWORTHY	H8C	A	EA	5	
R219	016491	RES MF 6K49 1% .12W 50PPH	HOLSWORTHY	H8C	A	EA	3	
R220	017508	RES MF 75R0 1% .12W 50PPH	HOLSWORTHY	H8C	A	EA	2	
R221	012212	RES MF 22K1 1% .12W 50PPH	HOLSWORTHY	H8C	A	EA	2	
R222	013652	RES MF 36K5 1% .12W 50PPH	HOLSWORTHY	H8C	A	EA	2	
R223	013018	RES MF 30R1 1% .12W 50PPH	HOLSWORTHY	H8C	A	EA	1	
R224	011212	RES MF 12K1 1% .12W 50PPH	HOLSWORTHY	H8C	A	EA	1	
R225	011502	RES MF 15K0 1% .12W 50PPH	HOLSWORTHY	H8C	A	EA	-	
R226	013320	RES MF 33R2 1% .12W 50PPH	HOLSWORTHY	H8C	A	EA	-	
R227	011218	RES MF 12R1 1% .12W 50PPH	HOLSWORTHY	H8C	A	EA	2	
R228	018250	RES MF 825R 1% .12W 50PPH	HOLSWORTHY	H8C	A	EA	2	
R229	011218	RES MF 12R1 1% .12W 50PPH	HOLSWORTHY	H8C	A	EA	-	
R230	011000	RES MF 100R 1% .12W 50PPH	HOLSWORTHY	H8C	A	EA	-	
R231	018251	RES MF 8K25 1% .12W 50PPH	HOLSWORTHY	H8C	A	EA	2	
R232	013010	RES MF 30R1 1% .12W 50PPH	HOLSWORTHY	H8C	A	EA	2	
R233	012000	RES MF 200R 1% .12W 50PPH	HOLSWORTHY	H8C	A	EA	4	
R234	080106	RES FL 5K00 .01% 1PPH	VISHAY MANN	S102L	A	EA	-	
R235	014991	RES MF 1K99 1% .12W 50PPH	HOLSWORTHY	H8C	A	EA	-	
R236	011001	RES MF 1K00 1% .12W 50PPH	HOLSWORTHY	H8C	A	EA	-	
R237	011501	RES MF 1K50 1% .12W 50PPH	HOLSWORTHY	H8C	A	EA	1	
R238	050077	RES MF 20K00 .1% .12W 50PPH	HOLSWORTHY	H8	A	EA	1	
R239	050076	RES MF 10K00 .1% .12W 50PPH	HOLSWORTHY	H8	A	EA	1	
R240	000248	RES CP 2R4 5% .25W	NECHM	CFR25	A	EA	1	
R241	011378	RES MF 13R7 1% .12W 50PPH	HOLSWORTHY	H8C	A	EA	1	
R242	080105	RES FL 10K00 .01% 1PPH	VISHAY MANN	S102L	A	EA	-	
R243	080105	RES FL 10K00 .01% 1PPH	VISHAY MANN	S102L	A	EA	-	
R244	013012	RES MF 30K1 1% .12W 50PPH	HOLSWORTHY	H8C	A	EA	-	
R245	012002	RES MF 20K0 1% .12W 50PPH	HOLSWORTHY	H8C	A	EA	-	
R246	011502	RES MF 15K0 1% .12W 50PPH	HOLSWORTHY	H8C	A	EA	-	
R247	011502	RES MF 15K0 1% .12W 50PPH	HOLSWORTHY	H8C	A	EA	-	
R248	011828	RES MF 18R2 1% .12W 50PPH	HOLSWORTHY	H8C	A	EA	1	

DESIG	PART NO	DESCRIPTION	PRINC MANUF	MANUF PART NUMBER	CLASS	UM	QUANTITY	CHANGES
R249	016491	RES MF 6K49 1% .12W 50PPH	HOLSWORTHY	H8C	A	EA	-	
R250	011500	RES MF 150R 1% .12W 50PPH	HOLSWORTHY	H8C	A	EA	-	
R251	012212	RES MF 22K 1% .12W 50PPH	HOLSWORTHY	H8C	A	EA	-	
R252	013652	RES MF 36K5 1% .12W 50PPH	HOLSWORTHY	H8C	A	EA	-	
R253	013320	RES MF 332R 1% .12W 50PPH	HOLSWORTHY	H8C	A	EA	-	
R254	011001	RES MF 1K00 1% .12W 50PPH	HOLSWORTHY	H8C	A	EA	-	
R255	013328	RES MF 33R2 1% .12W 50PPH	HOLSWORTHY	H8C	A	EA	2	
R256	013328	RES MF 33R2 1% .12W 50PPH	HOLSWORTHY	H8C	A	EA	-	
R257	011000	RES MF 100R 1% .12W 50PPH	HOLSWORTHY	H8C	A	EA	-	
R258	018251	RES MF 8K25 1% .12W 50PPH	HOLSWORTHY	H8C	A	EA	-	
R259	012210	RES MF 221R 1% .12W 50PPH	HOLSWORTHY	H8C	A	EA	-	
R260	013010	RES MF 301R 1% .12W 50PPH	HOLSWORTHY	H8C	A	EA	-	
R261	012000	RES MF 200R 1% .12W 50PPH	HOLSWORTHY	H8C	A	EA	-	
R262	011210	RES MF 121R 1% .12W 50PPH	HOLSWORTHY	H8C	A	EA	1	
R263	000106	RES CF 1R0 5% .25W	NEOHM	CFR25	A	EA	1	
R264	00000N	NOT FITTED						
R265	042215	RES MF 22M 1% .12W 150PPH	NEPCO	5053YL	A	EA	1	
R266	000683	RES CF 6H0 5% .25W	NEOHM	CFR25	A	EA	1	
R267	063105	RES CT 1M 40R L S/T	BECKMAN	72P	A	EA	1	
R270	080105	RES FL 10K00 0.1% 1PPH	VISHAY MANN	S102L	A	EA	-	
R271	012000	RES MF 20CR 1% .12W 50PPH	HOLSWORTHY	H8C	A	EA	-	
R272	012000	RES MF 20CR 1% .12W 50PPH	HOLSWORTHY	H8C	A	EA	-	
R301	011008	RES MF 10R0 1% .12W 50PPH	HOLSWORTHY	H8C	A	EA	-	
R302	080113	RES FL 9K88 1% 1PPH	VISHAY MANN	S102K	A	EA	1	
R303	017508	RES MF 75R0 1% .12W 50PPH	HOLSWORTHY	H8C	A	EA	-	
R304	090063	PTC THERMISTOR	PHILIPS	KTY81-120	A	EA	1	
R305	011001	RES MF 1K00 1% .12W 50PPH	HOLSWORTHY	H8C	A	EA	-	
R306	013923	RES MF 392K 1% .12W 50PPH	HOLSWORTHY	H8C	A	EA	1	
R307	011822	RES MF 18K2 1% .12W 50PPH	HOLSWORTHY	H8C	A	EA	1	
R308	014751	RES MF 4K75 1% .12W 50PPH	HOLSWORTHY	H8C	A	EA	-	
R309	041304	RES MF 1M30 1% .12W 100PPH	HOLSWORTHY	H8C	A	EA	1	
R310	011213	RES MF 121K 1% .12W 50PPH	HOLSWORTHY	H8C	A	EA	-	
R311	013322	RES MF 33K2 1% .12W 50PPH	HOLSWORTHY	H8C	A	EA	3	
R312	011621	RES MF 1K62 1% .12W 50PPH	HOLSWORTHY	H8C	A	EA	1	
R313	014750	RES MF 475R 1% .12W 50PPH	HOLSWORTHY	H8C	A	EA	3	
R314	042054	RES MF 2M05 1% .12W 100PPH	HOLSWORTHY	H8C	A	EA	1	
R315	000476	RES HM 47M 5% .25W	ALLEN BRADLEY	CB	A	EA	2	
R316	041005	RES MF 10M0 1% .12W 100PPH	STEATITE	MK2	A	EA	2	
R317	014751	RES MF 4K75 1% .12W 50PPH	HOLSWORTHY	H8C	A	EA	-	
R319	013322	RES MF 33K2 1% .12W 50PPH	HOLSWORTHY	H8C	A	EA	-	
R320	016491	RES MF 6K49 1% .12W 50PPH	HOLSWORTHY	H8C	A	EA	-	
R322	063104	RES CT 100K H0RZ S/T	BECKMAN	72P	A	EA	-	
R324	011008	RES MF 10R0 1% .12W 50PPH	HOLSWORTHY	H8C	A	EA	-	
R329	011008	RES MF 10R0 1% .12W 50PPH	HOLSWORTHY	H8C	A	EA	-	
R330	011000	RES MF 10R0 1% .12W 50PPH	HOLSWORTHY	H8C	A	EA	-	

DESIG	PART NO	DESCRIPTION	PRINC MANUF	MANUF PART NUMBER	CLASS	UM	QUANTITY	CHANGES
R333	012001	RES MF 2K00 1% .12W 50PPH	HOLSWORTHY	H8C	A	EA	-	
R334	080107	RES FL 10K 1% 1PPH	VISHAY MANN	S102L	A	EA	1	
R335	080152	RES FL 11K11 1% 1PPH	VISHAY MANN	S102L	A	EA	1	
R336	063103	RES CT 10K H0RZ S/T	BECKMAN	72P	A	EA	-	
R337	050011	RES MF 3K3 1% .12W 15PPH	HOLSWORTHY	H8	A	EA	1	
R338	050079	RES MF 1K65 1% .12W 15PPH	HOLSWORTHY	H8	A	EA	1	
R339	010250	RES MF 825R 1% .12W 50PPH	HOLSWORTHY	H8C	A	EA	-	
R340	014020	RES MF 402R 1% .12W 50PPH	HOLSWORTHY	H8C	A	EA	1	
R341	080121	RES FL 119K 1% 1PPH	VISHAY MANN	S102L	A	EA	1	
R342	050080	RES MF 562K 1% .25W 15PPH	HOLSWORTHY	H4	A	EA	1	
R343	012218	RES MF 22R1 1% .12W 50PPH	HOLSWORTHY	H8C	A	EA	4	
R344	012218	RES MF 22R1 1% .12W 50PPH	HOLSWORTHY	H8C	A	EA	-	
R346	063101	RES CT 100K H0RZ S/T	BECKMAN	72P	A	EA	1	
R347	014758	RES MF 47R5 1% .12W 50PPH	HOLSWORTHY	H8C	A	EA	3	
R348	014758	RES MF 47R5 1% .12W 50PPH	HOLSWORTHY	H8C	A	EA	-	
R349	014758	RES MF 47R5 1% .12W 50PPH	HOLSWORTHY	H8C	A	EA	-	
R352	011303	RES MF 130K 1% .12W 50PPH	HOLSWORTHY	H8C	A	EA	1	
R353	014322	RES MF 43K2 1% .12W 50PPH	HOLSWORTHY	H8C	A	EA	1	
R354	00000K	PART OF KIT						
R355	011213	RES MF 121K 1% .12W 50PPH	HOLSWORTHY	H8C	A	EA	-	
R356	012213	RES MF 221K 1% .12W 50PPH	HOLSWORTHY	H8C	A	EA	3	
R357	011001	RES MF 1K00 1% .12W 50PPH	HOLSWORTHY	H8C	A	EA	-	
R358	012213	RES MF 221K 1% .12W 50PPH	HOLSWORTHY	H8C	A	EA	-	
R359	000476	RES HM 47M 5% .25W	ALLEN BRADLEY	CB	A	EA	-	
R360	011002	RES MF 10R0 1% .12W 50PPH	HOLSWORTHY	H8C	A	EA	-	
R362	045623	RES MF 562K 1% .12W 50PPH	HOLSWORTHY	H8C	A	EA	2	
R363	008041	RES MF 3R9 5% .3W	PHILIPS	SFR25/3R9/5	A	EA	1	
R401	090017	RES NTWK 100K x 7 2%	BECKMAN	L08-1-R100K	A	EA	-	
R402	011000	RES MF 100R 1% .12W 50PPH	HOLSWORTHY	H8C	A	EA	-	
R403	090168	RES PACK 1K X 4 2%	AB	770-83-1K	A	EA	3	
R404	090105	RES PACK 100R X 4 2%	BECKMAN	L08-3-R100	A	EA	2	
R405	090105	RES PACK 100R X 4 2%	BECKMAN	L08-3-R100	A	EA	-	
R406	090121	RES NTWK 100K X 8 2%	BECKMAN	L09-1-R100K	A	EA	2	
R407	090168	RES PACK 1K X 4 2%	AB	770-83-1K	A	EA	-	
R408	090168	RES PACK 1K X 4 2%	AB	770-83-1K	A	EA	-	
R409	090121	RES NTWK 100K X 8 2%	BECKMAN	L09-1-R100K	A	EA	-	
R410	011063	RES MF 100K 1% .12W 50PPH	HOLSWORTHY	H8C	A	EA	-	
R411	011000	RES MF 100R 1% .12W 50PPH	HOLSWORTHY	H8C	A	EA	-	
R412	012742	RES MF 27K4 1% .12W 50PPH	HOLSWORTHY	H8C	A	EA	1	
R413	016812	RES MF 68K1 1% .12W 50PPH	HOLSWORTHY	H8C	A	EA	1	
R414	090163	RES NTWK 10K X 8 2%	BECKMAN	L09-1-R10K	A	EA	1	
R415	011001	RES MF 1K00 1% .12W 50PPH	HOLSWORTHY	H8C	A	EA	-	
R416	014752	RES MF 47K5 1% .12W 50PPH	HOLSWORTHY	H8C	A	EA	-	
R417	041005	RES MF 10M0 1% .12W 100PPH	STEATITE	MK2	A	EA	-	
R418	000100	RES CF 1R0 5% .25W	NEOHM	CFR25	A	EA	2	

DESIG	PART NO	DESCRIPTION	PRINC MANUF	MANUF PART NUMBER	CLASS	UN	QUANTITY	CHANGES
R416	014752	RES HF 47K5 1% .12W 50PPM	HOLSWORTHY	H8C	A	EA	-	
R417	041005	RES HF 10M0 1% .12W 100PPM	STEATITE	MK2	A	EA	-	
R418	000100	RES CF 10R 5% .25W	NEOHM	CFR25	A	EA	2	
R419	011823	RES HF 182K 1% .12W 50PPM	HOLSWORTHY	H8C	A	EA	1	
R420	00C100	RES CF 10R 5% .25W	NEOHM	CFR25	A	EA	-	
R421	012218	RES HF 22R1 1% .12W 50PPM	HOLSWORTHY	H8C	A	EA	-	
R422	012218	RES HF 22R1 1% .12W 50PPM	HOLSWORTHY	H8C	A	EA	-	
R423	013921	RES HF 3K92 1% .12W 50PPM	HOLSWORTHY	H8C	A	EA	1	
R424	011002	RES HF 10K0 1% .12W 50PPM	HOLSWORTHY	H8C	A	EA	1	
R425	090162	RES PACK 270R x 4 2%	AB	77U-83-270R	A	EA	1	
R426	090170	RES PACK 470R x 4 2%	BECKMAN	LO8-3-R470	A	EA	1	
R427	013322	RES MP 33K2 1% .12W 50PPM	HOLSWORTHY	H8C	A	EA	-	
R428	012740	RES MP 274R 1% .12W 50PPM	HOLSWORTHY	H8C	A	EA	2	
R429	014750	RES MP 475R 1% .12W 50PPM	HOLSWORTHY	H8C	A	EA	-	
R430	046813	RES MP 681K 1% .12W 50PPM	HOLSWORTHY	H8C	A	EA	1	
R431	045623	RES MP 562K 1% .12W 50PPM	HOLSWORTHY	H8C	A	EA	-	
R432	090078	RES NTWK 470R x 7 2%	BECKMAN	LO8-1-R470	A	EA	1	
R433	012740	RES MP 274R 1% .12W 50PPM	HOLSWORTHY	H8C	A	EA	-	
R434	014750	RES MP 475R 1% .12W 50PPM	HOLSWORTHY	H8C	A	EA	-	
R435	011213	RES MP 121K 1% .12W 50PPM	HOLSWORTHY	H8C	A	EA	-	
R436	011000	RES MP 100R 1% .12W 50PPM	HOLSWORTHY	H8C	A	EA	-	
R437	012213	RES MP 221K 1% .12W 50PPM	HOLSWORTHY	H8C	A	EA	-	
R438	014751	RES MP 475R 1% .12W 50PPM	HOLSWORTHY	H8C	A	EA	-	
C101	120001	CAP PC 220NF 10% 1KV	SUFLEK	SN1380	A	EA	1	
C102	140076-1	CAP VAR 16PF	TRONSER	SEE DRG	A	EA	2	
C103	102228	CAP CD 2P2F +/-1PF 500V	BECK	CD08AG02P2FSCR/SK500 A	A	EA	1	
C104	140031	CAP GL 13PF 5% 500V	CORNING ELECTROSIL	CYFN10	A	EA	1	
C105	140062	CAP GL 10PF 5% 500V	CORNING ELECTROSIL	CYFN10	A	EA	1	
C106	100102	CAP CP 1NF 10% 100V	PHILIPS	2222 630 19102	A	EA	6	
C107	120034	CAP PC 220NF 1% 63V	ASHCROFT	A2822101B	A	EA	1	
C108	104037	CAP CD 22PF 10% 2KV	MURATA	DD0705G1220J2KV	A	EA	1	
C109	104034	CAP CD 47PF 20% 1KV	MURATA	DD0705G470J1KV	A	EA	1	
C110	100102	CAP CP 1NF 10% 100V	PHILIPS	2222 630 19102	A	EA	-	
C111	100101	CAP CD 100PF 2% 100V	PHILIPS	2222 683 34101	A	EA	7	
C112	110042	CAP PE 100NF 20% 63V	WIMA	MKS2	A	EA	12	
C113	110042	CAP PE 100NF 20% 63V	WIMA	MKS2	A	EA	-	
C114	150025	CAP DT 303F 20% 35V	AVX	TAP10M16F	A	EA	1	
C119	101103	CAP CD 10NF -20+80% 250V	BECK	CD10K110H02SCR/SK250	A	EA	6	
C120	110041	CAP PE 10NF 20% 100V	WIMA	PKS2	A	EA	1	
C121	104025	CAP CD 100NF +80%-20% 50V	SIEMENS	B37449	A	EA	18	
C122	104025	CAP CD 100NF +80%-20% 50V	SIEMENS	B37449	A	EA	-	
C123	140070	CAP GL 2N2F 1% 500V	CORNING ELECTROSIL	CYFM20	A	EA	1	
C124	100820	CAP CP 82PF 2% 100V	PHILIPS	2222 683 34825	A	EA	1	
C125	102270	CAP CD 27PF 5% 500V	BECK	CD10CG27P0M5SCR/SK500 A	A	EA	1	
C126	100270	CAP CP 27PF 2% 100V	PHILIPS	2222 683 34279	A	EA	2	

DESIG	PART NO	DESCRIPTION	PRINC MANUF	MANUF PART NUMBER	CLASS	UN	QUANTITY	CHANGES
C130	150025	CAP DT 303F 20% 35V	AVX	TAP3R3M35F	A	EA	3	
C132	150025	CAP DT 303F 20% 35V	AVX	TAP3R3M35F	A	EA	-	
C133	180041	CAP AE 100UF 40V	STEATITE	EKM 00FD 310G	A	EA	1	
C135	140076-1	CAP VAR 16PF	TRONSER	SEE DRG	A	EA	-	
C136	100228	CAP CP 2P2F +/-0P25F 100V	PHILIPS	2222 683 09228	A	EA	3	
C137	100228	CAP CP 2P2F +/-0P25F 100V	PHILIPS	2222 683 09228	A	EA	-	
C138	100108	CAP CP 1PF +/-0P25F 100V	PHILIPS	2222 683 03108	A	EA	1	
C139	100470	CAP CP 47PF 2% 100V	PHILIPS	2222 683 34479	A	EA	3	
C140	150025	CAP DT 303F 20% 35V	AVX	TAP3R3M35F	A	EA	-	
C142	100470	CAP CP 47PF 2% 100V	PHILIPS	2222 683 34479	A	EA	-	
C143	100470	CAP CP 47PF 2% 100V	PHILIPS	2222 683 34479	A	EA	-	
C146	140067	CAP GL 5P6F 5% 500V	CORNING ELECTROSIL	CYFN10	A	EA	1	
C147	104017	CAP CD 0P56F +/-0P1F 500V	ITT	GD08AG0P56BS	A	EA	3	
C148	104017	CAP CD 0P56F +/-0P1F 500V	ITT	GD08AG0P56BS	A	EA	-	
C149	102688	CAP CD 6P8F +/-0P5F 500V	BECK	CD08CG6P8B0SCR/SK500	A	EA	1	
C150	140072	CAP GL 47PF 1% 500V	CORNING ELECTROSIL	CYFN10	A	EA	1	
C151	140073	CAP SH 330PF 1% 400V	STC	454/51	A	EA	1	
C152	140071	CAP GL 470PF 1% 500V	CORNING ELECTROSIL	CYFN15	A	EA	1	
C153	140074	CAP SH 68PF +/-1PF 400V	STC	454/49	A	EA	2	
C154	110042	CAP PE 100NF 20% 63V	WIMA	MKS2	A	EA	-	
C155	110042	CAP PE 100NF 20% 63V	WIMA	MKS2	A	EA	-	
C156	102101	CAP CD 100PF 20% 500V	BECK	CD10WK100PHSCR/SK500 A	A	EA	1	
C157	110042	CAP PE 100NF 20% 63V	WIMA	MKS2	A	EA	-	
C158	110042	CAP PE 100NF 20% 63V	WIMA	MKS2	A	EA	-	
C159	100100	CAP CD 10PF 2% 100V	PHILIPS	2222 683 10109	A	EA	-	
C160	100101	CAP CD 100PF 2% 100V	PHILIPS	2222 683 34101	A	EA	-	
C161	150015	CAP DT 10UF 20% 35V	AVX	TAP10M35F	A	EA	8	
C162	150015	CAP DT 10UF 20% 35V	AVX	TAP10M35F	A	EA	-	
C163	120021	CAP PC 470NF 10% 63V	ASHCROFT	A284711B	A	EA	1	
C164	104025	CAP CD 100NF +80%-20% 50V	SIEMENS	B37449	A	EA	-	
C165	00000F	RES FSU				EA	-	
C166	104025	CAP CD 100NF +80%-20% 50V	SIEMENS	B37449	A	EA	-	
C167	104017	CAP CD 0P56F +/-0P1F 500V	ITT	GD08AG0P56BS	A	EA	-	
C168	150015	CAP DT 10UF 20% 35V	AVX	TAP10M35F	A	EA	-	
C169	140074	CAP SH 68PF +/-1PF 400V	STC	454/49	A	EA	-	
C170	10000F	CAP - FSU				EA	1	
C202	150006	CAP DT 4U7F 200% 16V	AVX	TAP4R7M16F	A	EA	2	
C202	150006	CAP DT 4U7F 200% 16V	AVX	TAP4R7M16F	A	EA	-	
C203	100338	CAP CP 3P3F 2% 100V	PHILIPS	2222 683 09338	A	EA	3	
C204	110042	CAP PE 100NF 20% 63V	WIMA	MKS2	A	EA	-	
C205	104051	CAP CD 2N2F 5% 100V	AVX	SR21COG	A	EA	1	
C206	150017	CAP DT 100UF 20% 16V	AVX	TAP100M16F	A	EA	5	
C207	110042	CAP PE 100NF 20% 63V	WIMA	MKS2	A	EA	-	
C208	100101	CAP CD 100PF 2% 100V	PHILIPS	2222 683 34101	A	EA	-	
C209	101103	CAP CD 10NF -20+80% 250V	BECK	CD10K110H02SCR/SK250	A	EA	-	

DESIG	PART NO	DESCRIPTION	PRINC MANUF	MANUF PART NUMBER	CLASS	UM	QUANTITY	CHANGES
C210	101103	CAP CD 10NF -20+80V 250V	BECK	CD10K310N0ZSCR/SK250			EA	
C211	00000H	NOT FITTED					EA	
C212	00000H	NOT FITTED					EA	
C213	100478	CAP CP 4P7F 2V 100V	PHILIPS	2222 683 09478			EA	4
C214	150017	CAP DT 100UF 20V 16V	AVX	TAP100M16P	A		EA	
C215	100338	CAP CP 3P3F 2V 100V	PHILIPS	2222 683 09338			EA	
C216	100338	CAP CP 3P3F 2V 100V	PHILIPS	2222 683 09338			EA	
C217	100478	CAP CP 4P7F 2V 100V	PHILIPS	2222 683 09478			EA	
C218	100478	CAP CP 4P7F 2V 100V	PHILIPS	2222 683 09478			EA	
C219	110042	CAP PE 100NF 20V 63V	WIMA	MKS2			EA	
C220	100221	CAP CP 220PF 2V 100V	PHILIPS	2222 683 58221			EA	1
C221	150017	CAP DT 100UF 20V 16V	AVX	TAP100M16P	A		EA	
C222	110042	CAP PE 100NF 20V 63V	WIMA	MKS2			EA	
C223	100101	CAP CD 100PF 2V 100V	PHILIPS	2222 683 34101			EA	
C224	101103	CAP CD 10NF -20+80V 250V	BECK	CD10K310N0ZSCR/SK250			EA	
C225	101103	CAP CD 10NF -20+80V 250V	BECK	CD10K310N0ZSCR/SK250			EA	
C226	150015	CAP DT 10UF 20V 35V	AVX	TAP10M35P	A		EA	
C227	150015	CAP DT 10UF 20V 35V	AVX	TAP10M35P	A		EA	
C228	100270	CAP CP 27PF 2V 100V	PHILIPS	2222 683 34279			EA	
C229	100478	CAP CP 4P7F 2V 100V	PHILIPS	2222 683 09478			EA	
C230	150017	CAP DT 100UF 20V 16V	AVX	TAP100M16P	A		EA	
C231	00000H	NOT FITTED					EA	
C232	00000H	NOT FITTED					EA	
C233	100188	CAP CP 1P8F +/- 0P25F 100V	PHILIPS	2222 693 09188			EA	1
C234	110035	CAP PE 220NF 20V 63V	WIMA	MKS2			EA	2
C235	110035	CAP PE 220NF 20V 63V	WIMA	MKS2			EA	
C237	102398	CAP CD 3P9F +/-0P5F 500V	BECK	CD08AG03P9D5CR/SK500	A		EA	1
C238	00000H	NOT FITTED					EA	
C301	110005	CAP PE 10NF 20V 250V	PHILIPS	C280AEP10K			EA	1
C303	110004	CAP PE 47NF 20V 250V	PHILIPS	C280AEP47K			EA	1
C304	104026	CAP CD 47NF +50%-20% 50V	SIEMENS	B37449			EA	2
C305	104026	CAP CD 47NF +50%-20% 50V	SIEMENS	B37449			EA	
C306	110010	CAP PE 220NF 20V 250V	PHILIPS	C280AEP220K			EA	2
C308	110010	CAP PE 220NF 20V 250V	PHILIPS	C280AEP220K			EA	
C317	110042	CAP PE 100NF 20V 63V	WIMA	MKS2			EA	
C318	150015	CAP DT 10UF 20V 35V	AVX	TAP10M35P	A		EA	
C319	150015	CAP DT 10UF 20V 35V	AVX	TAP10M35P	A		EA	
C320	150001	CAP DT 22UF 20V 16V	AVX	TAP22M16P	A		EA	1
C321	104025	CAP CD 100NF +80%-20% 50V	SIEMENS	B37449			EA	
C322	100226	CAP CP 22PF 2V 100V	PHILIPS	2222 683 34229			EA	1
C323	110009	CAP PE 1UF 20V 100V	WIMA	MKS			EA	1
C324	120029	CAP PC 68PF 20V 100V	WIMA	FKC2			EA	1
C401	104025	CAP CD 100NF +80%-20% 50V	SIEMENS	B37449			EA	
C402	150015	CAP DT 10UF 20V 35V	AVX	TAP10M35P	A		EA	
C403	100151	CAP CP 150PF 2V 100V	PHILIPS	2222 683 34151			EA	3

DESIG	PART NO	DESCRIPTION	PRINC MANUF	MANUF PART NUMBER	CLASS	UM	QUANTITY	CHANGES
C404	100151	CAP CP 150PF 2V 100V	PHILIPS	2222 683 34151			EA	
C405	100102	CAP CP 1NF 10V 100V	PHILIPS	2222 630 19102			EA	
C406	100150	CAP CP 15PF 2V 100V	PHILIPS	2222 683 10159			EA	2
C407	100102	CAP CP 1NF 10V 100V	PHILIPS	2222 630 19102			EA	
C408	100151	CAP CP 150PF 2V 100V	PHILIPS	2222 683 34151			EA	
C409	100101	CAP CD 100PF 2V 100V	PHILIPS	2222 683 34101			EA	
C410	100161	CAP CD 100PF 2V 100V	PHILIPS	2222 683 34161			EA	
C411	100161	CAP CD 100PF 2V 100V	PHILIPS	2222 683 34161			EA	
C412	120016	CAP PC 2N2P 20V 100V	WIMA	FKC2			EA	3
C413	120016	CAP PC 2N2P 20V 100V	WIMA	FKC2			EA	
C414	120016	CAP PC 2N2P 20V 100V	WIMA	FKC2			EA	
C415	104025	CAP CD 100NF +80%-20% 50V	SIEMENS	B37449			EA	
C416	100102	CAP CP 1NF 10V 100V	PHILIPS	2222 630 19102			EA	
C417	100330	CAP CP 33PF 2V 100V	PHILIPS	2222 683 34339			EA	3
C418	100150	CAP CP 15PF 2V 100V	PHILIPS	2222 683 10159			EA	
C419	100102	CAP CP 1NF 10V 100V	PHILIPS	2222 630 19102			EA	
C420	100330	CAP CP 33PF 2V 100V	PHILIPS	2222 683 34339			EA	
C421	100330	CAP CP 33PF 2V 100V	PHILIPS	2222 683 34339			EA	
C422	100228	CAP CP 2P2P +/-0P25F 100V	PHILIPS	2222 683 09228			EA	
C423	150016	CAP DT 1UF 20V 35V	AVX	TAP10M35P	A		EA	1
C424	110042	CAP PE 100NF 20V 63V	WIMA	MKS2			EA	
C425	100472	CAP CP 4P7F 10V 100V	PHILIPS	2222 630 19472			EA	1
C426	101103	CAP CD 10NF -20+80V 250V	BECK	CD10K310N0ZSCR/SK250			EA	
C427	100828	CAP CP 8PF +/-0P25F 100V	PHILIPS	2222 683 09828			EA	1
C428	104056	CAP CER IC 20NF 50V	ROGERS CORP	Q-14.20			EA	1
C429	150017	CAP DT 100UF 20V 16V	AVX	TAP100M16P	A		EA	
C430	104025	CAP CD 100NF +80%-20% 50V	SIEMENS	B37449			EA	
C431	104025	CAP CD 100NF +80%-20% 50V	SIEMENS	B37449			EA	
C432	104025	CAP CD 100NF +80%-20% 50V	SIEMENS	B37449			EA	
C433	102478	CAP CD 4P7F +/-5PF 500V	BECK	AG04P7D5CR/SK500D5G	A		EA	1
C434	104025	CAP CD 100NF +80%-20% 50V	SIEMENS	B37449			EA	
C435	104025	CAP CD 100NF +80%-20% 50V	SIEMENS	B37449			EA	
C436	104025	CAP CD 100NF +80%-20% 50V	SIEMENS	B37449			EA	
C437	104025	CAP CD 100NF +80%-20% 50V	SIEMENS	B37449			EA	
C438	102470	CAP CD 4P7F 5V 500V	BECK	CD10CH47P0H5CR/SK500	A		EA	1
C439	104025	CAP CD 100NF +80%-20% 50V	SIEMENS	B37449			EA	
C440	104025	CAP CD 100NF +80%-20% 50V	SIEMENS	B37449			EA	
D101	210100	DIODE 2N 10V 400mW	PHILIPS	BZX79C10	A		EA	2
D102	210100	DIODE 2N 10V 400mW	PHILIPS	BZX79C10	A		EA	
D103	213011	DIODE VR 1V5 250mW	PHILIPS	BZY46-1V5			EA	3
D104	210120	DIODE 2N 12V 400mW	PHILIPS	BZX79C12	A		EA	1
D105	200001	DIODE GP 75mA 75V	FAIRCHILD	1N4140			EA	12
D106	200001	DIODE GP 75mA 75V	FAIRCHILD	1N4140			EA	
D107	200001	DIODE GP 75mA 75V	FAIRCHILD	1N4140			EA	
D108	210068	DIODE 2N 6V0 400mW	PHILIPS	BZX79C6V8	A		EA	3

DESIG	PART NO	DESCRIPTION	PRINC MANUF	MANUF PART NUMBER	CLASS	UM	QUANTITY	CHANGES
D109	210075	DIODE ZN 7V5 400mW	PHILIPS	BZX79C7V5	A	EA	1	
D110	200001	DIODE GP 75mA 75V	FAIRCHILD	1N4148		EA	-	
D111	200001	DIODE GP 75mA 75V	FAIRCHILD	1N4148		EA	-	
D112	200001	DIODE GP 75mA 75V	FAIRCHILD	1N4148		EA	-	
D113	210033	DIODE ZN 3V3 400mW	PHILIPS	BZX79C3V3	A	EA	1	
D114	210033	DIODE ZN 3V3 400mW	PHILIPS	BZX79C3V3	A	EA	-	
D115	200028	DIODE SB 1A 30V	INT RECTIFIERS	11DQ04		EA	4	
D116	200028	DIODE SB 1A 30V	INT RECTIFIERS	11DQ04		EA	-	
D117	200028	DIODE SB 1A 30V	INT RECTIFIERS	11DQ04		EA	-	
D118	200028	DIODE SB 1A 30V	INT RECTIFIERS	11DQ04		EA	-	
D119	213011	DIODE VR 1V5 250mW	PHILIPS	BEV46-1V5		EA	-	
D120	200001	DIODE GP 75mA 75V	FAIRCHILD	1N4148		EA	-	
D121	200001	DIODE GP 75mA 75V	FAIRCHILD	1N4148		EA	-	
D122	200001	DIODE GP 75mA 75V	FAIRCHILD	1N4148		EA	-	
D123	220043	DIODE JFET 10mA	SILICONIX	JPAD100		EA	3	
D124	220043	DIODE JFET 10mA	SILICONIX	JPAD100		EA	-	
D125	230089	TRAN JFET I LIM 240uA	SILICONIX	J500		EA	1	
D128	210056	DIODE ZN 5V6 400mW	PHILIPS	BZX79C5V6	A	EA	1	
D129	200001	DIODE GP 75mA 75V	FAIRCHILD	1N4148		EA	-	
D130	210051	DIODE ZN 5V1 400mW	PHILIPS	BZX79C5V1	A	EA	1	
D203	213011	DIODE VR 1V5 250mW	PHILIPS	BEV46-1V5		EA	-	
D204	230058	TRAN JFET I LIM 750uA	SILICONIX	J504		EA	1	
D205	200008	DIODE GP 200mA 125V	FAIRCHILD	1N458A	A	EA	4	
D206	230049	TRAN JFET I LIM 560uA	SILICONIX	J503		EA	1	
D207	210068	DIODE ZN 6V8 400mW	PHILIPS	BZX79C6V8	A	EA	-	
D209	220010	DIODE GP SB	H.P.	1N5711	A	EA	2	
D210	220010	DIODE GP SB	H.P.	1N5711	A	EA	-	
D211	200008	DIODE GP 200mA 125V	FAIRCHILD	1N458A	A	EA	-	
D212	210068	DIODE ZN 6V8 400mW	PHILIPS	BZX79C6V8	A	EA	-	
D213	200001	DIODE GP 75mA 75V	FAIRCHILD	1N4148		EA	-	
D215	220043	DIODE JFET 10mA	SILICONIX	JPAD100		EA	-	
D216	200008	DIODE GP 200mA 125V	FAIRCHILD	1N458A	A	EA	-	
D309	200008	DIODE GP 200mA 125V	FAIRCHILD	1N458A	A	EA	-	
D401	200002	DIODE GP 1A 50V	FAIRCHILD	1N4001		EA	1	
D402	213009	DIODE ZN 15V 5W	UNITRODE	TVS515		EA	2	
D403	213009	DIODE ZN 15V 5W	UNITRODE	TVS515		EA	-	
D404	200001	DIODE GP 75mA 75V	FAIRCHILD	1N4148		EA	-	
D406	213006	DIODE ZN 5V 5W	UNITRODE	TVS505		EA	1	
Q101	230070	TRAN JFET N-CHAN DUAL	SILICONIX	2H5911		EA	1	
Q102	250004	TRAN PNP TO92	NATIONAL	2H3906		EA	4	
Q103	240006	TRAN NPN TO92	MOTOROLA	2N3904		EA	9	
Q104	230002	TRAN JFET N-CHAN	SILICONIX	J304		EA	2	
Q105	230002	TRAN JFET N-CHAN	SILICONIX	J304		EA	-	
Q106	240006	TRAN NPN TO92	MOTOROLA	2N3904		EA	-	
Q107	240006	TRAN NPN TO92	MOTOROLA	2N3904		EA	-	

DESIG	PART NO	DESCRIPTION	PRINC MANUF	MANUF PART NUMBER	CLASS	UM	QUANTITY	CHANGES
Q108	240013	TRAN NPN TO18	NATIONAL	BC184C/TO18		EA	1	
Q109	250008	TRAN PNP TO18	NATIONAL	BC214C/TO18		EA	3	
Q112	230003	TRAN JFET N-CHAN	TELEDYNE	U1899JP		EA	1	
Q113	240006	TRAN NPN TO92	MOTOROLA	2N3904		EA	-	
Q114	239091-1	TRAN JFET SET N-CHAN	DATRON	SEE DRG.		S2	1	
Q115	230056	TRAN JFET N-CHAN	TELEDYNE	J212		EA	2	
Q116	230035	TRAN JFET N-CHAN	TELEDYNE	U1897JP		EA	2	
Q117	230035	TRAN JFET N-CHAN	TELEDYNE	U1897JP		EA	-	
Q118	250004	TRAN PNP TO92	NATIONAL	2H3906		EA	-	
Q119	239091-1	TRAN JFET SET N-CHAN	DATRON	SEE DRG.		S2	-	
Q120	240006	TRAN NPN TO92	MOTOROLA	2N3904		EA	-	
Q121	230056	TRAN JFET N-CHAN	TELEDYNE	J212		EA	-	
Q201	240020	TRAN NPN DUAL	PHI	MT0101CH		EA	1	
Q204	240006	TRAN NPN TO92	MOTOROLA	2N3904		EA	-	
Q205	240040	TRAN NPN	MOTOROLA	2N5179		EA	1	
Q206	250008	TRAN PNP TO18	NATIONAL	BC214C/TO18		EA	-	
Q207	250004	TRAN PNP TO92	NATIONAL	2H3906		EA	-	
Q208	240006	TRAN NPN TO92	MOTOROLA	2N3904		EA	-	
Q209	240029	TRAN NPN	MOTOROLA	BC546		EA	1	
Q210	240041	TRAN NPN	MOTOROLA	BF374		EA	1	
Q211	250008	TRAN PNP TO18	NATIONAL	BC214C/TO18		EA	-	
Q212	250004	TRAN PNP TO92	NATIONAL	2H3906		EA	-	
Q213	240006	TRAN NPN TO92	MOTOROLA	2N3904		EA	-	
Q401	230086	TRAN MOSFET P-CHAN 60V	FERRANTI	ZVP2106A		EA	2	
Q402	230086	TRAN MOSFET P-CHAN 60V	FERRANTI	ZVP2106A		EA	-	
Q403	240006	TRAN NPN TO92	MOTOROLA	2N3904		EA	-	
Q404	230081	TRAN MOSFET N-CHAN	FERRANTI	ZVN0106A	A	EA	1	
H101	260082	IC LIN OP AMP CHOPPER	LINEAR TECHNOLOGY	LT1012CN8		EA	1	
H102	260105	IC LIN OP AMP FET 1P DUAL	BURR BROWN	OPA605KH		EA	1	
H103	260105	IC LIN OP AMP DUAL	MOTOROLA	MC34082P		EA	1	
H104	260073	IC LIN OP AMP	NATIONAL	LF411CN		EA	1	
H201	260103	IC LIN OP AMP	PRECISION MONOLITHIC	OP77EP		EA	3	
H202	260103	IC LIN OP AMP	PRECISION MONOLITHIC	OP77EP		EA	-	
H301	260108	IC LIN OP AMP	LINEAR TECHNOLOGY	LT1012CN8		EA	4	
H302	260116	IC DIG MULTIPLEXER 8-CHAN	SILICONIX	DG509ACJ		EA	2	
H303	260107	IC LIN OP AMP	PRECISION MONOLITHIC	OP07CP		EA	1	
H304	260116	IC DIG MULTIPLEXER 8-CHAN	SILICONIX	DG509ACJ		EA	-	
H305	260108	IC LIN OP AMP	LINEAR TECHNOLOGY	LT1012CN8		EA	-	
H306	260108	IC LIN OP AMP	LINEAR TECHNOLOGY	LT1012CN8		EA	-	
H307	290170-1	RMS KIT SELECTED	DATRON	SEE DRG		EA	1	
H308	260108	IC LIN OP AMP	LINEAR TECHNOLOGY	LT1012CN8		EA	-	
H401	280132	IC DIG ULA SERIAL TX/RX	PLESSEY	CLA3106		EA	3	
H402	280132	IC DIG ULA SERIAL TX/RX	PLESSEY	CLA3106		EA	-	
H403	280132	IC DIG ULA SERIAL TX/RX	PLESSEY	CLA3106		EA	-	
H404	290089	IC DIG 7 X DARLINGTON DRIVER	SPRAGUE/EXAR	ULN2003A/XR2203CP		EA	1	

DESIG	PART NO	DESCRIPTION	PRINC MANUF	MANUF PART NUMBER	CLASS	UM	QUANTITY	CHANGES
M406	160039	IC LIN OP AMP QUAD	NATIONAL	LM324N	EA		1	
M407	280152	IC DIG SCHMIDT HAND2 QUAD	MOTOROLA	MC1493BCP	EA		1	
M408	280160	IC DIG FLIP/FLOP JK DUAL HCT	TEXAS	74MCT74	EA		1	
M409	260049	IC LIN V COMP DIAL	NATIONAL	LM319N	EA		1	
M410	290149	IC DIG CMOS TIMER	INTERMIL	ICM7555 1PA	EA		1	
M411	280102	IC DIG COUNTER BIN	SIGNETICS	HEF4020BP	EA		1	
M412	280131	IC DIG F/LL ULA	PLESSEY	CLA5532	EA		1	
RL101	330031	RELAY 2PHO 2PNC	SDS	S2-24V	EA		1	
RL102	330031	RELAY 2PHO 2PNC	SDS	S2-24V	EA		1	
RL103	330031	RELAY 2PHO 2PNC	SDS	S2-24V	EA		1	
RL104	330049-1	RELAY 1PHO REED GUARDED	GEITECH	SEE DRG	EA		3	
RL105	330049-1	RELAY 1PHO REED GUARDED	GEITECH	SEE DRG	EA		1	
RL106	330049-1	RELAY 1PHO REED GUARDED	GEITECH	SEE DRG	EA		1	
RL107	330031	RELAY 2PHO 2PNC	SDS	S2-24V	EA		1	
PL30	604075	PLUG PCB 6-WAY .1"	MOLEX	22-29-2061	EA		1	
PL31	604074	PLUG PCB 3-WAY .1"	MOLEX	22-29-3031	EA		1	
PL32	604033	PLUG PCB 4-WAY .1"	MOLEX	22-29-2041	EA		1	
PL33	604076	PLUG PCB 16-WAY .1"X.1" GRID	JM	3599-6002 UN	EA		1	
TL101	620013-1	TEST LOOP	DATRON	SEE DRG	EA		10	
TL102	620013-1	TEST LOOP	DATRON	SEE DRG	EA		1	
TL103	620013-1	TEST LOOP	DATRON	SEE DRG	EA		1	
TL104	620013-1	TEST LOOP	DATRON	SEE DRG	EA		1	
TL105	620013-1	TEST LOOP	DATRON	SEE DRG	EA		1	
TL106	620013-1	TEST LOOP	DATRON	SEE DRG	EA		1	
TL107	620013-1	TEST LOOP	DATRON	SEE DRG	EA		1	
TP101	620007	TEST POINT TERMINAL	MICROVAR	TYPE C30	EA		29	
TP102	620007	TEST POINT TERMINAL	MICROVAR	TYPE C30	EA		1	
TP103	620007	TEST POINT TERMINAL	MICROVAR	TYPE C30	EA		1	
TP104	620007	TEST POINT TERMINAL	MICROVAR	TYPE C30	EA		1	
TP105	620007	TEST POINT TERMINAL	MICROVAR	TYPE C30	EA		1	
TP106	620007	TEST POINT TERMINAL	MICROVAR	TYPE C30	EA		1	
TP108	620007	TEST POINT TERMINAL	MICROVAR	TYPE C30	EA		1	
TP109	620007	TEST POINT TERMINAL	MICROVAR	TYPE C30	EA		1	
TP110	620007	TEST POINT TERMINAL	MICROVAR	TYPE C30	EA		1	
TP111	620007	TEST POINT TERMINAL	MICROVAR	TYPE C30	EA		1	
TP213	620007	TEST POINT TERMINAL	MICROVAR	TYPE C30	EA		1	
TP214	620007	TEST POINT TERMINAL	MICROVAR	TYPE C30	EA		1	
TP215	620007	TEST POINT TERMINAL	MICROVAR	TYPE C30	EA		1	
TP216	620007	TEST POINT TERMINAL	MICROVAR	TYPE C30	EA		1	
TP217	620007	TEST POINT TERMINAL	MICROVAR	TYPE C30	EA		1	
TP218	620007	TEST POINT TERMINAL	MICROVAR	TYPE C30	EA		1	
TP232	620007	TEST POINT TERMINAL	MICROVAR	TYPE C30	EA		1	

DESIG	PART NO	DESCRIPTION	PRINC MANUF	MANUF PART NUMBER	CLASS	UM	QUANTITY	CHANGES
TP319	620007	TEST POINT TERMINAL	MICROVAR	TYPE C30	EA		1	
TP320	620007	TEST POINT TERMINAL	MICROVAR	TYPE C30	EA		1	
TP422	620007	TEST POINT TERMINAL	MICROVAR	TYPE C30	EA		1	
TP423	620007	TEST POINT TERMINAL	MICROVAR	TYPE C30	EA		1	
TP424	620007	TEST POINT TERMINAL	MICROVAR	TYPE C30	EA		1	
TP425	620007	TEST POINT TERMINAL	MICROVAR	TYPE C30	EA		1	
TP426	620007	TEST POINT TERMINAL	MICROVAR	TYPE C30	EA		1	
TP427	620007	TEST POINT TERMINAL	MICROVAR	TYPE C30	EA		1	
TP428	620007	TEST POINT TERMINAL	MICROVAR	TYPE C30	EA		1	
TP429	620007	TEST POINT TERMINAL	MICROVAR	TYPE C30	EA		1	
TP430	620007	TEST POINT TERMINAL	MICROVAR	TYPE C30	EA		1	
TP431	620007	TEST POINT TERMINAL	MICROVAR	TYPE C30	EA		1	
X401	800036	CRYSTAL OSC 4.000MHz	EURO-QUARTZ	EQKQ-1100HC	EA		1	
	400753-1	ASSY CABLE SIG 1P 1281	DATRON	SEE DRG	EA		1	
	400757-1	ASSY CABLE RIBBON 16W	DATRON	SEE DRG	EA		1	
	410365-1	PCB AC 1281		SEE DRG	EA		1	
	450568-4	GUARD SHIELD AC 1281		SEE DRG	EA		1	
	512999	WIRE 7/.2 PTFE 1KV WHI	BSG210	TYPE C	AR		80	
	540002	WIRE 1/.7 TINNED COPPER	B54109	225WG	AR		1	
	560002	CABLE AX 2.54mm 7/34AWG	MIL-C17D	RG174U	MH		95	
	590004	SLEEVE PTFE 1mm BLK	HELLERMAN	FE10	AR		1	
	590074	SLEEVE SOLDER DIAM.3.0	RAYFAST	CMT-3	EA		2	
	602001	TERMINAL FSV	MOLEX	02-04-5114	EA		4	
	605059	SOCKET PCB 8-WAY DIL	JERMYN	J23-18008	A		6	
	605060	SOCKET PCB 14-WAY DIL	JERMYN	J23-18014	A		4	
	605061	SOCKET PCB 16-WAY DIL	JERMYN	J23-18016	A		4	
	605062	SOCKET PCB 18-WAY DIL	JERMYN	J23-18018	A		3	
	605065	SOCKET PCB 28 WAY DIL	JERMYN	J23-18028	A		1	
	611015	SCREW M3 X 8 POLYCSK SEP			EA		4	
	612031-1	STANDOFF M3 X 16	DATRON	SEE DRG	EA		4	
	613017	WASHER M3 NYL.			EA		1	
	620002	STANDOFF PTFE INSUL.	SEAELECTRO	013-1000-040519	A		3	
	620005	CLOVERLEAF LARGE PTFE	SEAELECTRO	011-6809-040599	A		13	
	630024	BEAD CERAMIC 16 5MG	PARK ROYAL PORCELAIN	No2	EA		6	
	630107	STRIP BRASS 15.5 X 0.38mm	RIGHTON	CE108 1/2H	MH		222	
	630243	BEAD GLASS 2.4 X 0.81 X 1.8	MANSOL (PREFORMS) LT	M5363B/3	EA		28	
	630276	BUSH	HEYCO	2617	EA		1	
	900004	SILICONE RUBBER COMPOUND	RS	555-588	AR		1	
	920202	HEATSINK	REDPOINT	SF	EA		2	
	420098	LABEL SERIAL/ASSY No.	RS	554-793	EA		1	
	540006	WIRE 1/.4 BLACK PTFE 250V	BSG210	TYPE A	AR		1	

End

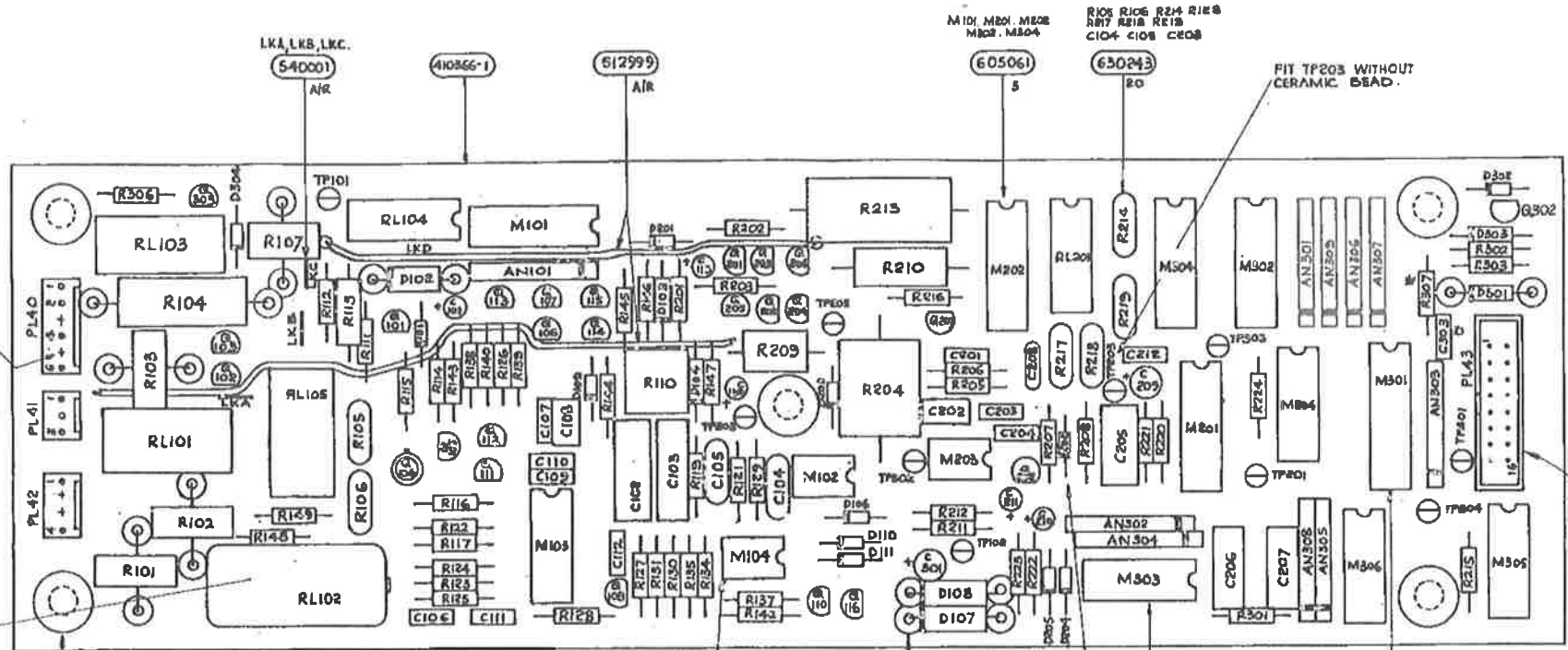
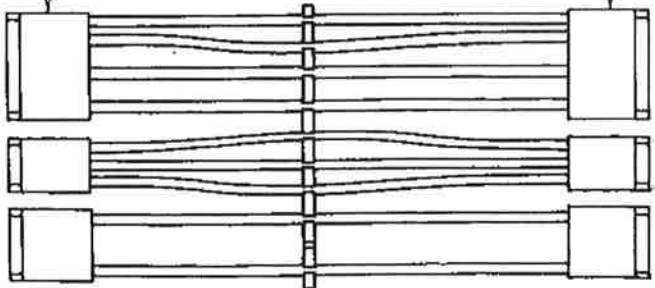


REMOVE PARTS SHOWN TYPES: +

FIX SERIAL NO LABEL
440058 TO RL102.

400753 FITTED AFTER
FLOW SOLDERING.

PLUS THIS END INTO
COMPLETED ASSY



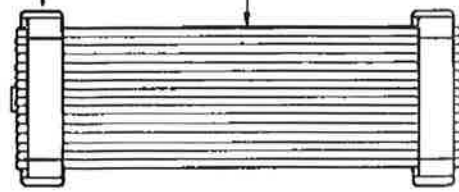
COMPONENT NOT FITTED

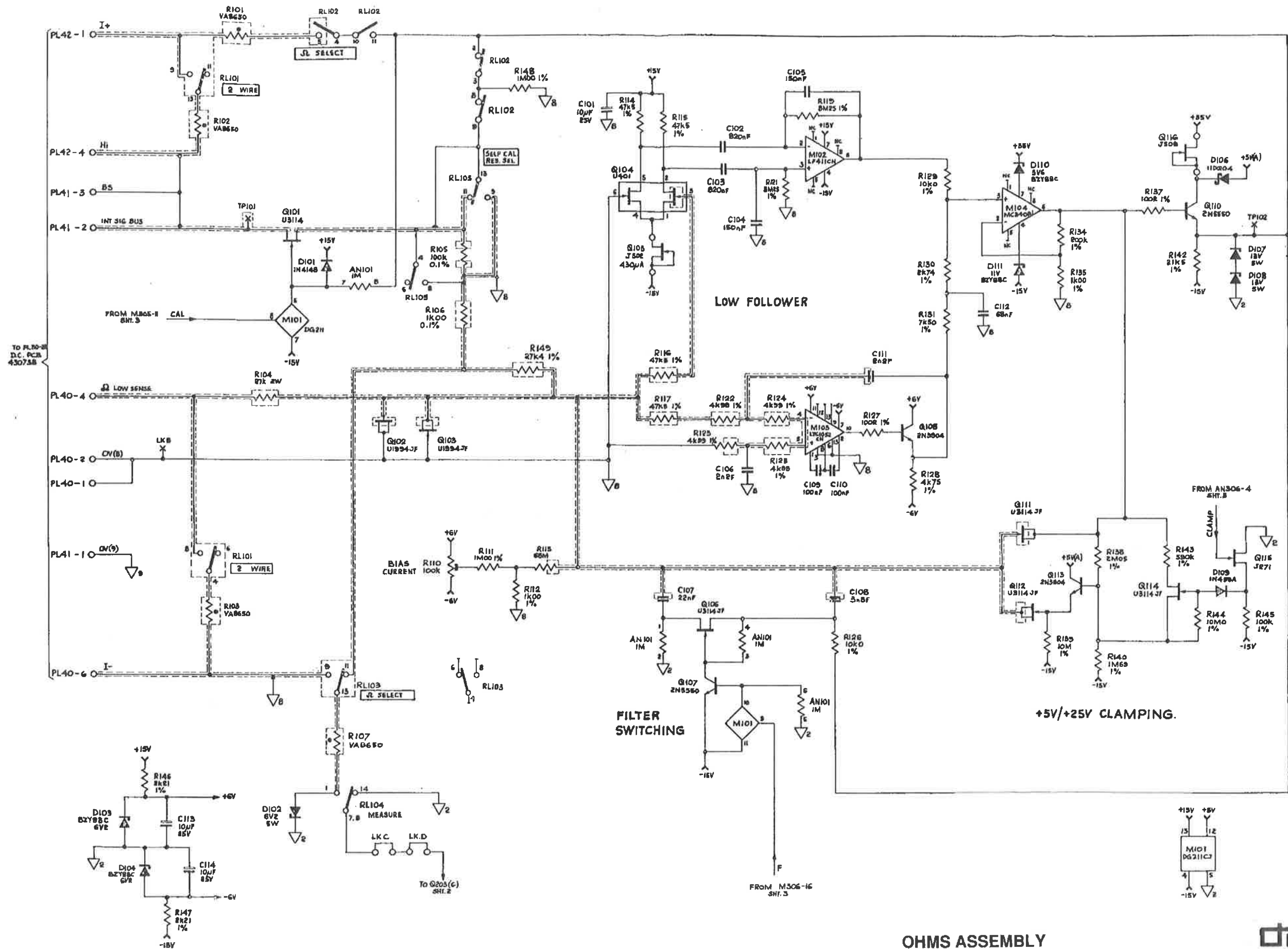
2 PER LEAD ON
R101, R102, R103, R107, R104
1 PER LEAD ON
D102, D107, D108, D101.

FORM D202 ANODE INTO
TEST LOOP BEFORE FITTING

FILE THIS END INTO
COMPLETED ASSY.

400757 FITTED AFTER
FLOW SOLDERING.





OHMS ASSEMBLY

Low Follower

Drawing No. 430742

Sheet 1 of 3



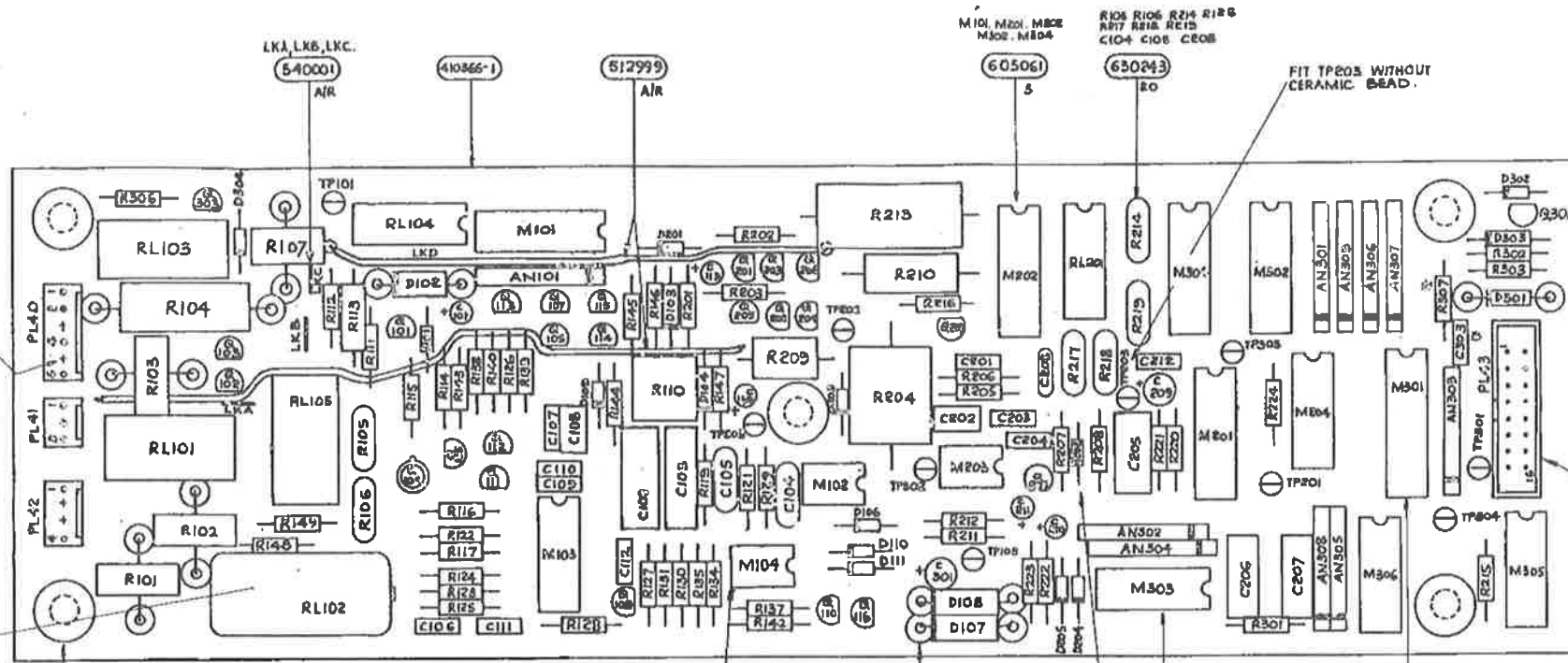
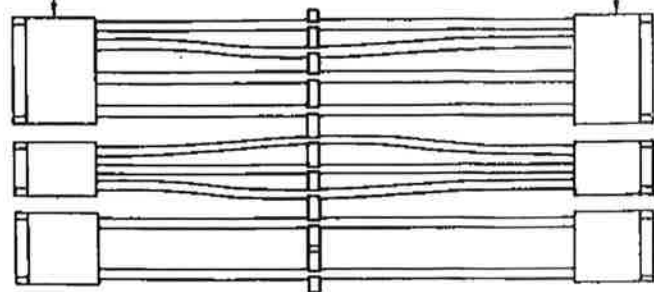
© Datron Instruments 1989

REMOVE PINS SHOWN THIS :

FIX SERIAL NO LABEL
480058 TO RL102.

400753 FITTED AFTER
FLOW SOLDERING.

PLUS THIS END INTO
COMPLETED ASSY



M101, M201, M301
M302, M304

605061

R105, R106, R214, R126
R117, R118, R115
C104, C105, C205

630243

FIT TP203 WITHOUT
CERAMIC BEAD.

* COMPONENT NOT FITTED

605055

M102, M104

630024

EPER LEAD ON
R101, R102, R103, R107, R104
1 PAR LEAD ON
D108, D107, D108, D101.

605060

M308, M204,
M305, M306.

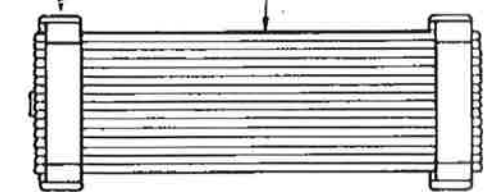
FORM D202 ANODE INTO
TEST LOOP BEFORE FITTING

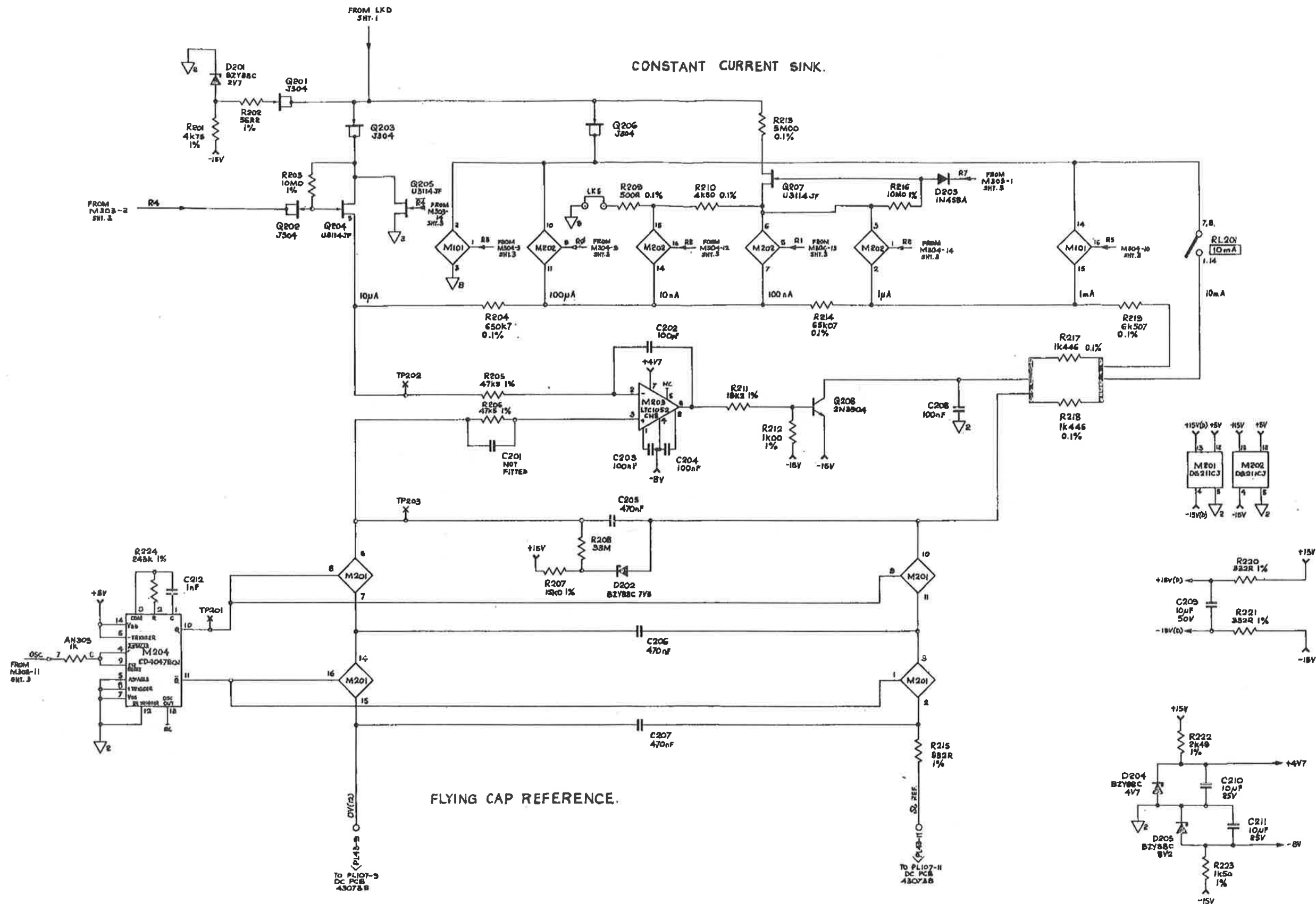
605062

PLUS THIS END INTO
COMPLETED ASSY.

400757

FITTED AFTER
FLOW SOLDERING.





OHMS ASSEMBLY
 Constant Current Sink
 Drawing No. 430742

Sheet 2 of 3



© Datron Instruments 1989

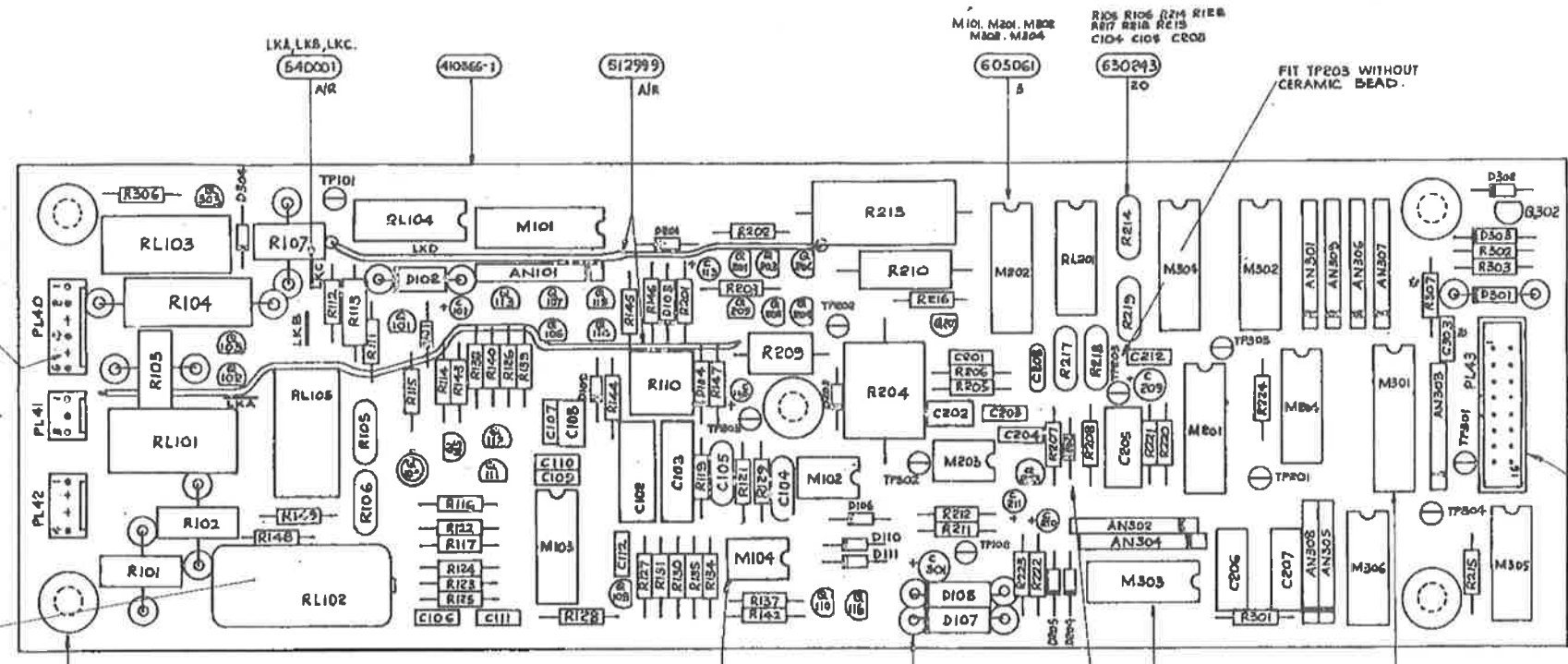
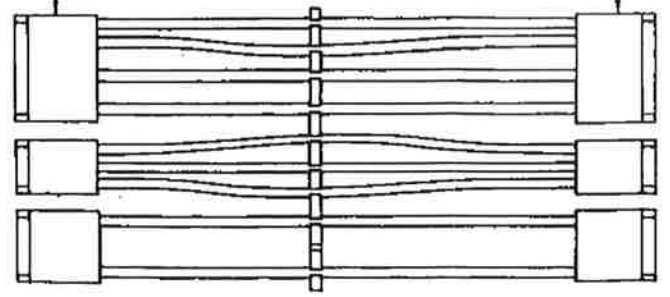
1271

REMOVE PINS SHOWN THIS: +

FIX SERIAL NO LABEL 470058 TO RL102.

400753 FITTED AFTER FLOW SOLDERING.

PLUG THIS END INTO COMPLETED ASSY



FIT TP203 WITHOUT CERAMIC BEAD.

* COMPONENT NOT FITTED

605055 M102, M104

630024 2 PER LEAD ON R101, R102, R103, R107, R104
1 PER LEAD ON D108, D107, D108, D101.

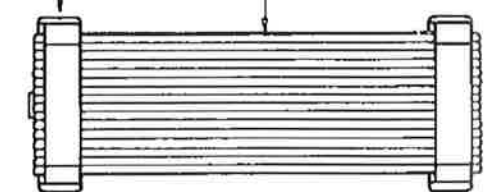
605060 M203, M204, M205, M206.

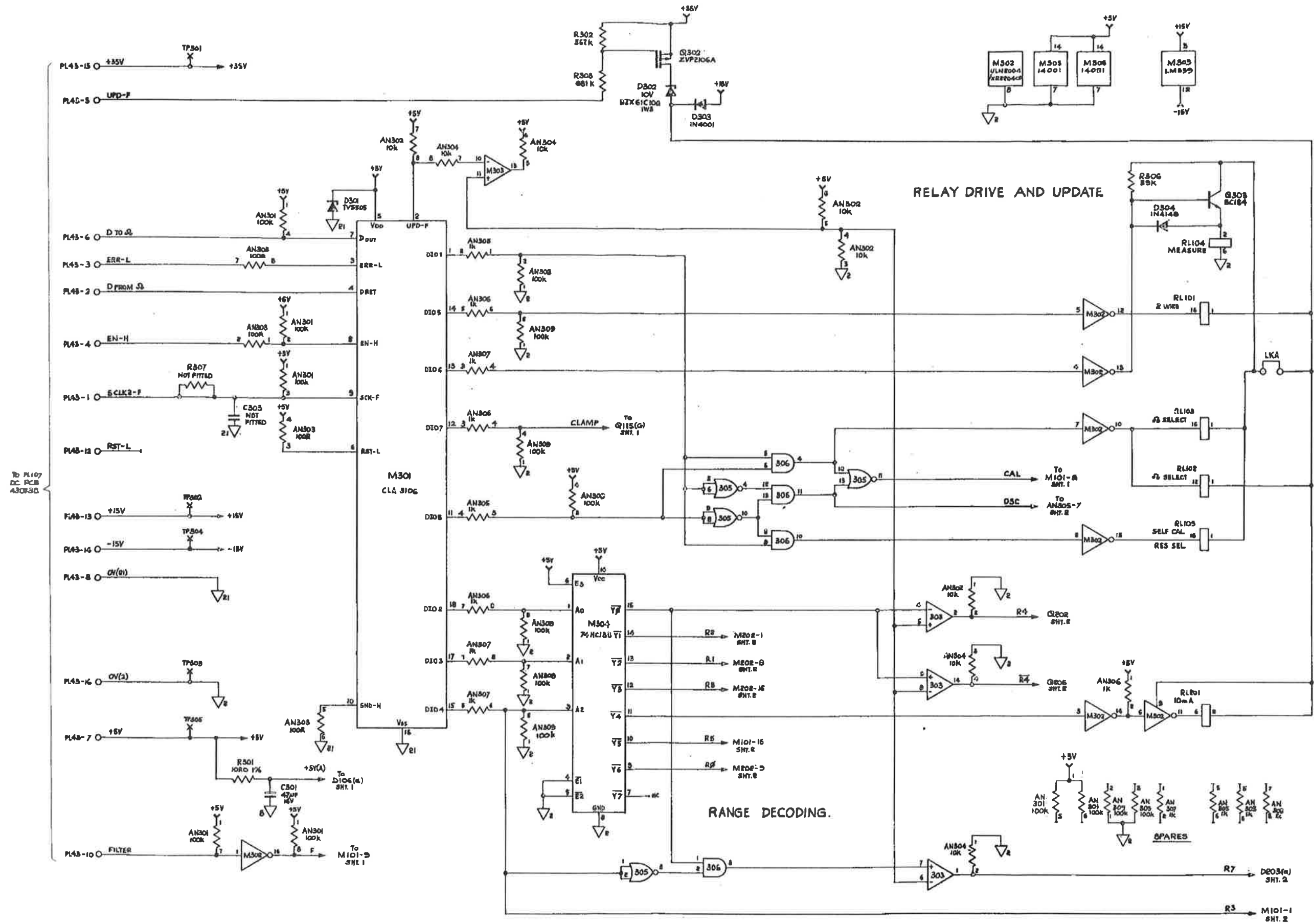
FORM D202 ANODE INTO TEST LOOP BEFORE FITTING

605062

PLUG THIS END INTO COMPLETED ASSY.

400757 FITTED AFTER FLOW SOLDERING.





OHMS ASSEMBLY

Control Logic

Drawing No. 430742

Sheet 3 of 3



© Datron Instruments 1989

1271



DRAWING NO 400742		CHG D	1.0 12682 200287 me	1.1 2706 9 Dec 97 AP	1.2 2750 29.1.86 AP	1.3 2770 12 FEB 86 AP	1.4 2777 17 FEB 86 AP	1.5 2804 21 MAR 86 AP	1.6 2825 21.3.85 AP	1.7 2862 29 APR 86 AP	1.8 2893 11 MAY 86 AP	2.0 2977 15 AUG 86 AP	
DATE		DATE	1.0 2694 11 NOV 81 AP	1.1 2706 9 Dec 97 AP	1.2 2750 29.1.86 AP	1.3 2770 12 FEB 86 AP	1.4 2777 17 FEB 86 AP	1.5 2804 21 MAR 86 AP	1.6 2825 21.3.85 AP	1.7 2862 29 APR 86 AP	1.8 2893 11 MAY 86 AP	2.0 2977 15 AUG 86 AP	
E.D.C.		REVISION	1.0 2694 11 NOV 81 AP	1.1 2706 9 Dec 97 AP	1.2 2750 29.1.86 AP	1.3 2770 12 FEB 86 AP	1.4 2777 17 FEB 86 AP	1.5 2804 21 MAR 86 AP	1.6 2825 21.3.85 AP	1.7 2862 29 APR 86 AP	1.8 2893 11 MAY 86 AP	2.0 2977 15 AUG 86 AP	
ISSUE		ISSUE	1.0 2694 11 NOV 81 AP	1.1 2706 9 Dec 97 AP	1.2 2750 29.1.86 AP	1.3 2770 12 FEB 86 AP	1.4 2777 17 FEB 86 AP	1.5 2804 21 MAR 86 AP	1.6 2825 21.3.85 AP	1.7 2862 29 APR 86 AP	1.8 2893 11 MAY 86 AP	2.0 2977 15 AUG 86 AP	
SECTION	DRAWING NUMBER	SHEET NUMBER	ISSUE - REVISION										
COMPONENT AYOUT	480742	1	1.0	1.1	1.2	1.3	1.4	1.5	1.6	1.7	1.8		
P.	400742	ALL	1.0	1.1	1.2	1.3	1.4	1.5	1.6	1.7	1.8		
MEMATIC	430742	1	1.0	1.1	1.2	1.3	1.4	1.5	1.6	1.7	1.8		
MEMATIC	430742	2	1.0	1.1	1.2	1.3	1.4	1.5	1.6	1.7	1.8		
MEMATIC	430742	3	1.0	1.1	1.2	1.3	1.4	1.5	1.6	1.7	1.8		
OPTIONAL BY PROC.	460742/ft	ALL	1.0	1.1	1.2	1.3	1.4	1.5	1.6	1.7	1.8		
NC TEST X LIST	470742/ft	142	1.0	1.1	1.2	1.3	1.4	1.5	1.6	1.7	1.8		
PCB	410366	1	C										
REVISIONS: NO CHANGE TO DOCS AT ISSUE LEVEL CHANGE			datron		PRN DATE 2 JUN 87	CHKD DATE 11 Jul 87	REC DATE 27 Oct 87	TITLE 1281 OHMS PCB ASSY		DRAWING NO 400742 SHEET 1 OF 1			

19 AUG 1988

DATRON INSTRUMENTS LTD PARTS LIST 15-AUG-88 DESC: ASSY PCB OHMS 1281 DRG NO: LP400742-2 REV: 0 PAGE NO: 1

DESIG	PART NO	RV	DESCRIPTION	PRINC MANUF	MANUF PART NUMBER	CLASS	UN	QUANTITY	CHANGES
R101	090001	C	THERMISTOR PTC 6GR	MULLARD	VA8650		A	EA 4	
R102	090001	0	THERMISTOR PTC 6OR	MULLARD	VA8650		A	EA -	
R103	090001	0	THERMISTOR PTC 6OR	MULLARD	VA8650		A	EA -	
R104	008012	0	RES CF 27K 5% 2W	PIHER	PRO2-5		A	EA 1	
R105	080087-1	0	RES FL 100K .1A .2PPH	VISHAY MANN	SEE DRG		A	EA 1	
R106	080086-1	0	RES FL 1K00 .1A 1PPH	VISHAY MANN	SEE DRG		A	EA 1	
R107	090001	0	THERMISTOR PTC 6OR	MULLARD	VA8650		A	EA -	
R110	063104	0	RES CT 100K HORIZ S/T	BECKMAN	72P		A	EA 3	
R111	041004	0	RES MF 1K00 1% .12W 50PPH	HOLSWORTHY	H8C		A	EA 2	
R112	011001	0	RES MF 1K00 1% .12W 50PPH	HOLSWORTHY	H8C		A	EA 3	
R113	000686	0	RES HN 68K 5% .25W	ALLEN BRADLEY	CD		A	EA 1	
R115	014752	0	RES HF 47K5 1% .12W 50PPH	HOLSWORTHY	H8C		A	EA 6	
R116	014752	0	RES HF 47K5 1% .12W 50PPH	HOLSWORTHY	H8C		A	EA -	
R117	014752	0	RES HF 47K5 1% .12W 50PPH	HOLSWORTHY	H8C		A	EA -	
R119	048254	0	RES MF 8M25 1% .12W 100PPH	STEATITE	MK2		A	EA 2	
R121	048254	0	RES MF 8M25 1% .12W 100PPH	STEATITE	MK2		A	EA -	
R122	014991	0	RES MF 4K99 1% .12W 50PPH	HOLSWORTHY	H8C		A	EA 4	
R123	014991	0	RES MF 4K99 1% .12W 50PPH	HOLSWORTHY	H8C		A	EA -	
R124	014991	0	RES MF 4K99 1% .12W 50PPH	HOLSWORTHY	H8C		A	EA -	
R125	014991	0	RES MF 4K99 1% .12W 50PPH	HOLSWORTHY	H8C		A	EA -	
R126	011002	0	RES MF 10K0 1% .12W 50PPH	HOLSWORTHY	H8C		A	EA 2	
R127	011000	0	RES MF 10R0 1% .12W 50PPH	HOLSWORTHY	H8C		A	EA 2	
R128	014751	0	RES MF 4K75 1% .12W 50PPH	HOLSWORTHY	H8C		A	EA 2	
R129	011002	0	RES MF 10K0 1% .12W 50PPH	HOLSWORTHY	H8C		A	EA -	
R130	012741	0	RES MF 2K74 1% .12W 50PPH	HOLSWORTHY	H8C		A	EA 1	
R131	017501	0	RES MF 7K50 1% .12W 50PPH	HOLSWORTHY	H8C		A	EA 1	
R134	012003	0	RES MF 200K 1% .12W 50PPH	HOLSWORTHY	H8C		A	EA 1	
R135	011001	0	RES MF 10K0 1% .12W 50PPH	HOLSWORTHY	H8C		A	EA -	
R137	011003	0	RES MF 10R0 1% .12W 50PPH	HOLSWORTHY	H8C		A	EA -	
R138	042054	0	RES HF 2M05 1% .12W 100PPH	HOLSWORTHY	H8C		A	EA 1	
R139	041005	0	RES MF 10M0 1% .12W 100PPH	STEATITE	MK2		A	EA 4	
R140	041694	0	RES MF 1M69 1% .12W 100PPH	HOLSWORTHY	H8C		A	EA 1	
R142	012152	0	RES MF 21K5 1% .12W 50PPH	HOLSWORTHY	H8C		A	EA 1	
R143	045903	0	RES MF 590K 1% .12W 50PPH	HOLSWORTHY	H8C		A	EA 1	
R144	041005	0	RES HF 10M0 1% .12W 100PPH	STEATITE	MK2		A	EA 1	
R145	011003	0	RES MF 10K0 1% .12W 50PPH	HOLSWORTHY	H8C		A	EA 2	
R146	012211	0	RES MF 2K21 1% .12W 50PPH	HOLSWORTHY	H8C		A	EA -	
R147	012211	0	RES MF 2K21 1% .12W 50PPH	HOLSWORTHY	H8C		A	EA -	
R148	041004	0	RES MF 1M00 1% .12W 50PPH	HOLSWORTHY	H8C		A	EA -	
R149	012742	0	RES MF 27K4 1% .12W 50PPH	HOLSWORTHY	H8C		A	EA 1	
R201	014751	0	RES MF 4K75 1% .12W 50PPH	HOLSWORTHY	H8C		A	EA 1	
R202	015628	0	RES MF 56R2 1% .12W 50PPH	HOLSWORTHY	H8C		A	EA 1	
R203	041005	0	RES MF 10M0 1% .12W 100PPH	STEATITE	MK2		A	EA -	
R204	080091-1	0	RES FL 650K7 .1A .5PPH	VISHAY MANN	SEE DRG		A	EA 1	

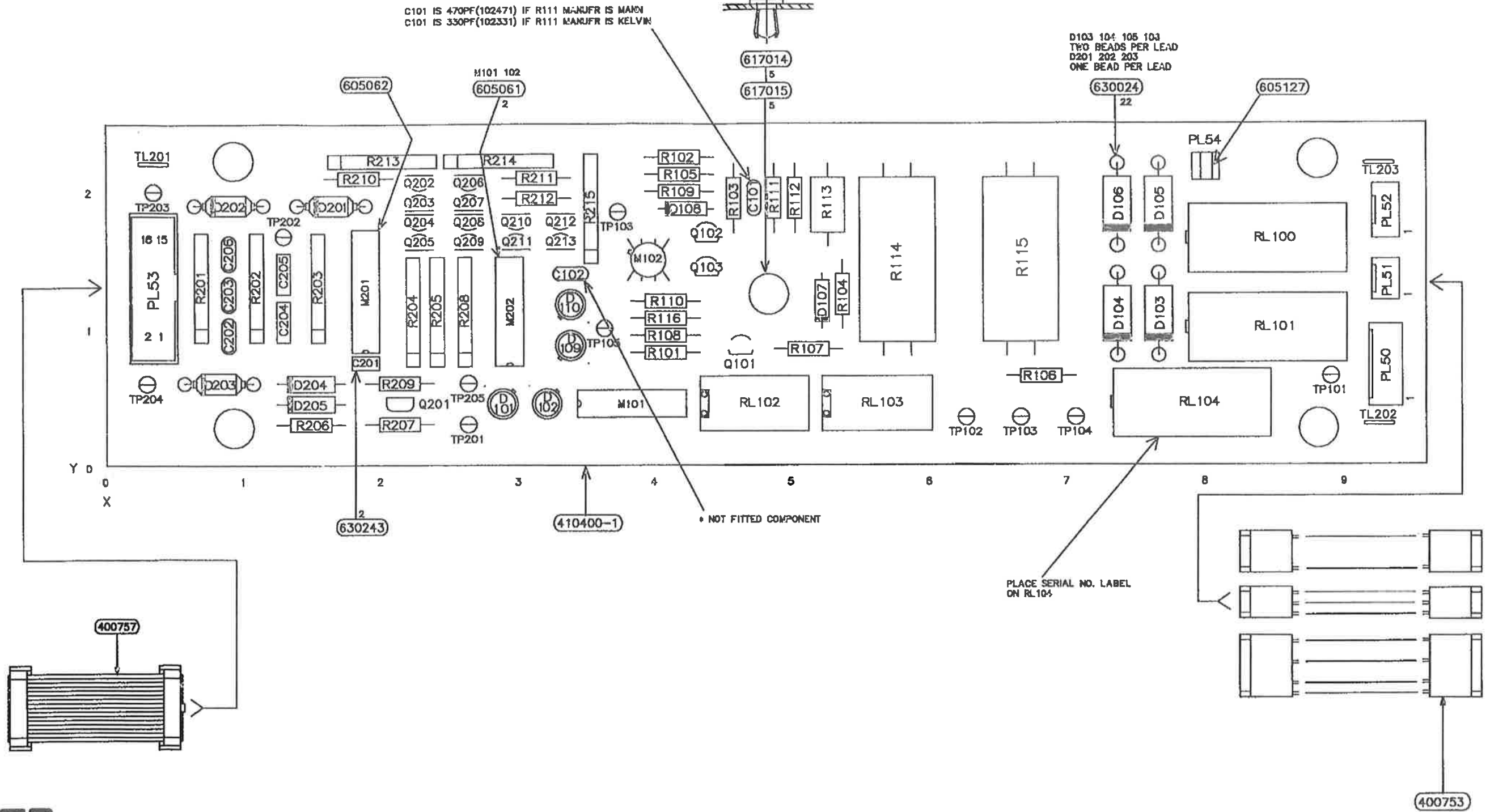
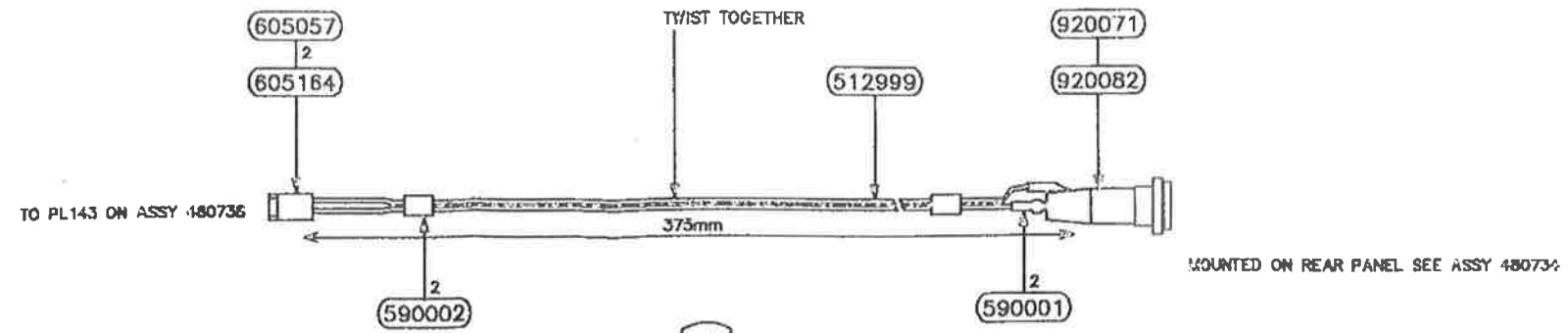
DESIG	PART NO	RV	DESCRIPTION	PRINC MANUF	MANUF PART NUMBER	CLASS	UM	QUANTITY	CHANGES
R205	614752	0	RES HF 47K5 1% .12W 50PPH	HOLSWORTHY	HBC	A	EA		
R206	014752	0	RES HF 47K5 1% .12W 50PPH	HOLSWORTHY	HBC	A	EA		
R207	0115C2	0	RES HF 15K0 1% .12W 50PPH	HOLSWORTHY	HBC	A	EA		
R208	0C0336	0	RES HM 33M 5% .25W	ALLEN BRADLEY	CB	A	EA		
R209	090146-1	0	RES FL SET 5M/4K5/500R	VISHAY MANN	SEE DRG	A	S3	1	
R21C	090146-1	0	RES FL SET 5M/4K5/500R	VISHAY MANN	SEE DRG	A	S3		
R211	011822	0	RES MF 10K2 1% .12W 50PPH	HOLSWORTHY	HBC	A	EA	1	
R212	011001	0	RES MF 1K00 1% .12W 50PPH	HOLSWORTHY	HBC	A	EA		
R213	090146-1	0	RES FL SET 5M/4K5/500R	VISHAY MANN	SEE DRG	A	S3		
R214	080090-1	0	RES FL 65K07 1% .2PPH	VISHAY MANN	SEE DRG	A	EA	1	
R215	013320	0	RES MF 332R 1% .12W 50PPH	HOLSWORTHY	HBC	A	EA	3	
R216	041005	0	RES MF 10M0 1% .12W 100PPH	TEATITE	MK2	A	EA		
R217	080088-1	0	RES FL 1K446 1% .2PPH	VISHAY MANN	SEE DRG	A	EA	2	
R218	080088-1	0	RES FL 1K446 1% .2PPH	VISHAY MANN	SEE DRG	A	EA		
R219	080089-1	0	RES FL 6K507 1% .2PPH	VISHAY MANN	SEE DRG	A	EA	1	
R220	013320	0	RES MF 332R 1% .12W 50PPH	HOLSWORTHY	HBC	A	EA		
R221	013320	0	RES MF 332R 1% .12W 50PPH	HOLSWORTHY	HBC	A	EA		
R222	012491	0	RES MF 2K49 1% .12W 50PPH	HOLSWORTHY	HBC	A	EA	1	
R223	011501	0	RES MF 1K50 1% .12W 50PPH	HOLSWORTHY	HBC	A	EA	1	
R224	012433	0	RES MF 243K 1% .12W 50PPH	HOLSWORTHY	HBC	A	EA	1	
R301	011008	0	RES MF 10R0 1% .12W 50PPH	HOLSWORTHY	HBC	A	EA	1	
R302	045623	0	RES MF 562K 1% .12W 50PPH	HOLSWORTHY	HBC	A	EA	1	
R303	046013	0	RES MF 681K 1% .12W 50PPH	HOLSWORTHY	HBC	A	EA	1	
R306	050067	0	RES MF 39K 5% .5W 100PPH	PHILIPS	SFR16T-39K-5	A	EA	1	
R307	00000H		NOT FITTED				EA	2	
AN101	090175	0	RES PACK 1K X 4 2%	BECKMAN	LOB-3-1H	A	EA	1	
AN301	090017	0	RES NTKK 100K X 7 2%	BECKMAN	LOB-1-R100K	A	EA	2	
AN302	090131	0	RES PACK 10K X 4 2%	BECKMAN	LOB-3-R10K	A	EA	2	
AN303	090105	0	RES PACK 100R X 4 2%	BECKMAN	LOB-3-R100	A	EA	1	
AN304	090131	0	RES PACK 10K X 4 2%	BECKMAN	LOB-3-R10K	A	EA		
AN305	090168	0	RES PACK 1K X 4 2%	AB	AB-770-83-1K	A	EA	1	
AN306	090168	0	RES PACK 1K X 4 2%	AB	AB-770-83-1K	A	EA	2	
AN307	090168	0	RES PACK 1K X 4 2%	AB	AB-770-83-1K	A	EA		
AN308	090167	0	RES PACK 100K X 4 2%	AB	AB-770-83-100K	A	EA	1	
AN309	090017	0	RES NTKK 100K X 7 2%	BECKMAN	LOB-1-R100K	A	EA		
C101	150020	0	CAP DT 10UF 20% 25V	AVX	TAP10H25F	A	EA	5	
C102	120030-1	0	CAP MF 820NF 5% 63V	ASHCROFT	SEE DRG	A	EA	2	
C103	120030-1	0	CAP MF 820NF 5% 63V	ASHCROFT	SEE DRG	A	EA		
C104	120013	0	CAP PC 150nF 10% 63V	ASHCROFT	M2B15101B	A	EA	2	
C105	120013	0	CAP PC 150nF 10% 63V	ASHCROFT	M2B15101B	A	EA		
C106	120016	0	CAP PC 2N2F 20% 100V	WIMA	FKC2	A	EA	2	
C107	110050	0	CAP PE 22NF 10% 63V	WIMA	HKS4	A	EA	1	
C108	140079	0	CAP PP 312F 5% 63V	WIMA	FKP2	A	EA	1	
C109	110042	0	CAP PE 100NF 20% 63V	WIMA	HKS2	A	EA	4	
C110	110042	0	CAP PE 100NF 20% 63V	WIMA	HKS2	A	EA		

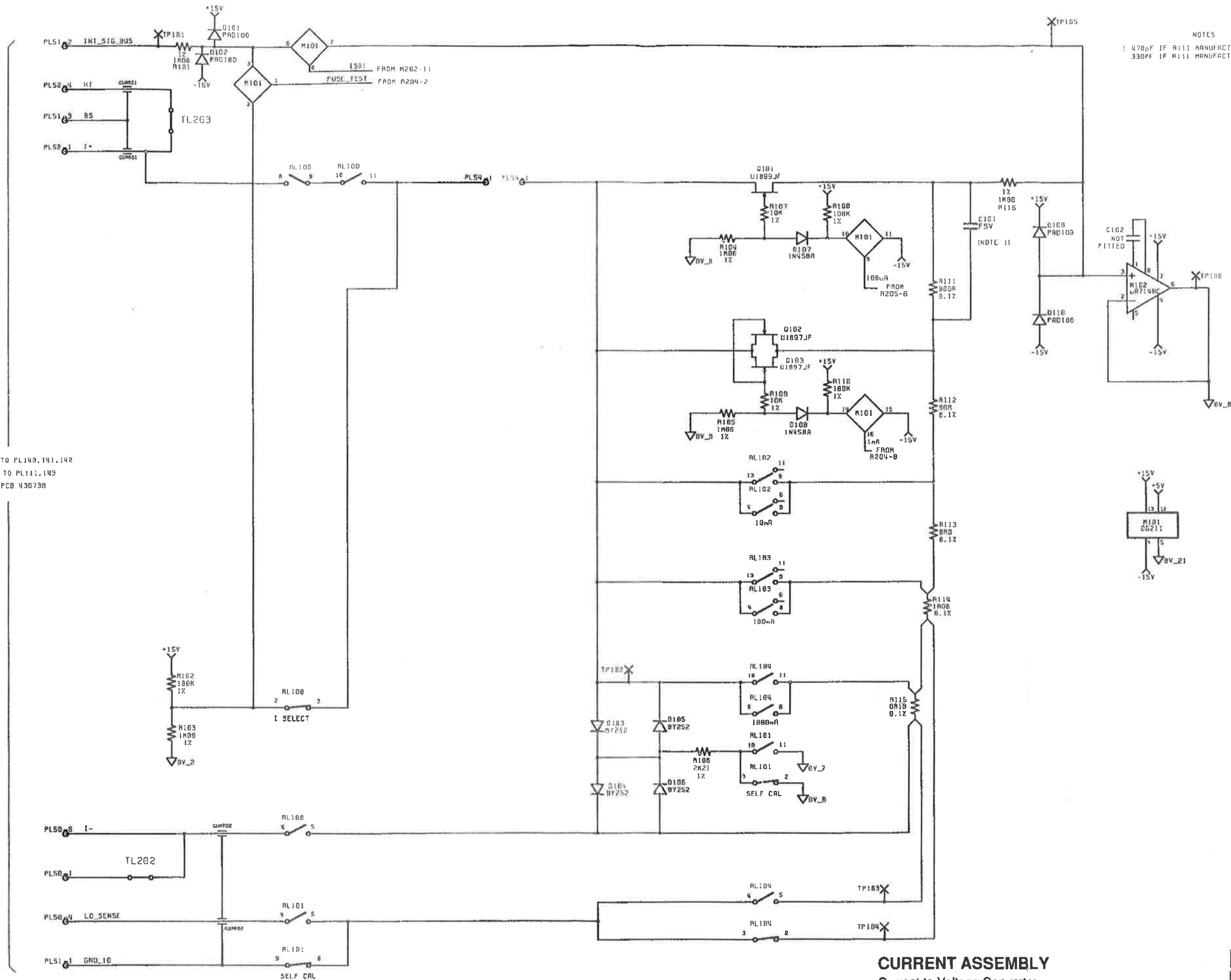
DESIG	PART NO	RV	DESCRIPTION	PRINC MANUF	MANUF PART NUMBER	CLASS	UM	QUANTITY	CHANGES
C111	120016	0	CAP PC 2N2F 20% 100V	WIMA	FKC2	A	EA	1	
C112	110058	0	CAP PE 68NF 10% 63V	WIMA	HKS2	A	EA		
C113	150020	0	CAP DT 10UF 20% 25V	AVX	TAP10H25F	A	EA		
C114	150020	0	CAP DT 10UF 20% 25V	AVX	TAP10H25F	A	EA		
C202	140077	0	CAP PP 100PF 5% 100V	WIMA	FKP2	A	EA	1	
C203	110042	0	CAP PE 100NF 20% 63V	WIMA	HKS2	A	EA		
C204	110042	0	CAP PE 100NF 20% 63V	WIMA	HKS2	A	EA		
C205	120021	0	CAP PC 470NF 10% 63V	ASHCROFT	A2B4711B	A	EA	3	
C206	120021	0	CAP PC 470NF 10% 63V	ASHCROFT	A2B4711B	A	EA		
C207	120021	0	CAP PC 470NF 10% 63V	ASHCROFT	A2B4711B	A	EA		
C208	104025	0	CAP CD 100UF +80% -20% 50V	SIEMENS	B37449	A	EA	1	
C209	180060	0	CAP AE 10UF 50V	PHILIPS	035-9R008	A	EA	1	
C210	150020	0	CAP DT 10UF 20% 25V	AVX	TAP10H25F	A	EA		
C211	150020	0	CAP DT 10UF 20% 25V	AVX	TAP10H25F	A	EA		
C212	120027	0	CAP PC 1NF 20% 100V	WIMA	FKC2	A	EA	1	
C301	150024	0	CAP DT 47UF 20% 16V	AVX	TAP47M16F	A	EA	1	
C303	00000H		NOT FITTED				EA		
D101	200001	0	DIODE GP 75mA 75V	FAIRCHILD	1H414B	A	EA	2	
D102	213028	0	DIODE ZH 6V2 5W	MOTOROLA	1H5341	A	EA	1	
D103	210062	0	DIODE ZH 6V2 400mW	PHILIPS	BZX79C6V2	A	EA	2	
D104	210062	0	DIODE ZH 6V2 400mW	PHILIPS	BZX79C6V2	A	EA		
D106	200028	0	DIODE SB 1A 30V	INT RECTIFIERS	11DQ04	A	EA	1	
D107	213031	0	DIODE ZH 13V 5W	MOTOROLA	1H5350	A	EA	2	
D108	213031	0	DIODE ZH 13V 5W	MOTOROLA	1H5350	A	EA		
D109	200008	0	DIODE GP 200mA 125V	ITT	1T7923	A	EA	2	
D110	210056	0	DIODE ZH 5V6 400mW	PHILIPS	BZX79C5V6	A	EA	1	
D111	210110	0	DIODE ZH 11V 400mW	PHILIPS	BZX79C11	A	EA	1	
D2C1	210027	0	DIODE ZH 2V7 400mW	PHILIPS	BZX79C2V7	A	EA	1	
D2C2	210075	0	DIODE ZH 7V5 400mW	PHILIPS	BZX79C7V5	A	EA	1	
D2C3	200008	0	DIODE GP 200mA 125V	ITT	1T7923	A	EA		
D2C4	210047	0	DIODE ZH 4V7 400mW	PHILIPS	BZX79C4V7	A	EA	1	
D2C5	210082	0	DIODE ZH 8V2 400mW	PHILIPS	BZX79C8V2	A	EA	1	
D3C1	213006	0	DIODE ZH 5V 5W	UNITRODE	TVS505	A	EA	1	
D3C2	21110C	0	DIODE ZH 10V 1.3W	PHILIPS	BZV85C10	A	EA	1	
D3C3	200002	0	DIODE GP 1A 50V	FAIRCHILD	1H4001	A	EA	1	
D3C4	200001	0	DIODE GP 75mA 75V	FAIRCHILD	1H414B	A	EA		
Q101	230027-1	0	TRAN JFET N-CHAN 60V	DATRON	SEE DRG	A	EA	6	
Q102	230002	0	TRAN JFET N-CHAN	SILICONIX	J304	A	EA	6	
Q103	230002	0	TRAN JFET N-CHAN	SILICONIX	J304	A	EA		
Q104	230023	0	TRAN JFET N-CHAN DUAL	SILICONIX	U401	A	EA	1	
Q105	230055	0	TRAN JFET I LIM 430uA	SILICONIX	J502	A	EA	1	
Q106	230027-1	0	TRAN JFET N-CHAN 60V	DATRON	SEE DRG	A	EA		
Q107	240009	0	TRAN MPN T018	NATIONAL	MPSL01/2H5550	A	EA	2	
Q108	240006	0	TRAN MPN T092	MOTOROLA	2H3904	A	EA	3	
Q110	240009	0	TRAN MPN T018	NATIONAL	MPSL01/2H5550	A	EA		

DESIG	PART NO	RV	DESCRIPTION	PRINC MANUF	MANUF PART NUMBER	CLASS UN	QUANTITY	CHANGES
Q111	230027-1	0	TRAN JFET N-CHAN 60V	DATRON	SEE DRG	EA		
Q112	230027-1	0	TRAN JFET N-CHAN 60V	DATRON	SEE DRG	EA		
Q113	240006	0	TRAN NPN TO92	MOTOROLA	2H3904	EA		
Q114	230027-1	0	TRAN JFET N-CHAN 60V	DATRON	SEE DRG	EA		
Q115	230074	0	TRAN JFET N-CHAN	SILICONIX	J271	EA		
Q116	230042	0	TRAN JFET 1 LIN 3&A	SILICONIX	J505	EA	1	
Q201	230002	0	TRAN JFET N-CHAN	SILICONIX	J304	EA		
Q202	230002	0	TRAN JFET N-CHAN	SILICONIX	J304	EA		
Q203	230002	0	TRAN JFET N-CHAN	SILICONIX	J304	EA		
Q204	230027-1	0	TRAN JFET N-CHAN 60V	DATRON	SEE DRG	EA		
Q205	230027-1	0	TRAN JFET N-CHAN 60V	DATRON	SEE DRG	EA		
Q206	230002	0	TRAN JFET N-CHAN	SILICONIX	J304	EA		
Q207	230027-1	0	TRAN JFET N-CHAN 60V	DATRON	SEE DRG	EA		
Q208	240006	0	TRAN NPN TO92	MOTOROLA	2H3904	EA		
Q302	230086	0	TRAN MOSFET P-CHAN 60V	FERRANTI	ZVP2106A	EA	1	
Q303	240029	0	TRAN NPN	MOTOROLA	BC546	EA	1	
H101	280167	0	IC DIG SWITCH QUAD CHDS	SILICONIX	DC211CJ	EA	3	
H102	280073	0	IC LIN OP AMP	NATIONAL	LF411CN	EA	1	
H103	280083	0	IC LIN OP AMP CHOPPER	LINEAR TECHNOLOGY	LTC1052CN	EA	1	
H104	280087	0	IC LIN OP AMP BIFET	MOTOROLA	MC34081P	EA	1	
H201	280167	0	IC DIG SWITCH QUAD CHDS	SILICONIX	DC211CJ	EA		
H202	280167	0	IC DIG SWITCH QUAD CHDS	SILICONIX	DC211CJ	EA		
H203	280082	0	IC LIN OP AMP CHOPPER	LINEAR TECHNOLOGY	LTC1052CN8	EA	1	
H204	280072	0	IC DIG MULTIVIB/ASTABLE	NATIONAL	CD4047BCN	EA	1	
H301	280132	0	IC DIG ULA SERIAL TX/RX	PLESSEY	CLA3106	EA	1	
H302	290077	0	IC DIG 7 X DARLINGTON DRIVER	SPRAGUE/EXAR	UGH2004A/XR2204CP	EA	1	
H303	280091	0	IC LIN COMP QUAD	NATIONAL	LM339	EA	1	
H304	280148	0	IC DIG DECODER 3 TO 8 LINE	TEXAS	74HC138	EA	1	
H305	280023	0	IC DIG NOR2 GUM	MOTOROLA	MC140010BCP	EA	1	
H306	280085	0	IC DIG QUAD 2 I/P AND	MOTOROLA	MC14081BCP	EA	1	
RL101	330029	0	RELAY 2P2W	SDS	DS2E-DC24V	EA	3	
RL102	330031	0	RELAY 2P2W 2PNC	SDS	52-24V	EA	1	
RL103	330029	0	RELAY 2P2W	SDS	DS2E-DC24V	EA	1	
RL104	330046	0	RELAY SP2D 24V REED	HAMLIN	HE721C 24/10	EA	1	
RL105	330029	0	RELAY 2P2W	SDS	DS2E-DC24V	EA	1	
RL201	330047	0	RELAY SP2D 24V REED	HAMLIN	HE721A 24/10	EA	1	
PL40	604675	0	PLUG PCB 6-WAY .1"	MOLEX	22-29-2061	EA	1	
PL41	604074	0	PLUG PCB 3-WAY .1"	MOLEX	22-29-3031	EA	1	
PL42	604033	0	PLUG PCB 4-WAY .1"	MOLEX	22-29-2041	EA	1	
PL43	604076	0	PLUG PCB 16-WAY .1" X 1" GRID	JH	3599-6002 UN	EA	1	
TP101	620007	0	TEST POINT TERMINAL	MICROVAX	TYPE C30	EA	10	
TP102	620007	0	TEST POINT TERMINAL	MICROVAX	TYPE C30	EA	1	
TP201	620007	0	TEST POINT TERMINAL	MICROVAX	TYPE C30	EA	1	
TP202	620007	0	TEST POINT TERMINAL	MICROVAX	TYPE C30	EA	1	
TP203	620007	0	TEST POINT TERMINAL	MICROVAX	TYPE C30	EA	1	

DESIG	PART NO	RV	DESCRIPTION	PRINC MANUF	MANUF PART NUMBER	CLASS UN	QUANTITY	CHANGES
TP301	620007	0	TEST POINT TERMINAL	MICROVAX	TYPE C30	EA	1	
TP302	620007	0	TEST POINT TERMINAL	MICROVAX	TYPE C30	EA	1	
TP303	620007	0	TEST POINT TERMINAL	MICROVAX	TYPE C30	EA	1	
TP304	620007	0	TEST POINT TERMINAL	MICROVAX	TYPE C30	EA	1	
TP305	620007	0	TEST POINT TERMINAL	MICROVAX	TYPE C30	EA	1	
410366-1	0	PCB OHMS 1281			SEE DRG	EA	1	
312999	0	WIRE 7/2 PTFE 1KV WHI	BSG210		TYPE C	AR	1	
605059	0	SOCKET PCB 8-WAY DIL	JERMYN	J23-18008		A	EA	2
605060	0	SOCKET PCB 14-WAY DIL	JERMYN	J23-18014		A	EA	4
605061	0	SOCKET PCB 16-WAY DIL	JERMYN	J23-18016		A	EA	5
605062	0	SOCKET PCB 18-WAY DIL	JERMYN	J23-18018			EA	1
617014	0	NYLATCH PLUNGER 1/4"	HARTWELL (C.J. FOX)	HW49-43			EA	5
617015	0	NYLATCH CROWT 1/4"	HARTWELL (C.J. FOX)	HW49-43			EA	5
630243	0	BEAD GLASS 2.4 X 0.81 X 1.8	MANCOL (PREFORMS) LT	M3363B/3			EA	20
630024	0	BEAD CERAMIC 16 SWG	PARK ROYAL PORCELAIN	No2			EA	28
400753-1	0	ASSY CABLE SIG IP 1281	DATRON	SEE DRG			EA	1
400757-1	0	ASSY CABLE RIBBON 16W	DATRON	SEE DRG			EA	1
540001	0	WIRE 1/.36 Tinned COPPER		2456C			AR	1
540005	0	WIRE 1/.4 BLACK PTFE 250V	BSG210	TYPE A			AR	1
590004	0	SLEEVE PTFE 3mm BLK	HELLERMAN	FE10			AR	1
613017	0	WASHER M3 NYL.					EA	1







PL58, S1, S2 TO PL140, 141, 142
 E101, 102 TO PL111, 119
 DC PCB 430730

NOTES
 1 470pF IF R111 MANUFACTURED BY MANN
 330PF IF R111 MANUFACTURED BY KELVIN

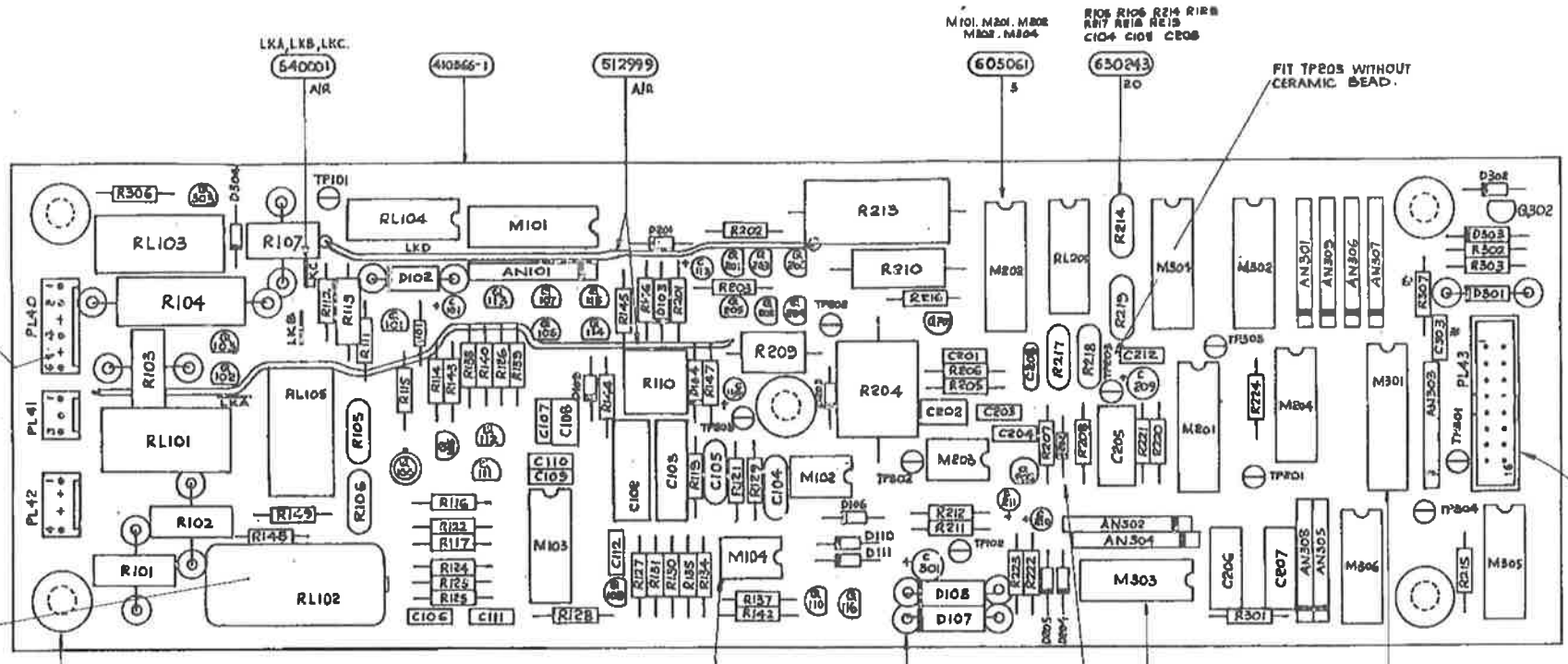
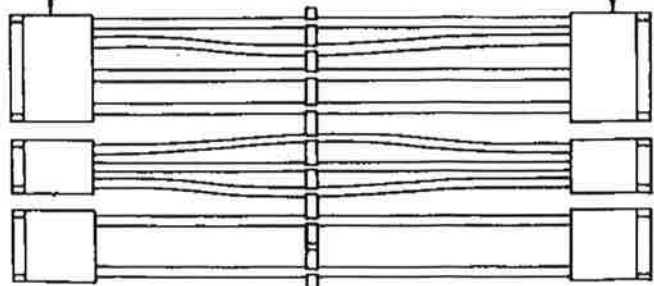
CURRENT ASSEMBLY
 Current to Voltage Converter
 Drawing No. 430743 Sheet 1 of 2

REMOVE PINS SHOWN THIS: *

FIX SERIAL NP LABEL 470098 TO RL102.

400753 FITTED AFTER FLOW SOLDERING.

PLUG THIS END INTO COMPLETED ASSY



M101, M201, M202, M203, M204
R105, R106, R214, R128
R117, R118, R119
C104, C105, C208

FIT TPE03 WITHOUT CERAMIC BEAD.

* COMPONENT NOT FITTED

605059 M202, M104

605024 2 PER LEAD ON R101, R102, R103, R107, R104
1 PER LEAD ON D102, D107, D108, D101.

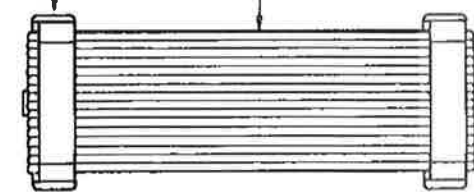
FORM D202 ANODE INTO TEST LOOP BEFORE FITTING

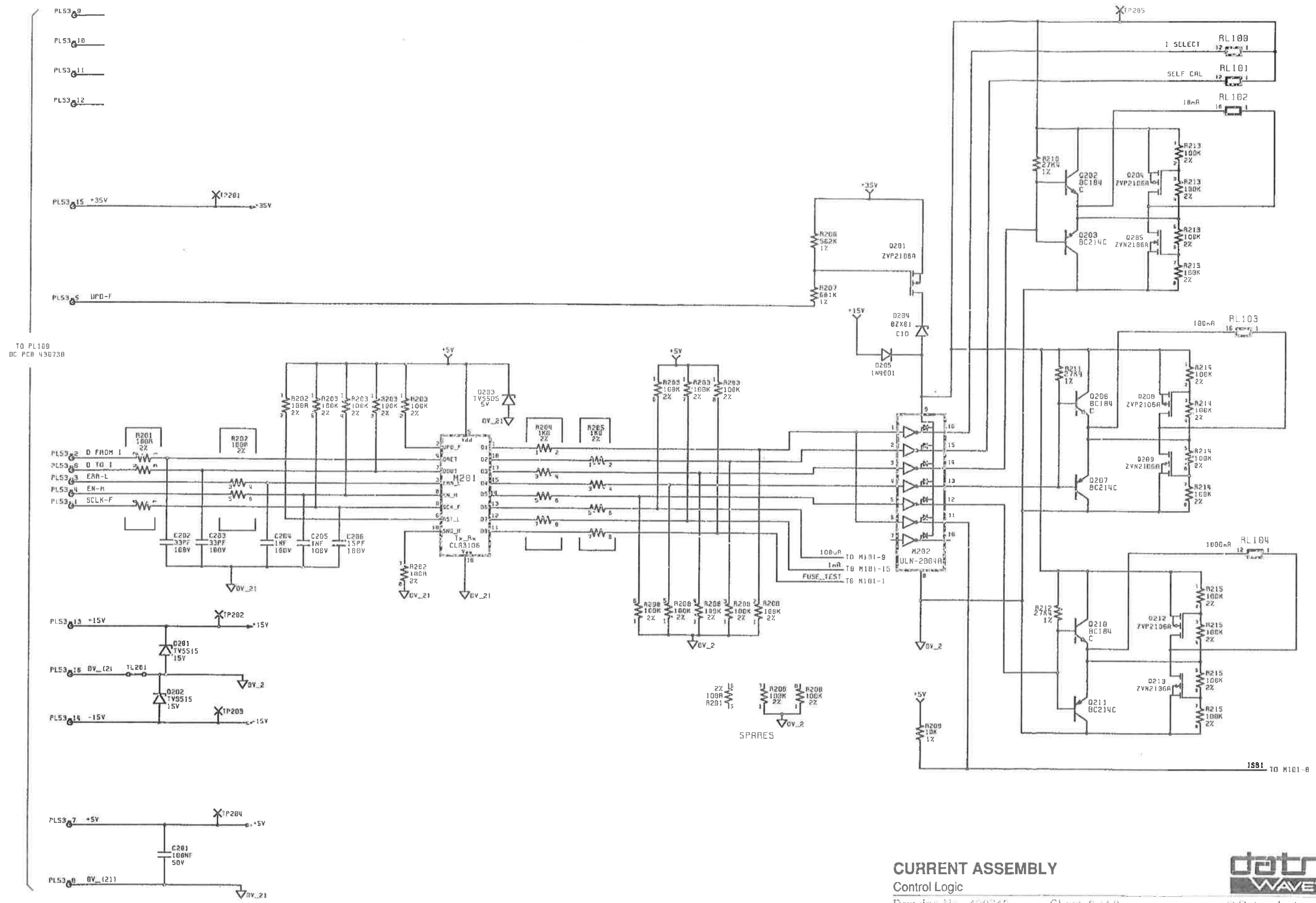
605060 M203, M204, M205, M206.

605062

PLUG THIS END INTO COMPLETED ASSY.

400757 FITTED AFTER FLOW SOLDERING.





TO PL109
DC PCB 43073B

CURRENT ASSEMBLY
Control Logic
Drawing No. 430743

Sheet 2 of 2

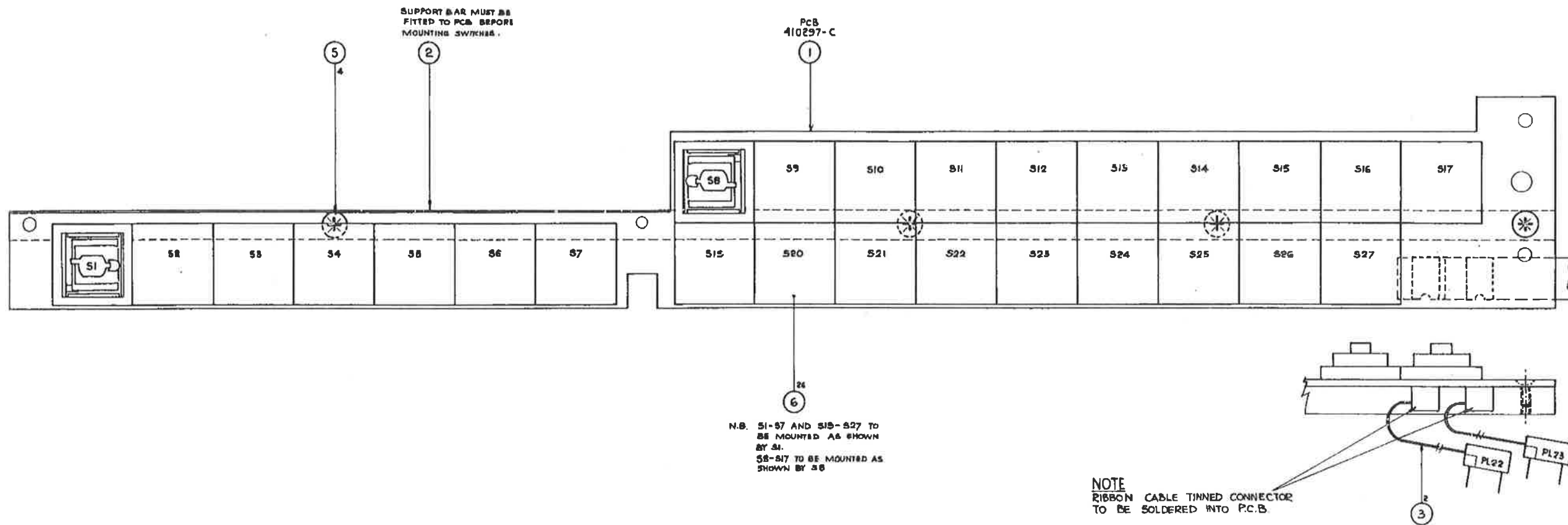


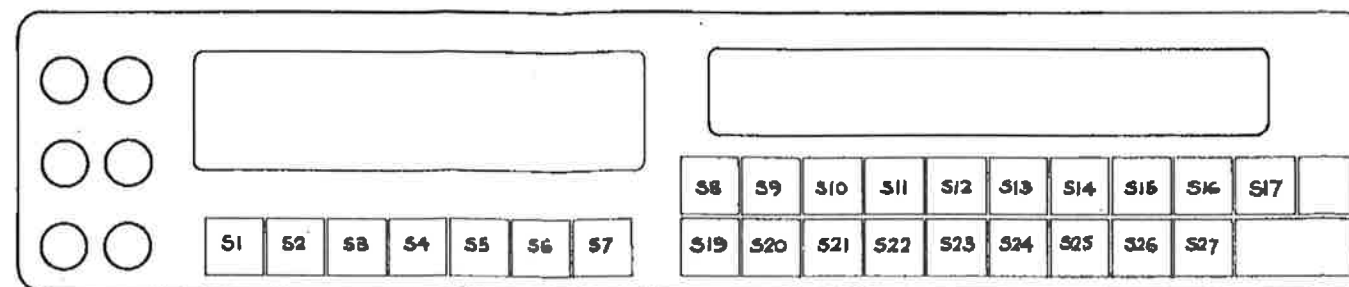
© Datron Instruments 1989

1271



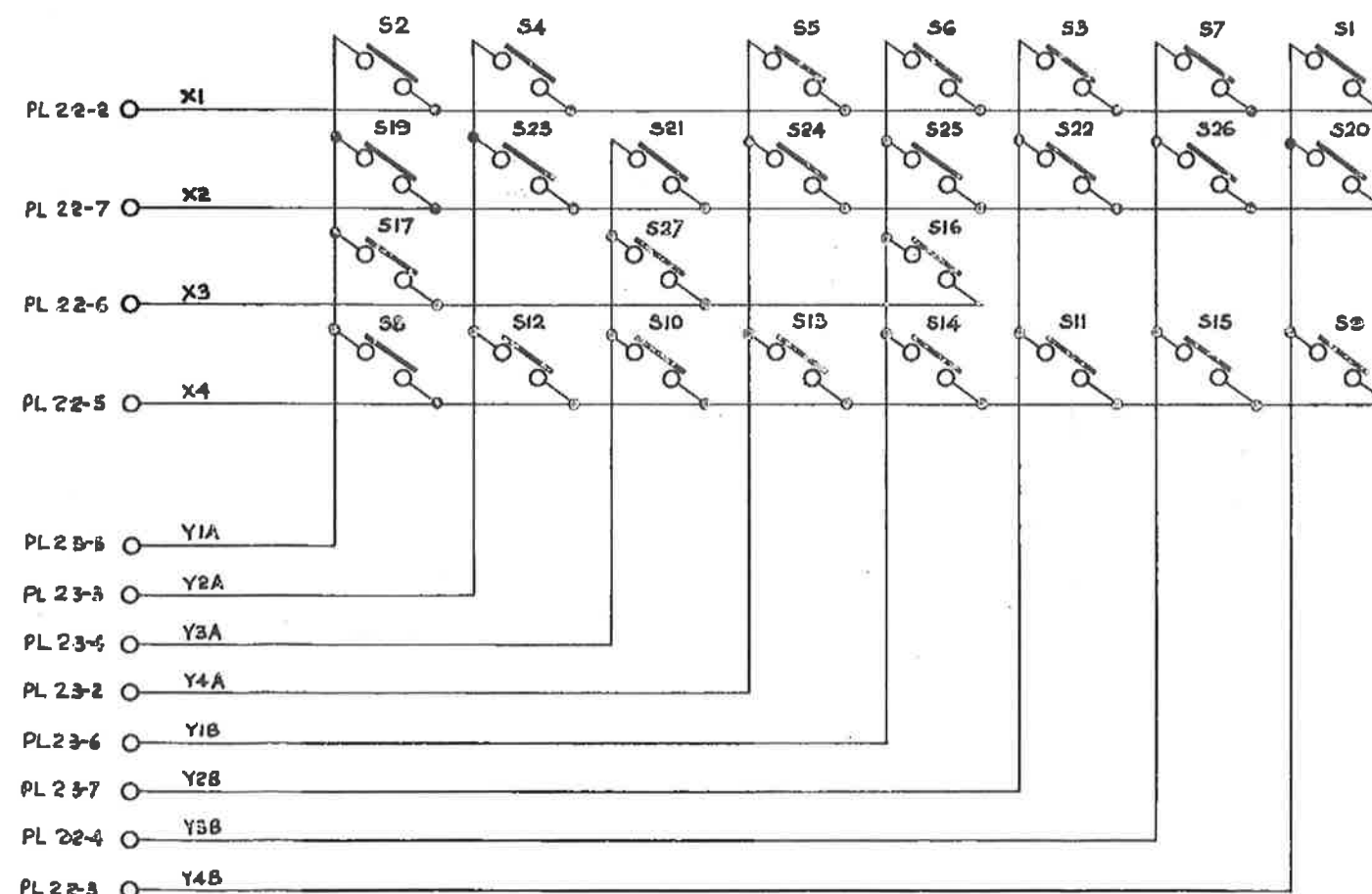






FRONT PANEL SWITCH LAYOUT.

- PL 22-1 ○ SPARE
- PL 22-8 ○ SPARE
- PL 23-1 ○ SPARE
- PL 23-8 ○ SPARE



KEY N°	KB4-KBØ	KEY N°	KB4-KBØ
1	1C	17	Ø2
2	ØØ		
3	1A	19	Ø1
4	Ø4	20	1D
5	ØC	21	Ø5
6	1Ø	22	15
7	1B	23	Ø5
8	Ø3	24	ØD
9	1F	25	11
10	ØB	26	19
11	17	27	ØA
12	Ø7		
13	ØF		
14	13		
15	1B		
16	12		

* FOR KBØ-KB5 REFER TO 400739

KB5 IS A LOGIC '1' WHILE A VALID KEY IS HELD. THE KEY ENCODER OUTPUT ALWAYS INDICATES THE LAST VALID KEY ON KB4-KBØ.

SWITCH ASSEMBLY

Front Panel Switch Matrix

Drawing No. 430744

Sheet 1 of 1



© Datron Instruments 1989





Datron Sales and Service Representatives Worldwide

COUNTRY and REPRESENTATIVE	Telephone	Telex	Fax
AUSTRALIA Scientific Devices Pty. Ltd 2 Jacks Road, South Oakleigh, Victoria 3167	3 579 3622	AA32742	3 579 0971
AUSTRIA Walter Rekirsch Elektronisch Geraete GmbH & Co. Obachgasse 28, A-1220 Wien	222 253626	134759	222 2572 75
BELGIUM Air-Parts International B. V. Avenue Huart-Hamoir, 1-Box 19, 1030 Bruxelles	2 241 6460	25146 AP1 B	2 241 8130
BRAZIL Comercial Goncalves Rua Deocleciana, 77, Cep 01106 Ponte Pequena, Sao Paulo SP	11 2294044	22104 34272	---
CHINA Tianjin Zhong Huan Scientific Instruments Corp. No. 59 Zhao Jia Chang Street, Hong Qiao Section, Tianjin	Tianjin 251941	----	----
DENMARK Instrutek A/S, Christiansholmsgade 8700 Horsens	5 611100	61656	5 615 658
EASTERN EUROPE Amtest Associates Ltd Amtest House, 75-79 Guildford Street, Chertsey, Surrey KT16 9AS, England	0932 568355	928855	0932 561919
EGYPT & MIDDLE EAST EPIC 20-22 Ashmoun St, PO Box 2682, Horriya, Heliopolis	2 661767 2 669861	23033 CHAKA UN 23315 EPIC UN	2 662839 2 668924
FINLAND Profelec OY PO Box 67, 00421 Helsinki 42	0 566 4477	125225 PROFE SF	0 566 2998

COUNTRY and REPRESENTATIVE	Telephone	Telex	Fax
FRANCE			
M. B. Electronique 606 Rue Fourny, Zi de Buc, 78530 Buc	1 39 568131	695414	1 39 565344
WEST GERMANY			
Wavetek Electronics GmbH Hans-Pinsel Strasse 9-10, 8013 Haar bei München	89 461090	841 5211296 WVTKD	89 463223
GREECE			
American Technical Enterprises SA PO Box 3156, 48 Patission Street, Athens 147	1 8219470	216046 ATE GR	----
HONG KONG			
Eurotherm (Far East) Ltd 21/F Kai Tak Commercial Building 317-321 Des Voeux Road C, Hong Kong	5 411268	72449 EFELD HX	5 8151540
INDIA			
Technical Trade Links 42, Navketan Estate, Mahakali Caves Road, Andheri (East), Post Box No. 9447, Bombay 400 093	22 6322412	11 79261 TTL IN	9122 634 2204
IRELAND			
Euro Instruments & Electronics Euro House, Swords Road, Santry, Dublin 9	0001 425 666	318121	0001 425 497
ISRAEL			
Racom Electronics Co. Ltd 7 Kehilat Salomiki St., P. O. Box 21120, Tel-Aviv 61210	3 491922	33808 RACEL IL	3 491 576
ITALY(1)			
Sistrel SPA Via Pellizza da Volpedo 59 20092 Cinisello Balsamo, Milano	02 618 1893	334643	02 618 2440
ITALY(2)			
Sistrel SPA Viale Eraminio Spalla 41 00142 Roma	06 504 0273	625857	06 504 0067
ITALY(3)			
Sistrel SPA Via Cintia Parco S. Paolo 35 80126 Napoli	081 767 9700	----	081 766 1361
JAPAN			
G & G Japan Inc No. 406, 12-14, 4-Chome, Hongoh, Bunkyo-ku, Tokyo	3 8130971	2722884 ICHAIN J	3 8159216
KOREA			
Sama Trading Corporation CPO Box 2447, Seoul	2 733 9336	K26375 SAMATR	2 733 8481

COUNTRY and REPRESENTATIVE	Telephone	Telex	Fax
MALAYSIA			
Mecomb Singapore Ltd One Darby Centre, 95 Dunearn Road, 04-2 Singapore 2158	469 8833	RS 23178	467 1905
NETHERLANDS			
Air Parts International BV PO Box 255, 12 Kalkovenweg, 2400 AG Alphen aan den Rijn	1720 43221	39564	1720 20651
NEW ZEALAND			
G. T. S. Engineering Ltd 5 Porters Avenue, Eden Terrace, PO Box 9613 Newmarket AUCKLAND	9 392 464	9 392 968
NORWAY			
Morgensterne & Co. Konghellegaten 3/5, 0569 Oslo 5	2 356110	71 719 MOROF	2 381457
PORTUGAL			
Decada-Espectral Av. Bombeiros Voluntarios, Lote 102b Miraflores/Algee 1495 Lisboa	1 4103420	15515 ESPEC P	1 4101844
SINGAPORE			
Mecomb Singapore Ltd One Darby Centre, 95 Dunearn Road, 04-2 Singapore 2158	469 8833	RS 23178	467 1905
SOUTH AFRICA			
Altech Instruments (Pty) Ltd PO Box 39451, Wynberg 2018	11 887 7455	422033	-----
SPAIN			
ESSA (Equipos y Systemas SA) C/Apolonio Morales 13-B, Madrid 16	1 458 0150	831 42856
SWEDEN			
Ferner Electronics AB Snormakarvagen 35, Box 125, S-16126 Stockholm-Bromma	8 802540	10312 FERNER S	8 250226
SWITZERLAND			
Kontron Electronic AG Bernerstrasse-Stud 169, 8048 Zurich	1 435 4111	822196 + KOEL CH	1 432 2464
TAIWAN			
Evergo Corporation Room A, 9th Floor, 305 Section, 3 Nan King East Road, P. O. Box 96-546, Taipei	2 7150283/4/5	27027 EVERGOEC	2 7122466

COUNTRY and REPRESENTATIVE	Telephone	Telex	Fax
UNITED KINGDOM			
Datron Instruments Ltd Hurricane Way, Norwich Airport, Norwich, Norfolk NR6 6JB, England	0603 404824	975173	0603 483670
UNITED STATES of AMERICA			
Datron Instruments Inc c/o Wavetek RF Products Inc. 5808 Churchman Bypass, Indianapolis, Indiana 46203	(317) 787 3915	TWX (810) 341 3226	(317) 788 5999
Wavetek Northeast Area Sales 1 Executive Blvd. Suite 206, Suffern New York 10901	(914) 357 5544	----	(914) 357 5609
Wavetek Western Area Sales 9045 Balboa Avenue, San Diego, California 92123	(619) 565 9234	TWX (910) 335 2007	(619) 565 9558

For customers in countries not listed please contact DATRON INSTRUMENTS in the United Kingdom:

Datron Instruments Ltd Hurricane Way, Norwich Airport, Norwich, Norfolk NR6 6JB, England	0603 404824	975173	0603 483670
---	-------------	--------	-------------

DATRON INSTRUMENTS FAILURE REPORT.

Please complete all sections and return with your instrument.

Company:
Division: Department/Mail Stop
User, Name: Telephone Ext
Serial number:
Datron Return Authorisation number Date of failure

Brief description of fault:
.....
.....
.....
.....

Fault details:

is the fault present on all ranges? Yes No Not Applicable

if no describe:

is the fault present on all functions? Yes No Not Applicable

is the fault: Permanent Intermittent

if intermittent under what conditions does the fault re-appear

Does the instrument pass 'self test?' Yes No

Any fail/error message displayed:

Now: Yes No if yes describe

At the time of fault: Yes No

if yes describe

Prior to fault: Yes No

if yes describe

Is the instrument used on I.E.E 488 bus? Yes No

Is the instrument normally enclosed in a rack? Yes No

Approximate ambient temperature

TERMS AND CONDITIONS OF SALE

1. GENERAL

The acceptance of a quotation, of any goods supplied, advice given or service rendered includes the acceptance of the following terms and conditions and no variation of or addition to the same shall be binding upon us unless expressly agreed in writing by us. Any order shall be subject to our written acceptance.

2. QUOTATION

Unless previously withdrawn our quotation is open to acceptance in writing within the period stated or where no period is stated within thirty (30) days after its date. We reserve the right to correct any errors or omissions in our quotation. Unless otherwise stated all quotations are firm and fixed. The prices quoted are based on manufacture of the quantity and type ordered and are subject to revision when interruptions, engineering changes or changes in quantity are caused or requested by the customer.

3. LIABILITY FOR DELAY

Any delivery times quoted are from the date of our written acceptance of any order and on receipt of all information and drawings to enable us to put the work in hand. Where delivery is to take place by instalments each such instalment shall constitute a separate contract. We will use our best endeavours to complete delivery of the goods or services in the period stated but accept no liability in damages or otherwise for failure to do so for any cause whatsoever. In all cases of delay the delivery time shall be extended by reasonable period having regard to the cause of delay.

4. PAYMENT

Payment shall be made net cash within thirty (30) days of delivery or in accordance with the payment terms set out in the quotation. Unless specifically stated to the contrary payment shall be in pounds sterling. In the event of any payment to us being overdue we may without prejudice to any other right suspend delivery to you or terminate the contract and/or charge you simple interest on overdue amounts at the rate of 2.5% above the ruling Bank of England Minimum Lending Rate. No payment to us shall in any circumstance be offset against any sum owing by us to you whether in respect of the present transaction or otherwise.

5. INSPECTION & TEST

All goods are fully inspected at our works and where practicable subjected to our standard tests before despatch. If tests are required to be witnessed by your representative notice of this must be given at the time of placing the order and notice of readiness will then be given to you seven (7) days in advance of such tests being carried out. In the event of any delay on your part in attending such tests or in carrying out inspection by you after seven (7) days notice of readiness the tests will proceed in your absence and shall be deemed to have been made in your presence and the inspection deemed to have been made by you. In any event you shall be required promptly after witnessing a test or receiving test results of witnessed or unwitnessed tests to notify us in writing of any claimed defects in the goods or of any respect in which it is claimed that the goods do not conform with the contract. Before you become entitled to reject any goods we are to be given reasonable time and opportunity to rectify them. You assume the responsibility that the goods stipulated by you are sufficient and suitable for your purpose and take all steps to ensure that the goods will be safe and without risk to health when properly used. Any additional certification demanded may incur extra cost for which a special quotation will be issued.

6. DELIVERY AND PACKING

All shipments are, unless otherwise specifically provided, Ex-works which is the address given on the invoice. An additional charge will be made for carriage and insurance as necessary with the provision that all shipments shall be insured and this insurance expense shall be paid by the purchaser. Where special domestic or export packing is specified a charge will be made to cover the extra expense involved.

7. DAMAGE IN TRANSIT

Claims for damage in transit or loss in delivery of the goods will only be considered if the carriers and ourselves receive notice of such damage within seven (7) days of delivery or in the event of loss of goods in transit within fourteen (14) days of consignment.

8. TRANSFER OF PROPERTY & RISK

Title and property of the goods shall pass when full payment has been received of all sums due to us whether in respect of the present transaction or not. The risk in the goods shall be deemed to have passed on delivery.

9. WARRANTY

We agree to correct, either by repair, or at our election, by replacement, any defects of material or workmanship which develop within the warranty period specified in the sales literature or quotation after delivery to the original purchaser. All items claimed defective must be promptly returned to us carriage paid unless otherwise arranged and will be returned to you free of charge. Unless otherwise agreed no warranty is made concerning components or accessories not manufactured by us. We will be released from all obligations under warranty in the event of repairs or modifications made by persons other than our own authorised service personnel unless such repairs are made with our prior written consent.

10. PATENTS

We will indemnify you against any claim of infringement of Letters Patent, Registered Design, Trade Mark or Copyright (published at the date of the contract) by the use or sale of any goods supplied or service rendered by us to you and against all costs and damages which you may incur and for which you may become liable in any action for such infringement. Provided always that this indemnity shall not apply to any infringement which is due to our having followed a design or instruction furnished or given by you or to the use of such goods or service in association or combination with any other article, material or service not supplied by us. This indemnity is conditional on your giving to us the earliest possible notice in writing of any claim being made or action threatened or brought against you and on your permitting us at our own expense to conduct litigation that may ensue and all negotiations for a settlement of the claim or action. You on your part warrant that any design or instruction furnished or given by you shall not cause us to infringe any Letter Patent, Registered Design, Trade Mark or Copyright in the execution of your order.

11. DOCUMENTATION

All drawings, plans, designs, software specifications, manuals and technical documents and information supplied by us for your use or information shall remain at all times our exclusive property and must not be copied, reproduced, transmitted or communicated to a third party without our prior written consent.

12. FRUSTRATION

If any contract or any part of it shall become impossible of performance or otherwise frustrated we shall be entitled to a fair and reasonable proportion of the price in respect of the work done up to the date thereof. For this purpose any monies previously paid by you shall be retained against the sum due to us under this provision. We may dispose of the goods as we think fit due allowance being made to you for the net proceeds thereof.

13. BANKRUPTCY

If the purchaser shall become bankrupt or insolvent, or being a Limited Company commence to be wound up or suffer a Receiver to be appointed, we shall be at liberty to treat the contract as terminated and be relieved of further obligations. This shall be without prejudice to our right to claim for damages for breach of contract.

14. LEGAL INTERPRETATION

Any contract will be deemed to be made in England and shall be governed and construed for all purposes and in all respects in accordance with English Law and only the Courts of England shall have jurisdiction.

